

## Mounting base housing - EH 90 F-B/ABS BK9005 - 2200664

Please be informed that the data shown in this PDF Document is generated from our Online Catalog. Please find the complete data in the user's documentation. Our General Terms of Use for Downloads are valid (<http://phoenixcontact.com/download>)




DIN rail housing, Lower housing part with base latch, flat design, width: 90.1 mm, height: 75 mm, depth: 30.3 mm, color: black (9005)

### Your advantages

- ✓ DIN rail or wall mounting for application-specific device attachment
- ✓ Easy design-in, thanks to variable housing form factor
- ✓ Complete flexibility, thanks to PCBs with horizontal, frontal, and orthogonal orientation to the front of the device
- ✓ Three cover versions for individual PCB connections
- ✓ Integration of a wide variety of PCB connection technologies for a functional device design



### Key Commercial Data

Packing unit	10 pc
Minimum order quantity	10 pc
GTIN	 4 046356 911139
GTIN	4046356911139

### Technical data

#### Item properties

Brief article description	Mounting base housing
Type	EH 90 F-B/ABS BK9005
Order No.	2200664
Housing type	DIN rail housing
Housing series	EH
Type	Lower housing part with base latch, flat design
Max. IP code to attain	IP20
Mounting type	DIN rail mounting/wall mounting (with optional base latch)
Ventilation openings present	no

#### Dimensions

# Mounting base housing - EH 90 F-B/ABS BK9005 - 2200664

## Technical data

### Dimensions

Width [ w ]	90.1 mm
Height [ h ]	75 mm
Depth [ d ]	30.3 mm
Depth from top edge of DIN rail to support point on upper part [ d ]	26 mm

### Material data

Housing material	ABS
Color (RAL)	black (9005)
Flammability rating according to UL 94	HB

### Ambient conditions

Ambient temperature (storage/transport)	-40 °C ... 55 °C
Ambient temperature (assembly)	-5 °C ... 80 °C
Ambient temperature (operation)	-40 °C ... 80 °C (depending on power dissipation)

### PCB data

PCB thickness	1.4 mm ... 1.8 mm
Mounting position	Vertical (horizontal DIN rail)
Type of PCB mount	Latching

### Mechanical strength/tumbling barrel

Specification	IEC 60998-1:2002-12
Height of fall	50 cm
Number of drop cycles	10

### Vibration test

Specification	IEC 60068-2-6:2007-12
Frequency	10 - 150 - 10 Hz
Sweep speed	1 octave/min
Amplitude	0.15 mm (10 - 58.1 Hz)
Acceleration	2g (58.1 - 150 Hz)
Test duration per axis	2.5 h
Test directions	X-, Y- and Z-axis

### Shock

Specification	IEC 60068-2-27:2008-02
Pulse shape	Half-sine
Acceleration	15g
Shock duration	11 ms
Number of shocks per direction	3
Test directions	X-, Y- and Z-axis (pos. and neg.)

### Thermostability (Ball Thrust Test)

Specification	IEC 60695-10-2:2014-02
Temperature	80 °C

# Mounting base housing - EH 90 F-B/ABS BK9005 - 2200664

## Technical data

### Thermostability (Ball Thrust Test)

Test duration	1 h
Force	20 N

### Degrees of protection provided by housings (IP code)

Specification	IEC 60529:1989-11 + AMD 1:1999-11 + AMD 2:2013-08
Result, degree of protection, IP code	IP20

### General information

Type of note	Assembly instruction:
Note	Refer to the data sheet for the range in the download area.

### Packaging information

Type of packaging	packed in cardboard
Pieces per package	10
Denomination packing units	Pcs.
Outer packaging type	Carton

### Standards and regulations

Flammability rating according to UL 94	HB
--	----

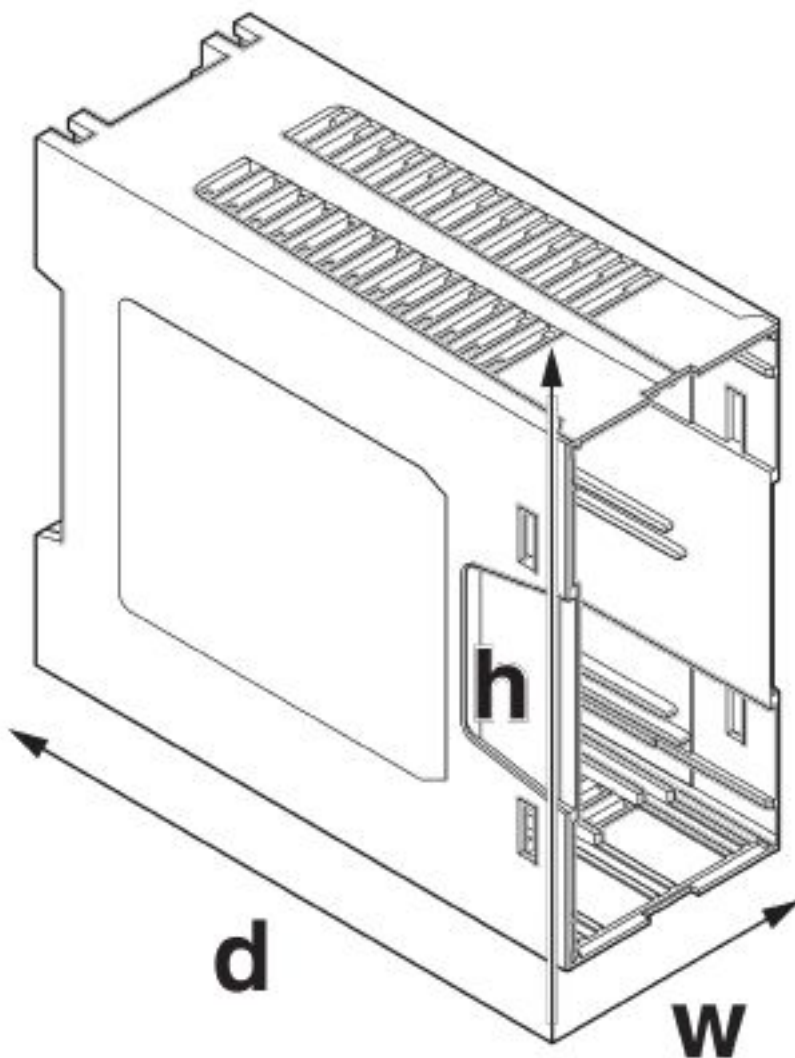
### Environmental Product Compliance

China RoHS	Environmentally friendly use period: unlimited = EFUP-e
	No hazardous substances above threshold values

## Drawings

# Mounting base housing - EH 90 F-B/ABS BK9005 - 2200664

Dimensional drawing



## Classifications

eCl@ss

eCl@ss 10.0.1	27182702
eCl@ss 5.0	27180500
eCl@ss 5.1	27180500
eCl@ss 6.0	27180800
eCl@ss 7.0	27182702
eCl@ss 8.0	27182702
eCl@ss 9.0	27182702

ETIM

ETIM 4.0	EC001031
----------	----------

# Mounting base housing - EH 90 F-B/ABS BK9005 - 2200664

## Classifications

### ETIM

ETIM 5.0	EC001031
ETIM 6.0	EC001031
ETIM 7.0	EC001031

### UNSPSC

UNSPSC 13.2	31261501
UNSPSC 18.0	31261501
UNSPSC 19.0	31261501
UNSPSC 20.0	31261501
UNSPSC 21.0	31261501

## Accessories

### Accessories

#### Mounting material

Base latch - EH SNAPLOCK SET WALL MOUNT OG - 2202007

DIN rail housing, Base latch for wall mounting, width: 28.8 mm, height: 18.7 mm, depth: 4.15 mm, color: orange (2003)



---

## Necessary add-on products

Upper part of housing - EH 90 F-C CS/ABS BK9005 - 2201776



DIN rail housing, Upper part, flat design, Without connection opening, with vents, width: 90.1 mm, height: 74.65 mm, depth: 36.95 mm, color: black (9005)

Upper part of housing - EH 90 F-C CS/ABS GY7035 - 2201777



DIN rail housing, Upper part, flat design, Without connection opening, with vents, width: 90.1 mm, height: 74.65 mm, depth: 36.95 mm, color: light gray (7035)

## Mounting base housing - EH 90 F-B/ABS BK9005 - 2200664

### Accessories

Upper part of housing - EH 90 F-C DS/ABS BK9005 - 2201779



DIN rail housing, Upper part, flat design, connection opening on both sides, width: 90.1 mm, height: 74.65 mm, depth: 36.95 mm, color: black (9005)

---

Upper part of housing - EH 90 F-C DS/ABS GY7035 - 2201778



DIN rail housing, Upper part, flat design, connection opening on both sides, width: 90.1 mm, height: 74.65 mm, depth: 36.95 mm, color: light gray (7035)

---

Upper part of housing - EH 90 F-C SS/ABS BK9005 - 2201388



DIN rail housing, Upper part, flat design, One-way connection opening, with vents, width: 90.1 mm, height: 74.65 mm, depth: 36.95 mm, color: black (9005)

---

Upper part of housing - EH 90 F-C SS/ABS GY7035 - 2201282



DIN rail housing, Upper part, flat design, One-way connection opening, with vents, width: 90.1 mm, height: 74.65 mm, depth: 36.95 mm, color: light gray (7035)

---

Phoenix Contact 2020 © - all rights reserved  
<http://www.phoenixcontact.com>

PHOENIX CONTACT GmbH & Co. KG  
Flachsmarktstr. 8  
32825 Blomberg  
Germany  
Tel. +49 5235 300  
Fax +49 5235 3 41200  
<http://www.phoenixcontact.com>

## X-ON Electronics

Largest Supplier of Electrical and Electronic Components

*Click to view similar products for* [Enclosures, Boxes & Cases](#) *category:*

*Click to view products by* [Phoenix Contact](#) *manufacturer:*

Other Similar products are found below :

[585-R-WH-PK](#) [M-10-PLATED](#) [60221-01](#) [60566-01-000](#) [HPL-9VB BATT DOOR](#) [M18-PLTD](#) [M-21-PLATED](#) [63310-01-000](#) [6711GSKT](#)  
[71884-29-028](#) [LH45-100 Black](#) [72868-510-000](#) [CNS-0000 Black](#) [72883-510-000](#) [CNS-0101 Black](#) [72906-510-000](#) [CNS-0407 Black](#) [73092-](#)  
[510-000](#) [CNM-0101 Black](#) [73105-510-000](#) [CNL-0101 Black](#) [73108-510-000](#) [CNL-0303 Black](#) [73395-510-039](#) [CNS-0006 Bone](#) [74257-510-000](#)  
[CNL-0004](#) [MDC-1183-PLAIN-ALUM](#) [MDC-1183-PTD](#) [MDC-13104-PTD](#) [MDC-321-PTD](#) [MDC-973-PTD](#) [76](#) [77153-01-028](#) [FLX6030](#)  
[83535-01-508](#) [90026-501-000](#) [PS36-200](#) [116-508](#) [120-407](#) [120-910](#) [127-908](#) [130-008](#) [1301170079](#) [1322GSKTEP](#) [1325GSKT3](#) [1434-1210](#)  
[EAS-500 \(BLACK ANO\)](#) [1804RP-RB-PK](#) [190-005](#) [2202307](#) [KAB3321 BLACK](#) [KAB3421](#) [2697466](#) [S52213](#) [2901123](#) [2901699](#) [A0645271](#)  
[A20P20](#) [2106-IR](#) [PERF-850-PLN](#)