

Electronic housing - HC-ALU 6-78 PROFILE 1000 - 2200895

Please be informed that the data shown in this PDF Document is generated from our Online Catalog. Please find the complete data in the user's documentation. Our General Terms of Use for Downloads are valid (<http://phoenixcontact.com/download>)



Profile housing, Lower part, profile width (internal): 78 mm, length: 1000 mm, height: 98.5 mm

Your advantages

- ✔ Item is from the HC-ALU product range
- ✔ Aluminum press-drawn section
- ✔ Available in lengths from 100 mm ... 1000 mm, can be individually cut to any length
- ✔ Available in overall widths 53.5 mm ... 161 mm
- ✔ Degree of protection up to IP65
- ✔ Usable as handheld and wall housing
- ✔ Optional EMC seals available

Key Commercial Data

Packing unit	1 pc
GTIN	
GTIN	4046356716222

Technical data

Product properties

Brief article description	Electronic housing
Type	HC-ALU 6-78 PROFILE 1000
Order No.	2200895
Housing type	Profile housing
Type	Lower part
Max. IP code to attain	IP65
Mounting type	Wall mounting (with accessories as an option)

Dimensions

Length [1]	1000 mm
--------------	---------

Electronic housing - HC-ALU 6-78 PROFILE 1000 - 2200895

Technical data

Dimensions

Profile width (external)	98.5 mm
Profile width (internal)	78 mm
Height	98.5 mm
Depth [d]	32.8 mm

Material specifications

Material	Aluminum
Surface characteristics	anodized

Ambient conditions

Ambient temperature (operation)	-40 °C ... 85 °C
---------------------------------	------------------

PCB specifications

Number of PCB holders	7
-----------------------	---

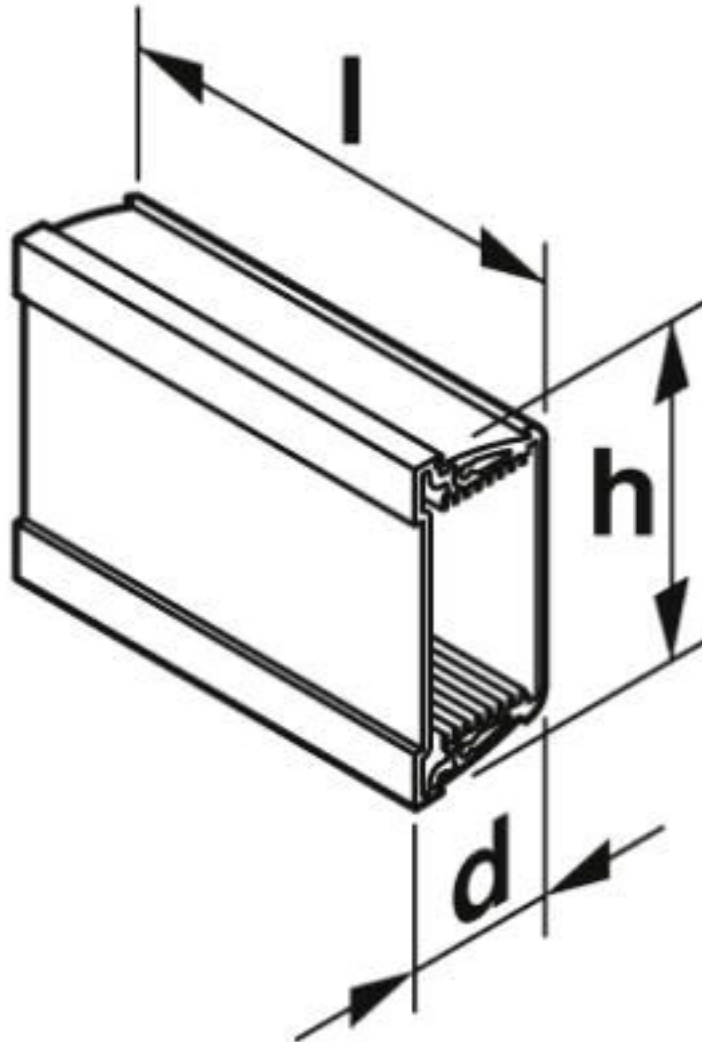
Packaging specifications

Pieces per package	1
Denomination packing units	Pcs.

Drawings

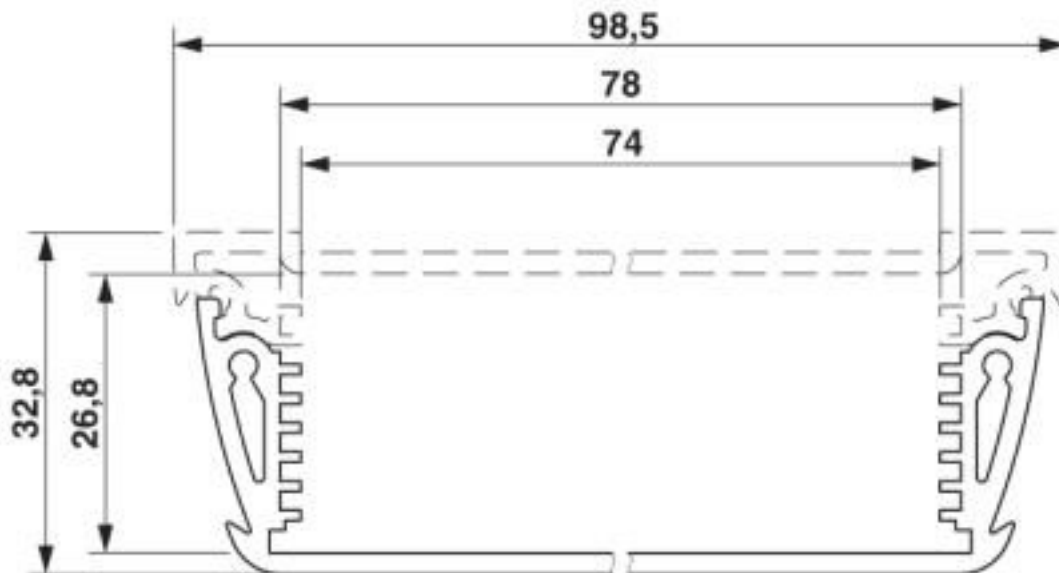
Electronic housing - HC-ALU 6-78 PROFILE 1000 - 2200895

Dimensional drawing



Electronic housing - HC-ALU 6-78 PROFILE 1000 - 2200895

Dimensional drawing



Classifications

eCl@ss

eCl@ss 10.0.1	27182701
eCl@ss 4.0	27180400
eCl@ss 4.1	27180400
eCl@ss 5.0	27180500
eCl@ss 5.1	27180500
eCl@ss 6.0	27182000
eCl@ss 7.0	27182701
eCl@ss 8.0	27182701
eCl@ss 9.0	27182701

ETIM

ETIM 3.0	EC001031
ETIM 4.0	EC000721
ETIM 5.0	EC002779
ETIM 6.0	EC002779
ETIM 7.0	EC002779

UNSPSC

UNSPSC 6.01	31261501
UNSPSC 7.0901	31261501
UNSPSC 11	31261501
UNSPSC 12.01	31261501
UNSPSC 13.2	31261501

Electronic housing - HC-ALU 6-78 PROFILE 1000 - 2200895

Classifications

UNSPSC

UNSPSC 18.0	31261501
UNSPSC 19.0	31261501
UNSPSC 20.0	31261501
UNSPSC 21.0	31261501

Accessories

Accessories

Seal

Seal - HC-ALU 6-78 SEAL EMC - 2200908



EMC seal for HC-ALU panel mounting base

Tool set

Tool set - SF-TXH SET - 1212538



Screwdriver set, Torx[®] with drill bit, 6-part, incl. rack, contents: TX 8 x 60; TX 10 x 80; TX 15 x 80; TX 20 x 100; TX 25 x 100; TX 30 x 115

Tool set - SF-M SET - 1212543



Bit screwdriver set with quick-action chuck, 89 mm long slotted/crosshead (PZ and PH)/hex/Torx[®] bits, 17-part, in folding belt pouch, contents: PH 1,2,3 x 89; PZ 1,2,3 x 89; SL 1.5 x 5.5 x 89; TX 10-30 x 89; SW 3,4,5,6 x 89

Necessary add-on products

End cover - HC-ALU 6-78 COVER GY - 2200896



Profile housing, Side part, length: 15 mm, width: 101.9 mm

Electronic housing - HC-ALU 6-78 PROFILE 1000 - 2200895

Accessories

End cover - HC-ALU 6-78 DKL-COVER GY - 2201122



Profile housing, Side part, length: 15 mm, width: 101.9 mm

Phoenix Contact 2020 © - all rights reserved
<http://www.phoenixcontact.com>

PHOENIX CONTACT GmbH & Co. KG
Flachsmarktstr. 8
32825 Blomberg
Germany
Tel. +49 5235 300
Fax +49 5235 3 41200
<http://www.phoenixcontact.com>

X-ON Electronics

Largest Supplier of Electrical and Electronic Components

Click to view similar products for [Enclosures, Boxes & Cases](#) category:

Click to view products by [Phoenix Contact](#) manufacturer:

Other Similar products are found below :

[585-R-WH-PK](#) [M-10-PLATED](#) [60221-01](#) [60566-01-000](#) [HPL-9VB BATT DOOR](#) [M18-PLTD](#) [M-21-PLATED](#) [63310-01-000](#) [6711GSKT](#)
[71884-29-028](#) [LH45-100 Black](#) [72868-510-000](#) [CNS-0000 Black](#) [72883-510-000](#) [CNS-0101 Black](#) [72906-510-000](#) [CNS-0407 Black](#) [73092-](#)
[510-000](#) [CNM-0101 Black](#) [73105-510-000](#) [CNL-0101 Black](#) [73108-510-000](#) [CNL-0303 Black](#) [73395-510-039](#) [CNS-0006 Bone](#) [74257-510-000](#)
[CNL-0004](#) [MDC-1183-PLAIN-ALUM](#) [MDC-1183-PTD](#) [MDC-13104-PTD](#) [MDC-321-PTD](#) [MDC-973-PTD](#) [76](#) [77153-01-028](#) [FLX6030](#)
[83535-01-508](#) [90026-501-000](#) [PS36-200](#) [116-508](#) [120-407](#) [120-910](#) [127-908](#) [130-008](#) [1301170079](#) [1322GSKTEP](#) [1325GSKT3](#) [1434-1210](#)
[EAS-500 \(BLACK ANO\)](#) [1804RP-RB-PK](#) [190-005](#) [2202307](#) [KAB3321 BLACK](#) [KAB3421](#) [2697466](#) [S52213](#) [2901123](#) [2901699](#) [A0645271](#)
[A20P20](#) [2106-IR](#) [PERF-850-PLN](#)