

Profile - UM-ALU 4-100,5 PROFILE 95 - 2200937

Please be informed that the data shown in this PDF Document is generated from our Online Catalog. Please find the complete data in the user's documentation. Our General Terms of Use for Downloads are valid (<http://phoenixcontact.com/download>)



Press-drawn section housings, Basic profile, profile width (internal): 100.5 mm, length: 95 mm, color: aluminum color

Your advantages

- Item is from the UM-ALU product range
- Aluminum press-drawn section
- Available in lengths from 42.5 mm ... 990 mm, can be cut to any length
- Available in overall widths of 75 mm and 105 mm
- Variety of connection technologies
- Can be mounted on the DIN rail
- EMC protection

Key Commercial Data

Packing unit	1 pc
GTIN	 4 046356 716468
GTIN	4046356716468

Technical data

Product properties

Brief article description	Profile
Type	UM-ALU 4-100,5 PROFILE 95
Order No.	2200937
Housing type	Press-drawn section housings
Type	Basic profile
Max. IP code to attain	IP40
Mounting type	Screw mounting

Dimensions

Length [1]	95 mm
--------------	-------

Profile - UM-ALU 4-100,5 PROFILE 95 - 2200937

Technical data

Dimensions

Profile width (external)	105 mm
Profile width (internal)	100.5 mm
Depth [d]	29.4 mm
Depth from top edge of DIN rail	25.5 mm

Material specifications

Material	Aluminum
Color	aluminum color
Surface characteristics	anodized

Ambient conditions

Ambient temperature (storage/transport)	-40 °C ... 55 °C
Ambient temperature (assembly)	-5 °C ... 100 °C
Ambient temperature (operation)	-40 °C ... 105 °C (depending on power dissipation)

PCB specifications

Number of PCB holders	3
PCB thickness	1.44 mm ... 2 mm
PCB surface	8551 mm ² ... 9332 mm ² (TOP in conjunction with side elements COVER...AL)
	9086 mm ² ... 9332 mm ² (BOTTOM in conjunction with side elements COVER...AL)
	8551 mm ² ... 9645 mm ² (TOP in conjunction with side elements COVER...PA)
	9124 mm ² ... 9645 mm ² (BOTTOM in conjunction with side elements COVER...PA)
Mounting position	parallel to the DIN rail
Type of PCB mount	Slot

Packaging specifications

Type of packaging	packed in cardboard
Pieces per package	1
Denomination packing units	Pcs.
Outer packaging type	Carton

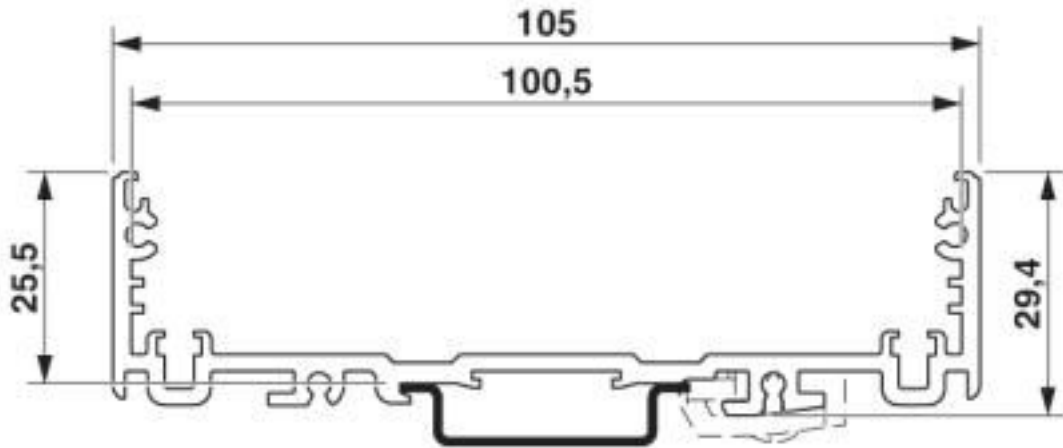
Environmental Product Compliance

China RoHS	Environmentally friendly use period: unlimited = EFUP-e
	No hazardous substances above threshold values

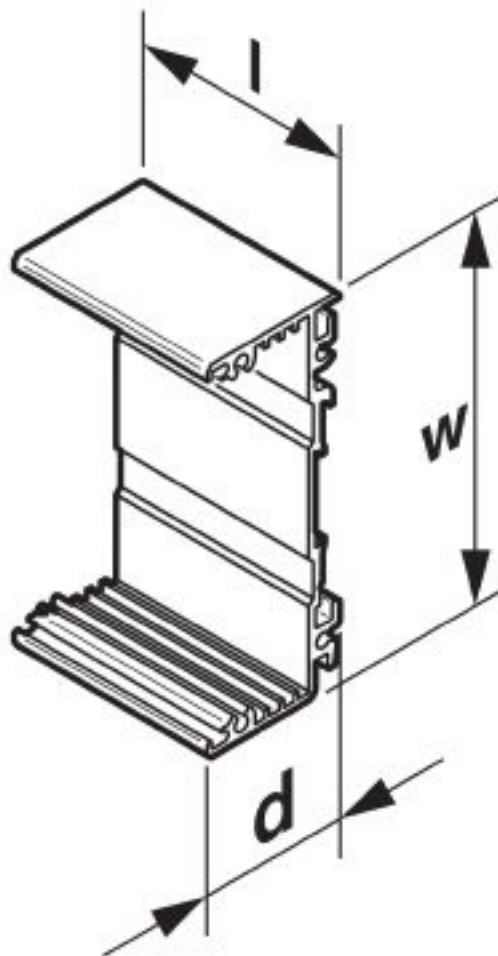
Drawings

Profile - UM-ALU 4-100,5 PROFILE 95 - 2200937

Dimensional drawing



Dimensional drawing



Profile - UM-ALU 4-100,5 PROFILE 95 - 2200937

Classifications

eCl@ss

eCl@ss 10.0.1	27182701
eCl@ss 4.0	27180400
eCl@ss 4.1	27180400
eCl@ss 5.0	27180500
eCl@ss 5.1	27180500
eCl@ss 6.0	27182000
eCl@ss 7.0	27182701
eCl@ss 8.0	27182701
eCl@ss 9.0	27182701

ETIM

ETIM 3.0	EC001031
ETIM 4.0	EC000721
ETIM 5.0	EC002779
ETIM 6.0	EC002779
ETIM 7.0	EC002779

UNSPSC

UNSPSC 6.01	31261501
UNSPSC 7.0901	31261501
UNSPSC 11	31261501
UNSPSC 12.01	31261501
UNSPSC 13.2	31261501
UNSPSC 18.0	31261501
UNSPSC 19.0	31261501
UNSPSC 20.0	31261501
UNSPSC 21.0	31261501

Approvals

Approvals

Approvals

EAC

Ex Approvals

Approval details

Profile - UM-ALU 4-100,5 PROFILE 95 - 2200937

Approvals

EAC		B.01742
-----	---	---------

Accessories

Accessories

Ground contact

Grounding clip - UM-ALU 4 PE CONTACT - 2200973

Press-drawn section housings, Grounding clamp for integrating the basic profile into the potential equalization system via slip-on sleeves in accordance with DIN 46244, width: 17 mm, color: silver



Necessary add-on products

Side element - UM-ALU 4-100,5 COVER AL - 2200951

Press-drawn section housings, Side elements (left and right) incl. snap-on foot and screws for basic profile, width: 105.4 mm, height: 2 mm, color: aluminum color



Side element - UM-ALU 4-100,5 COVERLID 45 AL - 2201759

Press-drawn section housings, Side elements (left and right) incl. snap-on foot and screws for profile cover UM-ALU 4 AU..L., width: 105.4 mm, height: 2 mm, color: aluminum color



Side element - UM-ALU 4-100,5 COVERLID 75 AL - 2201760

Press-drawn section housings, Side elements (left and right) incl. snap-on foot and screws for profile cover UM-ALU 4 AU..L., width: 105.4 mm, height: 2 mm, color: aluminum color



Profile - UM-ALU 4-100,5 PROFILE 95 - 2200937

Accessories

Base latch - UM-ALU 4 FOOT - 2200974



Press-drawn section housings, Snap-on foot for DIN rail, incl. screw

Side element - UM-ALU 4-100,5 COVER PA BK - 2200952



Press-drawn section housings, Side elements (left and right) incl. snap-on foot and screws for basic profile, width: 105.4 mm, color: black (9005)

Additional products

Profile cover - UM-ALU 4 AU45 L95 - 2200956



Press-drawn section housings, Profile cover, width: 45.6 mm, profile width (internal): 42 mm, length: 95 mm, color: aluminum color

Profile cover - UM-ALU 4 AU75 L95 - 2200965



Press-drawn section housings, Profile cover, width: 75.6 mm, profile width (internal): 71.5 mm, length: 95 mm, color: aluminum color

Front plate - UM-ALU 4-100,5 FRONT 95 AP - 2202096



Press-drawn section housings, Basic profile front plate, width: 101.8 mm, length: 95 mm, color: aluminum color, recommended for UM-ALU 4-...COVER AL lateral elements

Phoenix Contact 2020 © - all rights reserved
<http://www.phoenixcontact.com>

PHOENIX CONTACT GmbH & Co. KG
Flachmarktstr. 8
32825 Blomberg
Germany
Tel. +49 5235 300
Fax +49 5235 3 41200
<http://www.phoenixcontact.com>

X-ON Electronics

Largest Supplier of Electrical and Electronic Components

Click to view similar products for [Enclosures, Boxes & Cases](#) *category:*

Click to view products by [Phoenix Contact](#) *manufacturer:*

Other Similar products are found below :

[585-R-WH-PK](#) [M-10-PLATED](#) [60221-01](#) [60566-01-000](#) [HPL-9VB BATT DOOR](#) [M18-PLTD](#) [M-21-PLATED](#) [63310-01-000](#) [6711GSKT](#)
[71884-29-028](#) [LH45-100 Black](#) [72868-510-000](#) [CNS-0000 Black](#) [72883-510-000](#) [CNS-0101 Black](#) [72906-510-000](#) [CNS-0407 Black](#) [73092-](#)
[510-000](#) [CNM-0101 Black](#) [73105-510-000](#) [CNL-0101 Black](#) [73108-510-000](#) [CNL-0303 Black](#) [73395-510-039](#) [CNS-0006 Bone](#) [74257-510-000](#)
[CNL-0004](#) [MDC-1183-PLAIN-ALUM](#) [MDC-1183-PTD](#) [MDC-13104-PTD](#) [MDC-321-PTD](#) [MDC-973-PTD](#) [76](#) [77153-01-028](#) [FLX6030](#)
[83535-01-508](#) [90026-501-000](#) [PS36-200](#) [116-508](#) [120-407](#) [120-910](#) [127-908](#) [130-008](#) [1301170079](#) [1322GSKTEP](#) [1325GSKT3](#) [1434-1210](#)
[EAS-500 \(BLACK ANO\)](#) [1804RP-RB-PK](#) [190-005](#) [2202307](#) [KAB3321 BLACK](#) [KAB3421](#) [2697466](#) [S52213](#) [2901123](#) [2901699](#) [A0645271](#)
[A20P20](#) [2106-IR](#) [PERF-850-PLN](#)