

Profile cover - UM-ALU 4 AU45 L42,5 - 2200954

Please be informed that the data shown in this PDF Document is generated from our Online Catalog. Please find the complete data in the user's documentation. Our General Terms of Use for Downloads are valid (<http://phoenixcontact.com/download>)




Press-drawn section housings, Profile cover, width: 45.6 mm, profile width (internal): 42 mm, length: 42.5 mm, color: aluminum color

Your advantages

- Item is from the UM-ALU product range
- Aluminum press-drawn section
- Available in lengths from 42.5 mm ... 990 mm, can be cut to any length
- Available in overall widths of 75 mm and 105 mm
- Variety of connection technologies
- Can be mounted on the DIN rail
- EMC protection



Key Commercial Data

Packing unit	1 pc
GTIN	 4 046356 720977
GTIN	4046356720977

Technical data

Product properties

Brief article description	Profile cover
Type	UM-ALU 4 AU45 L42,5
Order No.	2200954
Housing type	Press-drawn section housings
Type	Profile cover
Max. IP code to attain	IP40
Mounting type	Screw mounting

Dimensions

Width [w]	45.6 mm
-------------	---------

Profile cover - UM-ALU 4 AU45 L42,5 - 2200954

Technical data

Dimensions

Length [l]	42.5 mm
Depth [d]	28.1 mm

Material specifications

Material	Aluminum
Color	aluminum color
Surface characteristics	anodized

Ambient conditions

Ambient temperature (storage/transport)	-40 °C ... 55 °C
Ambient temperature (assembly)	-5 °C ... 100 °C
Ambient temperature (operation)	-40 °C ... 100 °C (depending on power dissipation)

PCB specifications

Number of PCB holders	4
PCB thickness	1.44 mm ... 2 mm
PCB surface	1159 mm ² ... 1627 mm ² (TOP in conjunction with side elements COVERLID...AL or 4LID...PA)
	992 mm ² ... 1584 mm ² (BOTTOM in conjunction with side elements COVERLID...AL or 4LID...PA)
Mounting position	parallel to the DIN rail
Type of PCB mount	Slot

Packaging specifications

Type of packaging	packed in cardboard
Pieces per package	1
Denomination packing units	Pcs.
Outer packaging type	Carton

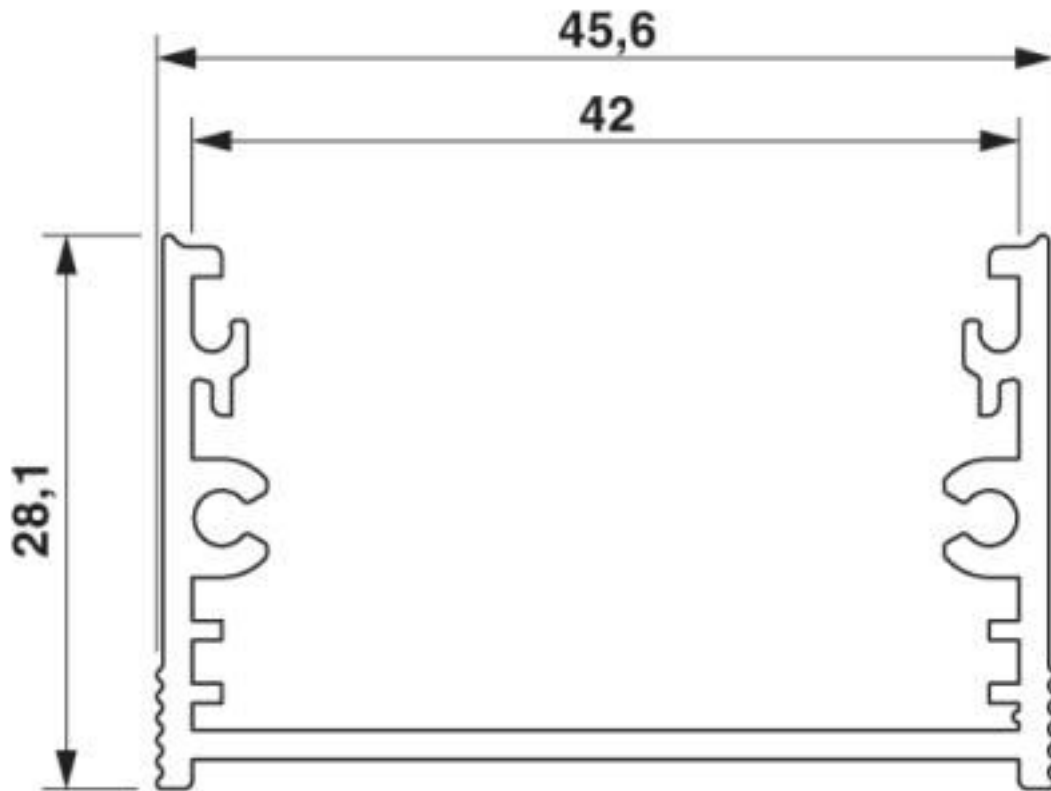
Environmental Product Compliance

China RoHS	Environmentally friendly use period: unlimited = EFUP-e
	No hazardous substances above threshold values

Drawings

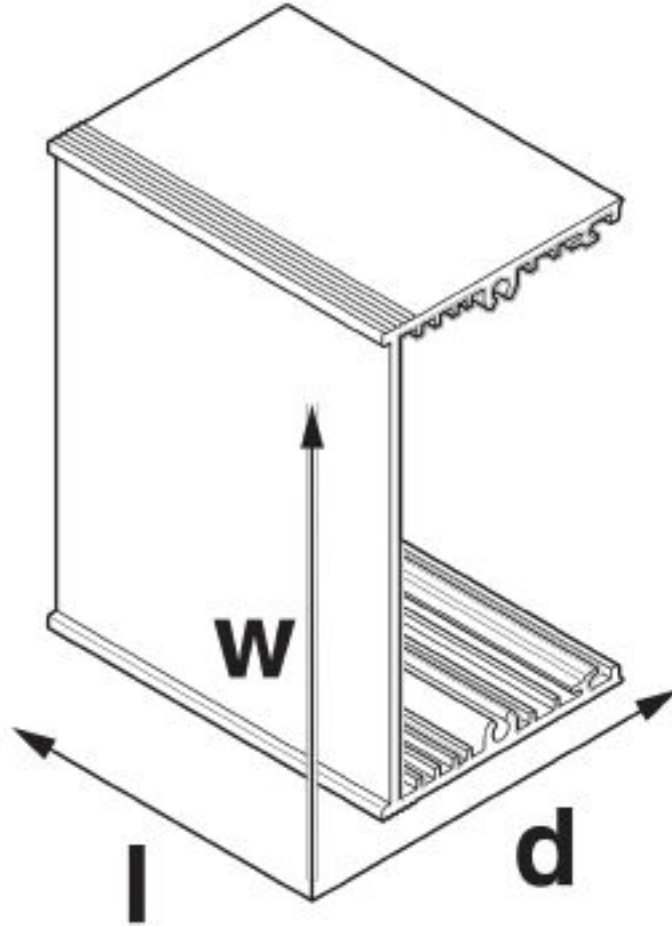
Profile cover - UM-ALU 4 AU45 L42,5 - 2200954

Dimensional drawing



Profile cover - UM-ALU 4 AU45 L42,5 - 2200954

Schematic diagram



Classifications

eCl@ss

eCl@ss 10.0.1	27182701
eCl@ss 4.0	27180400
eCl@ss 4.1	27180400
eCl@ss 5.0	27180500
eCl@ss 5.1	27180500
eCl@ss 6.0	27182000
eCl@ss 7.0	27182701
eCl@ss 8.0	27182701
eCl@ss 9.0	27182701

ETIM

ETIM 3.0	EC001031
----------	----------

Profile cover - UM-ALU 4 AU45 L42,5 - 2200954

Classifications

ETIM

ETIM 4.0	EC000721
ETIM 5.0	EC002779
ETIM 6.0	EC002779
ETIM 7.0	EC002779

UNSPSC

UNSPSC 6.01	31261501
UNSPSC 7.0901	31261501
UNSPSC 11	31261501
UNSPSC 12.01	31261501
UNSPSC 13.2	31261501
UNSPSC 18.0	31261501
UNSPSC 19.0	31261501
UNSPSC 20.0	31261501
UNSPSC 21.0	31261501

Accessories

Accessories

Component housing lower part

Profile - UM-ALU 4-72 PROFILE 42,5 - 2200917



Press-drawn section housings, Basic profile, profile width (internal): 72 mm, length: 42.5 mm, color: aluminum color

Profile - UM-ALU 4-100,5 PROFILE 42,5 - 2200935



Press-drawn section housings, Basic profile, profile width (internal): 100.5 mm, length: 42.5 mm, color: aluminum color

Necessary add-on products

Profile cover - UM-ALU 4 AU45 L42,5 - 2200954

Accessories

Side element - UM-ALU 4-72 COVERLID 45 AL - 2201758

Press-drawn section housings, Side elements (left and right) incl. snap-on foot and screws for profile cover UM-ALU 4 AU..L..., width: 75.4 mm, height: 2 mm, color: aluminum color



Side element - UM-ALU 4-100,5 COVERLID 45 AL - 2201759

Press-drawn section housings, Side elements (left and right) incl. snap-on foot and screws for profile cover UM-ALU 4 AU..L..., width: 105.4 mm, height: 2 mm, color: aluminum color



Side element - UM-ALU 4 LID45 PA BK - 2200971



Press-drawn section housings, Side elements (left and right) for profile cover, incl. screws, width: 45.4 mm, length: 9 mm, color: black (9005)

Phoenix Contact 2020 © - all rights reserved
<http://www.phoenixcontact.com>

PHOENIX CONTACT GmbH & Co. KG
Flachsmarktstr. 8
32825 Blomberg
Germany
Tel. +49 5235 300
Fax +49 5235 3 41200
<http://www.phoenixcontact.com>

X-ON Electronics

Largest Supplier of Electrical and Electronic Components

Click to view similar products for [Enclosures, Boxes & Cases](#) *category:*

Click to view products by [Phoenix Contact](#) *manufacturer:*

Other Similar products are found below :

[585-R-WH-PK](#) [M-10-PLATED](#) [60221-01](#) [60566-01-000](#) [HPL-9VB BATT DOOR](#) [M18-PLTD](#) [M-21-PLATED](#) [63310-01-000](#) [6711GSKT](#)
[71884-29-028](#) [LH45-100 Black](#) [72868-510-000](#) [CNS-0000 Black](#) [72883-510-000](#) [CNS-0101 Black](#) [72906-510-000](#) [CNS-0407 Black](#) [73092-](#)
[510-000](#) [CNM-0101 Black](#) [73105-510-000](#) [CNL-0101 Black](#) [73108-510-000](#) [CNL-0303 Black](#) [73395-510-039](#) [CNS-0006 Bone](#) [74257-510-000](#)
[CNL-0004](#) [MDC-1183-PLAIN-ALUM](#) [MDC-1183-PTD](#) [MDC-13104-PTD](#) [MDC-321-PTD](#) [MDC-973-PTD](#) [76](#) [77153-01-028](#) [FLX6030](#)
[83535-01-508](#) [90026-501-000](#) [PS36-200](#) [116-508](#) [120-407](#) [120-910](#) [127-908](#) [130-008](#) [1301170079](#) [1322GSKTEP](#) [1325GSKT3](#) [1434-1210](#)
[EAS-500 \(BLACK ANO\)](#) [1804RP-RB-PK](#) [190-005](#) [2202307](#) [KAB3321 BLACK](#) [KAB3421](#) [2697466](#) [S52213](#) [2901123](#) [2901699](#) [A0645271](#)
[A20P20](#) [2106-IR](#) [PERF-850-PLN](#)