

## Front plate - UM-ALU 4-100,5 FRONT 235 AP - 2202101

Please be informed that the data shown in this PDF Document is generated from our Online Catalog. Please find the complete data in the user's documentation. Our General Terms of Use for Downloads are valid (<http://phoenixcontact.com/download>)



Press-drawn section housings, Basic profile front plate, width: 101.8 mm, length: 235 mm, color: aluminum color, recommended for UM-ALU 4-..COVER AL lateral elements

### Your advantages

- Item is from the UM-ALU product range
- Aluminum press-drawn section
- Available in lengths from 42.5 mm ... 990 mm, can be cut to any length
- Available in overall widths of 75 mm and 105 mm
- Variety of connection technologies
- Can be mounted on the DIN rail
- EMC protection



### Key Commercial Data

Packing unit	1 pc
GTIN	
GTIN	4046356987684

### Technical data

#### Product properties

Brief article description	Front plate
Type	UM-ALU 4-100,5 FRONT 235 AP
Order No.	2202101
Housing type	Press-drawn section housings
Type	Basic profile front plate
Max. IP code to attain	IP40

#### Dimensions

Width [ w ]	101.8 mm
Length [ l ]	235 mm

# Front plate - UM-ALU 4-100,5 FRONT 235 AP - 2202101

## Technical data

### Dimensions

Depth [ d ]	2 mm
-------------	------

### Material specifications

Material	Aluminum
Color	aluminum color
Surface characteristics	anodized

### Ambient conditions

Ambient temperature (storage/transport)	-40 °C ... 55 °C
Ambient temperature (assembly)	-5 °C ... 100 °C
Ambient temperature (operation)	-40 °C ... 105 °C (depending on power dissipation)

### PCB specifications

Mounting position	parallel to the DIN rail
-------------------	--------------------------

### Packaging specifications

Type of packaging	packed in cardboard
Pieces per package	1
Denomination packing units	Pcs.
Outer packaging type	Carton

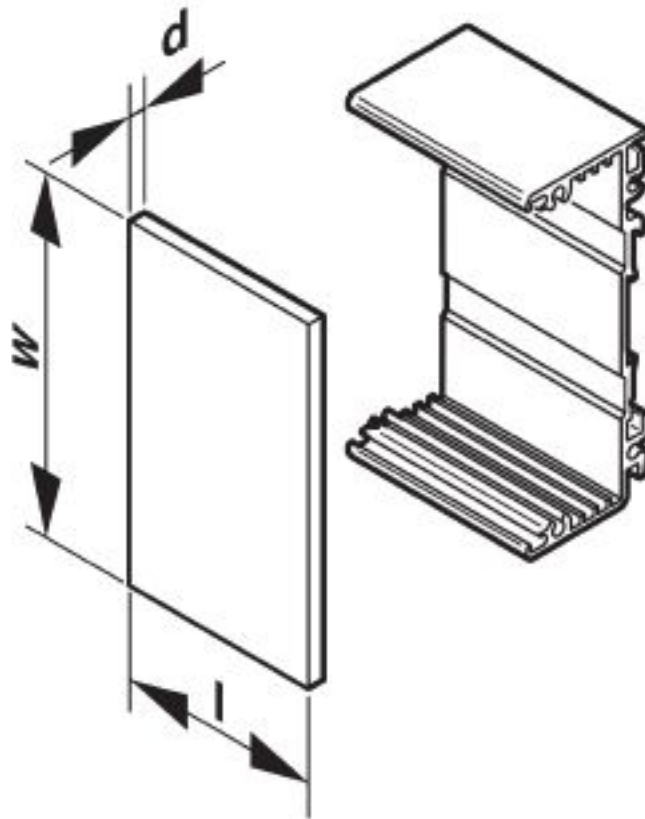
### Environmental Product Compliance

China RoHS	Environmentally friendly use period: unlimited = EFUP-e
	No hazardous substances above threshold values

## Drawings

# Front plate - UM-ALU 4-100,5 FRONT 235 AP - 2202101

Schematic diagram



## Classifications

eCl@ss

eCl@ss 10.0.1	27182701
eCl@ss 5.0	27180500
eCl@ss 5.1	27180500
eCl@ss 6.0	27182000
eCl@ss 7.0	27182701
eCl@ss 8.0	27182701
eCl@ss 9.0	27182701

ETIM

ETIM 5.0	EC002779
----------	----------

## Front plate - UM-ALU 4-100,5 FRONT 235 AP - 2202101

### Classifications

#### ETIM

ETIM 6.0	EC002779
ETIM 7.0	EC002779

#### UNSPSC

UNSPSC 13.2	31261501
UNSPSC 18.0	31261501
UNSPSC 19.0	31261501
UNSPSC 20.0	31261501
UNSPSC 21.0	31261501

### Accessories

#### Necessary add-on products

Profile - UM-ALU 4-100,5 PROFILE 235 - 2200941



Press-drawn section housings, Basic profile, profile width (internal): 100.5 mm, length: 235 mm, color: aluminum color

Side element - UM-ALU 4-100,5 COVER AL - 2200951



Press-drawn section housings, Side elements (left and right) incl. snap-on foot and screws for basic profile, width: 105.4 mm, height: 2 mm, color: aluminum color

Phoenix Contact 2020 © - all rights reserved  
<http://www.phoenixcontact.com>

PHOENIX CONTACT GmbH & Co. KG  
Flachsmarktstr. 8  
32825 Blomberg  
Germany  
Tel. +49 5235 300  
Fax +49 5235 3 41200  
<http://www.phoenixcontact.com>

## X-ON Electronics

Largest Supplier of Electrical and Electronic Components

*Click to view similar products for* [Enclosures for Industrial Automation](#) *category:*

*Click to view products by* [Phoenix Contact](#) *manufacturer:*

Other Similar products are found below :

[116-508](#) [130-008](#) [190-005](#) [2202307](#) [2901699](#) [2790318](#) [WM011RI,BK](#) [WM052I,GY](#) [WM093RI,BK](#) [5030266](#) [WM053R,BK](#) [WM032I,BK](#)  
[2909989](#) [120-908](#) [150-007](#) [790-207](#) [2200095](#) [111-012](#) [127-408](#) [802-407](#) [115-401](#) [795-001](#) [790-211](#) [733-820](#) [BW67DBKCSYL](#)  
[CX68DBKANG](#) [CXL68DBKAYL](#) [CXL65DBKANG](#) [BW68DBKCSBL](#) [DPH-28714-C](#) [135-007](#) [721-032](#) [1103440](#) [1037322](#) [1167159](#)  
[1158978](#) [1158981](#) [1158982](#) [2202667](#) [1017444](#) [BWA-AH664](#) [100-403-91](#) [100-405-01](#) [101-003-91](#) [101-004-91](#) [101-506-01](#) [WM012I,GY](#)  
[WM013I,AL](#) [WM052RI,GY](#) [WM093RI,GY](#)