

Front plate - UM-ALU 4-100,5 FRONT 990 AP - 2202102

Please be informed that the data shown in this PDF Document is generated from our Online Catalog. Please find the complete data in the user's documentation. Our General Terms of Use for Downloads are valid (<http://phoenixcontact.com/download>)




Press-drawn section housings, Basic profile front plate, width: 101.8 mm, length: 990 mm, color: aluminum color, recommended for UM-ALU 4-..COVER AL lateral elements

Your advantages

- Item is from the UM-ALU product range
- Aluminum press-drawn section
- Available in lengths from 42.5 mm ... 990 mm, can be cut to any length
- Available in overall widths of 75 mm and 105 mm
- Variety of connection technologies
- Can be mounted on the DIN rail
- EMC protection



Key Commercial Data

Packing unit	1 pc
GTIN	 4 046356 987691
GTIN	4046356987691

Technical data

Product properties

Brief article description	Front plate
Type	UM-ALU 4-100,5 FRONT 990 AP
Order No.	2202102
Housing type	Press-drawn section housings
Type	Basic profile front plate
Max. IP code to attain	IP40

Dimensions

Width [w]	101.8 mm
Length [l]	990 mm

Front plate - UM-ALU 4-100,5 FRONT 990 AP - 2202102

Technical data

Dimensions

Depth [d]	2 mm
-------------	------

Material specifications

Material	Aluminum
Color	aluminum color
Surface characteristics	anodized

Ambient conditions

Ambient temperature (storage/transport)	-40 °C ... 55 °C
Ambient temperature (assembly)	-5 °C ... 100 °C
Ambient temperature (operation)	-40 °C ... 105 °C (depending on power dissipation)

PCB specifications

Mounting position	parallel to the DIN rail
-------------------	--------------------------

Packaging specifications

Type of packaging	packed in cardboard
Pieces per package	1
Denomination packing units	Pcs.
Outer packaging type	Carton

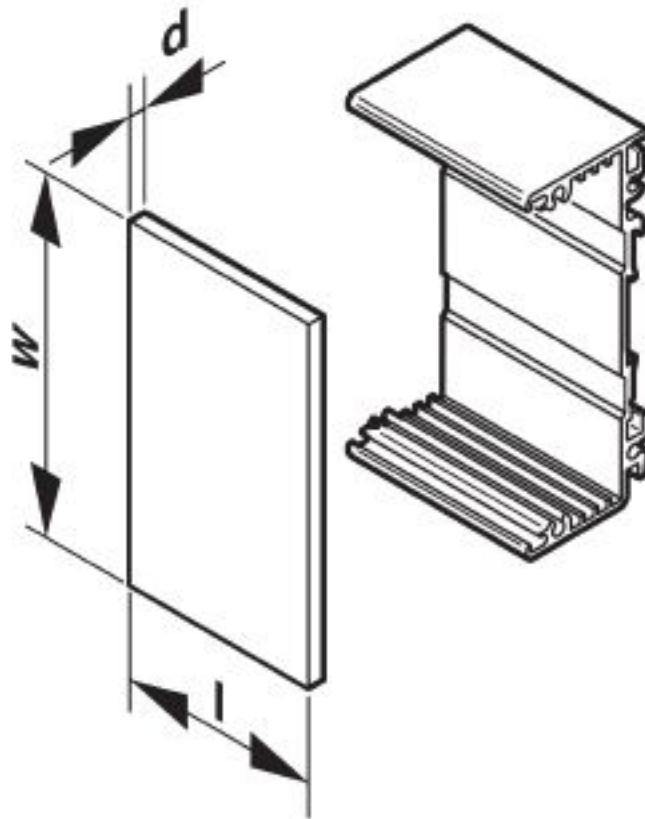
Environmental Product Compliance

China RoHS	Environmentally friendly use period: unlimited = EFUP-e
	No hazardous substances above threshold values

Drawings

Front plate - UM-ALU 4-100,5 FRONT 990 AP - 2202102

Schematic diagram



Classifications

eCl@ss

eCl@ss 10.0.1	27182701
eCl@ss 5.0	27180500
eCl@ss 5.1	27180500
eCl@ss 6.0	27182000
eCl@ss 7.0	27182701
eCl@ss 8.0	27182701
eCl@ss 9.0	27182701

ETIM

ETIM 5.0	EC002779
----------	----------

Front plate - UM-ALU 4-100,5 FRONT 990 AP - 2202102

Classifications

ETIM

ETIM 6.0	EC002779
ETIM 7.0	EC002779

UNSPSC

UNSPSC 13.2	31261501
UNSPSC 18.0	31261501
UNSPSC 19.0	31261501
UNSPSC 20.0	31261501
UNSPSC 21.0	31261501

Accessories

Necessary add-on products

Profile - UM-ALU 4-100,5 PROFILE 990 - 2200942



Press-drawn section housings, Basic profile, profile width (internal): 100.5 mm, length: 990 mm, color: aluminum color

Side element - UM-ALU 4-100,5 COVER AL - 2200951



Press-drawn section housings, Side elements (left and right) incl. snap-on foot and screws for basic profile, width: 105.4 mm, height: 2 mm, color: aluminum color

Phoenix Contact 2020 © - all rights reserved
<http://www.phoenixcontact.com>

PHOENIX CONTACT GmbH & Co. KG
Flachsmarktstr. 8
32825 Blomberg
Germany
Tel. +49 5235 300
Fax +49 5235 3 41200
<http://www.phoenixcontact.com>

X-ON Electronics

Largest Supplier of Electrical and Electronic Components

Click to view similar products for [DIN Rail Terminal Blocks](#) category:

Click to view products by [Phoenix Contact](#) manufacturer:

Other Similar products are found below :

[00110420202](#) [8WA1011-1BH23](#) [8WA1011-1EF20](#) [8WA1011-6DG11](#) [91.010](#) [9102100000](#) [91.040](#) [9123140000](#) [9123140001](#) [RBO 5-T-B-HEX](#) [1333564](#) [DP25-GY-ND](#) [1431306](#) [1433306](#) [90.070](#) [90.202](#) [91.020](#) [912314](#) [260-301_NR](#) [2757571](#) [280-331](#) [280-560](#) [280-564](#) [281-611/281-542](#) [281-673/281-411](#) [281-994](#) [283-317](#) [283-607](#) [2909798](#) [264-724](#) [264-726](#) [280-530](#) [280-555](#) [280-619](#) [281-610](#) [281-622/281-417](#) [284-317](#) [284-601](#) [2907033](#) [3048496](#) [5542152](#) [35956](#) [USK 10](#) [102510](#) [1025100000](#) [5520682](#) [5607102](#) [EMH 25-ZE30](#) [591620-2](#) [UM 45-SEFE M.NUT BK](#)