

Connection plate - ICS25-F45S-7035 - 2203891

Please be informed that the data shown in this PDF Document is generated from our Online Catalog. Please find the complete data in the user's documentation. Our General Terms of Use for Downloads are valid (<http://phoenixcontact.com/download>)

DIN rail housing, ICS filler, closed, width: 25 mm, height: 7 mm, depth: 45 mm, color: light gray (7035)




Your advantages

- ✓ Flexible use, thanks to the modular system and unique modularity in the connection technology
- ✓ Standardized connections such as RJ45, USB, D-SUB and antenna sockets as components that can be integrated
- ✓ Optimal space utilization, as well as adaptability of design, colors, and printing
- ✓ Eight-position DIN rail connectors with parallel and up to two serial contacts for easy module-to-module communication



Key Commercial Data

| | |
|------------------------|---|
| Packing unit | 10 pc |
| Minimum order quantity | 10 pc |
| GTIN |  4 055626 465968 |
| GTIN | 4055626465968 |

Technical data

Item properties

| | |
|------------------------------|--------------------|
| Brief article description | Connection plate |
| Type | ICS25-F45S-7035 |
| Order No. | 2203891 |
| Housing type | DIN rail housing |
| Housing series | ICS |
| Type | ICS filler, closed |
| Max. IP code to attain | IP20 |
| Mounting type | Slot |
| Ventilation openings present | no |

Dimensions

| | |
|-------------|-------|
| Width [w] | 25 mm |
|-------------|-------|

Connection plate - ICS25-F45S-7035 - 2203891

Technical data

Dimensions

| | |
|--------------|-------|
| Height [h] | 7 mm |
| Depth [d] | 45 mm |

Material data

| | |
|--|-------------------|
| Housing material | Polyamide |
| Color (RAL) | light gray (7035) |
| Flammability rating according to UL 94 | V0 |

Ambient conditions

| | |
|---|--|
| Ambient temperature (storage/transport) | -40 °C ... 55 °C |
| Ambient temperature (assembly) | -5 °C ... 100 °C |
| Ambient temperature (operation) | -40 °C ... 105 °C (depending on power dissipation) |
| Relative humidity (storage/transport) | 80 % |

General information

| | |
|--------------|---|
| Type of note | Assembly instruction: |
| Note | Refer to the data sheet for the range in the download area. |

Packaging information

| | |
|----------------------------|----------------|
| Pieces per package | 10 |
| Denomination packing units | Pcs. |
| Outer packaging type | Resealable bag |

Standards and regulations

| | |
|--|----|
| Flammability rating according to UL 94 | V0 |
|--|----|

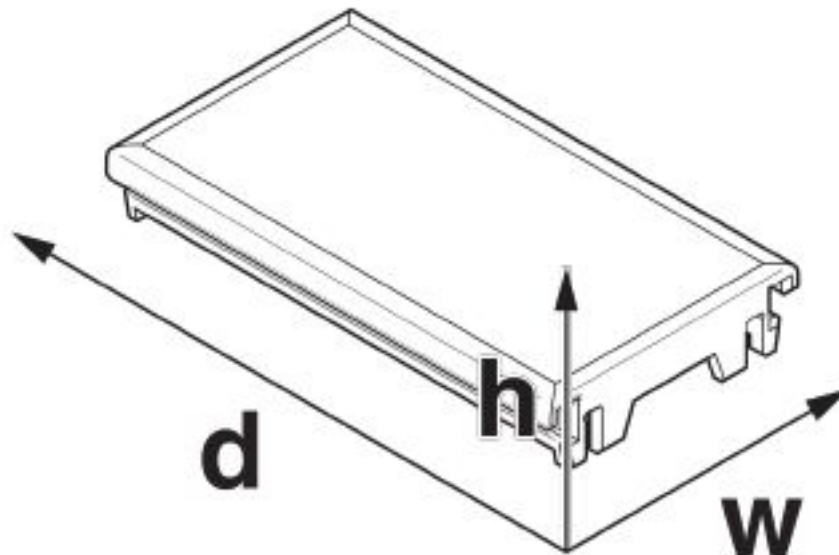
Environmental Product Compliance

| | |
|------------|---|
| China RoHS | Environmentally friendly use period: unlimited = EFUP-e |
| | No hazardous substances above threshold values |

Drawings

Connection plate - ICS25-F45S-7035 - 2203891

Dimensional drawing



Classifications

eCl@ss

| | |
|---------------|----------|
| eCl@ss 10.0.1 | 27182702 |
| eCl@ss 5.1 | 27180506 |
| eCl@ss 6.0 | 27180800 |
| eCl@ss 7.0 | 27182702 |
| eCl@ss 8.0 | 27182702 |
| eCl@ss 9.0 | 27182702 |

ETIM

| | |
|----------|----------|
| ETIM 5.0 | EC001031 |
| ETIM 6.0 | EC001031 |
| ETIM 7.0 | EC001031 |

Phoenix Contact 2020 © - all rights reserved
<http://www.phoenixcontact.com>

PHOENIX CONTACT GmbH & Co. KG
Flachmarktstr. 8
32825 Blomberg
Germany
Tel. +49 5235 300
Fax +49 5235 3 41200
<http://www.phoenixcontact.com>

X-ON Electronics

Largest Supplier of Electrical and Electronic Components

Click to view similar products for [Enclosures, Boxes & Cases](#) *category:*

Click to view products by [Phoenix Contact](#) *manufacturer:*

Other Similar products are found below :

[585-R-WH-PK](#) [M-10-PLATED](#) [60221-01](#) [60566-01-000](#) [HPL-9VB BATT DOOR](#) [M18-PLTD](#) [M-21-PLATED](#) [63310-01-000](#) [6711GSKT](#)
[71884-29-028](#) [LH45-100 Black](#) [72868-510-000](#) [CNS-0000 Black](#) [72883-510-000](#) [CNS-0101 Black](#) [72906-510-000](#) [CNS-0407 Black](#) [73092-](#)
[510-000](#) [CNM-0101 Black](#) [73105-510-000](#) [CNL-0101 Black](#) [73108-510-000](#) [CNL-0303 Black](#) [73395-510-039](#) [CNS-0006 Bone](#) [74257-510-000](#)
[CNL-0004](#) [MDC-1183-PLAIN-ALUM](#) [MDC-1183-PTD](#) [MDC-13104-PTD](#) [MDC-321-PTD](#) [MDC-973-PTD](#) [76](#) [77153-01-028](#) [FLX6030](#)
[83535-01-508](#) [90026-501-000](#) [PS36-200](#) [116-508](#) [120-407](#) [120-910](#) [127-908](#) [130-008](#) [1301170079](#) [1322GSKTEP](#) [1325GSKT3](#) [1434-1210](#)
[EAS-500 \(BLACK ANO\)](#) [1804RP-RB-PK](#) [190-005](#) [2202307](#) [KAB3321 BLACK](#) [KAB3421](#) [2697466](#) [S52213](#) [2901123](#) [2901699](#) [A0645271](#)
[A20P20](#) [2106-IR](#) [PERF-850-PLN](#)