

## Electronic housing - ECS-B-122X169-L-UV1-NV - 2230001

Please be informed that the data shown in this PDF Document is generated from our Online Catalog. Please find the complete data in the user's documentation. Our General Terms of Use for Downloads are valid (<http://phoenixcontact.com/download>)


Snap-in locking non-vented enclosure of the ECS Family. IP66/67/69 rated when mated with associated faceplate. Color: Black (9005), Width: 170 mm, Height: 176 mm, Depth: 64 mm



### Your advantages

- Part of the EnviroCase System
- Suitable for outdoor/indoor applications
- IP66/IP67 rated with faceplate secured to the base
- Wall, panel, or pole mounting options
- Toolless assembly

### Key Commercial Data

|                        |   |
|------------------------|---|
| Packing unit           | 5 pc  |
| Minimum order quantity | 5 pc  |
| GTIN                   | <br>4 055626 381343 |
| GTIN                   | 4055626381343   |

### Technical data

#### Item properties

|                 |   |
|-----------------|---|
| Type            | ECS-B-122X169-L-UV1-NV                          |
| Order No.       | 2230001   |
| Housing type    | outdoor housings                                |
| Type            | Snap-in locking                                 |
| Impact strength | IK08  |
| Mounting type   | Wall or panel mount. Pole mount with accessory. |
| Type of locking | Snap-in locking                                 |

#### Measurements

|              |        |
|--------------|--------|
| Width [ w ]  | 170 mm |
| Height [ h ] | 176 mm |

# Electronic housing - ECS-B-122X169-L-UV1-NV - 2230001

## Technical data

### Measurements

|             |       |
|-------------|-------|
| Depth [ d ] | 64 mm |
|-------------|-------|

### Material specifications

|  |                    |
|--|--------------------|
| Color (RAL)                            | black (9005)       |
| Flammability rating according to UL 94 | V0                 |
| Housing material                       | PC (polycarbonate) |

### Ambient conditions

|                                 |                   |
|---------------------------------|-------------------|
| Ambient temperature (operation) | -40 °C ... 100 °C |
|---------------------------------|-------------------|

### PCB data

|               |                     |
|---------------|---------------------|
| PCB thickness | 1.57 mm ... 2.36 mm |
|---------------|---------------------|

### Packaging information

|                            |      |
|----------------------------|------|
| Pieces per package         | 5    |
| Denomination packing units | Pcs. |

### Standards and regulations

|  |    |
|--|----|
| Flammability rating according to UL 94 | V0 |
|--|----|

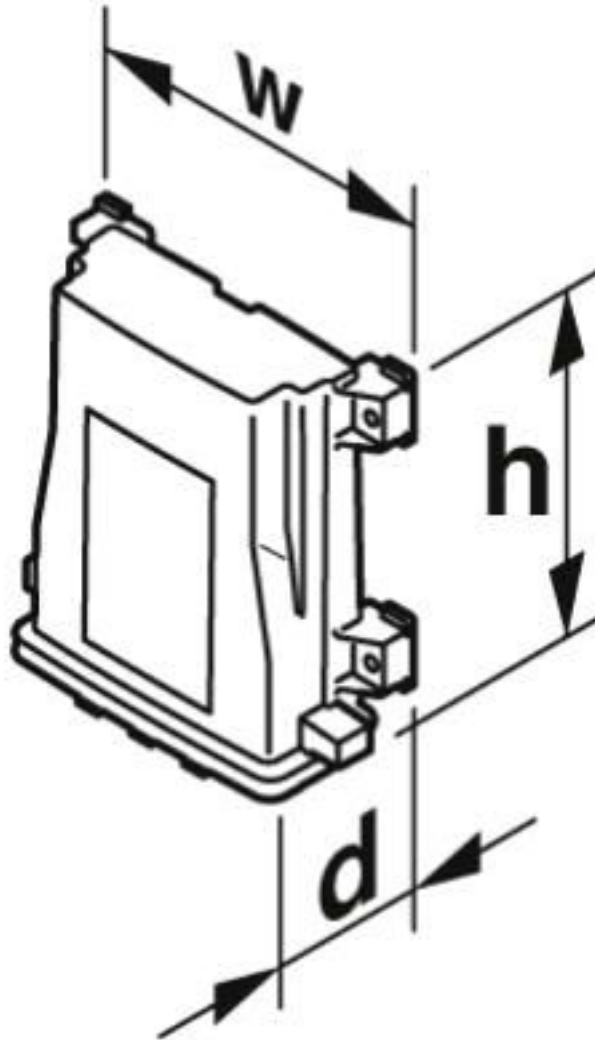
### Environmental Product Compliance

|            |   |
|------------|---|
| China RoHS | Environmentally friendly use period: unlimited = EFUP-e |
|            | No hazardous substances above threshold values          |

## Drawings

# Electronic housing - ECS-B-122X169-L-UV1-NV - 2230001

Dimensional drawing



## Classifications

eCl@ss

|               |          |
|---------------|----------|
| eCl@ss 10.0.1 | 27182702 |
| eCl@ss 4.0    | 27180401 |
| eCl@ss 4.1    | 27180401 |
| eCl@ss 5.0    | 27180505 |
| eCl@ss 5.1    | 27180505 |
| eCl@ss 6.0    | 27180800 |
| eCl@ss 7.0    | 27182702 |
| eCl@ss 8.0    | 27182702 |
| eCl@ss 9.0    | 27182702 |

# Electronic housing - ECS-B-122X169-L-UV1-NV - 2230001

## Classifications

### ETIM

|          |          |
|----------|----------|
| ETIM 3.0 | EC001031 |
| ETIM 4.0 | EC001031 |
| ETIM 5.0 | EC000058 |
| ETIM 6.0 | EC001031 |
| ETIM 7.0 | EC001031 |

### UNSPSC

|               |          |
|---------------|----------|
| UNSPSC 6.01   | 31261501 |
| UNSPSC 7.0901 | 31261501 |
| UNSPSC 11     | 31261501 |
| UNSPSC 12.01  | 31261501 |
| UNSPSC 13.2   | 31261501 |
| UNSPSC 18.0   | 31261501 |
| UNSPSC 19.0   | 31261501 |
| UNSPSC 20.0   | 31261501 |
| UNSPSC 21.0   | 31261501 |

## Accessories

### Accessories

#### Screwdriver tools

Screwdriver - SF-TXH 20X100 - 1200151



Screwdriver, Torx® with bore hole, TX 20 x 100, two-component handle

### Additional products

Front plate - ECS-P-122X169-L-UV1-B - 2230004

Snap-in locking blank faceplate of the ECS Family. IP66/67/69 rated when mated with associated enclosure. Color: Black (9005), Width: 196 mm, Height: 34 mm, Depth: 62 mm



## Electronic housing - ECS-B-122X169-L-UV1-NV - 2230001

### Accessories

#### Front plate - ECS-P-122X169-L-UV1-1M12 - 2230005

Snap-in locking one female M12 faceplate of the ECS Family. IP66/67/69 rated when mated with associated enclosure. Color: Black (9005), Width: 196 mm, Height: 34 mm, Depth: 62



#### Front plate - ECS-P-122X169-L-UV1-2M12 - 2230006

Snap-in locking two female M12 faceplate of the ECS Family. IP66/67/69 rated when mated with associated enclosure. Color: Black (9005), Width: 196 mm, Height: 34 mm, Depth: 62 mm



#### Front plate - ECS-P-122X169-L-UV1-CG - 2230007

Snap-in locking cable gland faceplate of the ECS Family. IP66/67/69 rated when mated with associated enclosure. Color: Black (9005), Width: 196 mm, Height: 34 mm, Depth: 62 mm



#### Safety clip - ECS-BL - 2230012

Clip to prevent PCB from dropping from base when faceplate is removed.



#### Mounting brackets - ECS-PM - 2230013

Mounting set for mast mounting



Phoenix Contact 2020 © - all rights reserved  
<http://www.phoenixcontact.com>

PHOENIX CONTACT GmbH & Co. KG  
Flachmarktstr. 8  
32825 Blomberg  
Germany  
Tel. +49 5235 300  
Fax +49 5235 3 41200  
<http://www.phoenixcontact.com>

## X-ON Electronics

Largest Supplier of Electrical and Electronic Components

*Click to view similar products for* [Enclosures, Boxes & Cases](#) *category:*

*Click to view products by* [Phoenix Contact](#) *manufacturer:*

Other Similar products are found below :

[585-R-WH-PK](#) [M-10-PLATED](#) [60221-01](#) [60566-01-000](#) [HPL-9VB BATT DOOR](#) [M18-PLTD](#) [M-21-PLATED](#) [63310-01-000](#) [6711GSKT](#)  
[71884-29-028](#) [LH45-100 Black](#) [72868-510-000](#) [CNS-0000 Black](#) [72883-510-000](#) [CNS-0101 Black](#) [72906-510-000](#) [CNS-0407 Black](#) [73092-](#)  
[510-000](#) [CNM-0101 Black](#) [73105-510-000](#) [CNL-0101 Black](#) [73108-510-000](#) [CNL-0303 Black](#) [73395-510-039](#) [CNS-0006 Bone](#) [74257-510-000](#)  
[CNL-0004](#) [MDC-1183-PLAIN-ALUM](#) [MDC-1183-PTD](#) [MDC-13104-PTD](#) [MDC-321-PTD](#) [MDC-973-PTD](#) [76](#) [77153-01-028](#) [FLX6030](#)  
[83535-01-508](#) [90026-501-000](#) [PS36-200](#) [116-508](#) [120-407](#) [120-910](#) [127-908](#) [130-008](#) [1301170079](#) [1322GSKTEP](#) [1325GSKT3](#) [1434-1210](#)  
[EAS-500 \(BLACK ANO\)](#) [1804RP-RB-PK](#) [190-005](#) [2202307](#) [KAB3321 BLACK](#) [KAB3421](#) [2697466](#) [S52213](#) [2901123](#) [2901699](#) [A0645271](#)  
[A20P20](#) [2106-IR](#) [PERF-850-PLN](#)