

Front plate - ECS-P-122X169-S-UV1-B - 2230008

Please be informed that the data shown in this PDF Document is generated from our Online Catalog. Please find the complete data in the user's documentation. Our General Terms of Use for Downloads are valid (<http://phoenixcontact.com/download>)

Screw locking blank faceplate of the ECS Family. IP66/67/69 rated when mated with associated enclosure.
Color: Black (9005), Width: 163 mm, Height: 30 mm, Depth: 62 mm



Your advantages

- Part of the EnviroCase System
- Suitable for outdoor/indoor applications
- IP66/IP67 rated with faceplate secured to the base
- Customizable to meet specific connector requirements for different applications

Key Commercial Data

| | |
|------------------------|---------------|
| Packing unit | 5 pc |
| Minimum order quantity | 5 pc |
| GTIN | |
| GTIN | 4055626381435 |

Technical data

Item properties

| | |
|-----------------|-----------------------|
| Type | ECS-P-122X169-S-UV1-B |
| Order No. | 2230008 |
| Housing type | outdoor housings |
| Type | Screw locking |
| Connection | without |
| Impact strength | IK08 |
| Mounting type | Screw locking |
| Type of locking | screw locking |

Measurements

| | |
|--------------|--------|
| Width [w] | 163 mm |
| Height [h] | 30 mm |

Front plate - ECS-P-122X169-S-UV1-B - 2230008

Technical data

Measurements

| | |
|-------------|-------|
| Depth [d] | 62 mm |
|-------------|-------|

Material specifications

| | |
|--|--------------------|
| Color (RAL) | black (9005) |
| Flammability rating according to UL 94 | V0 |
| Housing material | PC (polycarbonate) |

Ambient conditions

| | |
|---------------------------------|-------------------|
| Ambient temperature (operation) | -40 °C ... 100 °C |
|---------------------------------|-------------------|

PCB data

| | |
|-----------------------|---------------------|
| Number of PCB holders | 1 |
| PCB thickness | 1.59 mm ... 2.36 mm |

Packaging information

| | |
|----------------------------|------|
| Pieces per package | 5 |
| Denomination packing units | Pcs. |

Standards and regulations

| | |
|--|----|
| Flammability rating according to UL 94 | V0 |
|--|----|

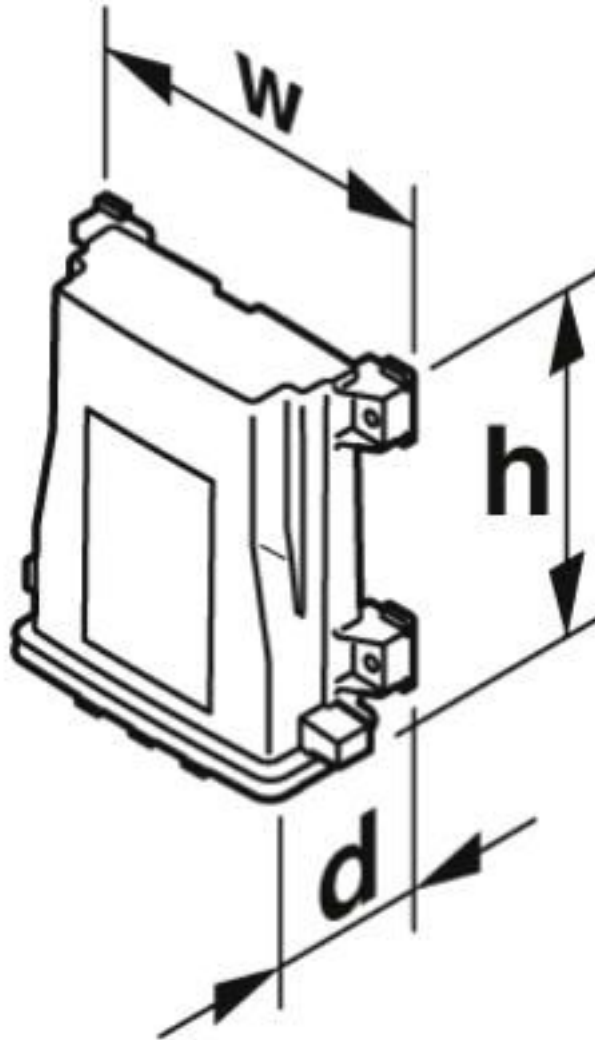
Environmental Product Compliance

| | |
|------------|---|
| REACH SVHC | Lead 7439-92-1 |
| China RoHS | Environmentally friendly use period: unlimited = EFUP-e |
| | No hazardous substances above threshold values |

Drawings

Front plate - ECS-P-122X169-S-UV1-B - 2230008

Dimensional drawing



Classifications

eCl@ss

| | |
|---------------|----------|
| eCl@ss 10.0.1 | 27182702 |
| eCl@ss 4.0 | 27180401 |
| eCl@ss 4.1 | 27180401 |
| eCl@ss 5.0 | 27180505 |
| eCl@ss 5.1 | 27180505 |
| eCl@ss 6.0 | 27180800 |
| eCl@ss 7.0 | 27182702 |
| eCl@ss 8.0 | 27182702 |
| eCl@ss 9.0 | 27182702 |

Front plate - ECS-P-122X169-S-UV1-B - 2230008

Classifications

ETIM

| | |
|----------|----------|
| ETIM 3.0 | EC001031 |
| ETIM 4.0 | EC001031 |
| ETIM 5.0 | EC000058 |
| ETIM 6.0 | EC001031 |
| ETIM 7.0 | EC001031 |

UNSPSC

| | |
|---------------|----------|
| UNSPSC 6.01 | 31261501 |
| UNSPSC 7.0901 | 31261501 |
| UNSPSC 11 | 31261501 |
| UNSPSC 12.01 | 31261501 |
| UNSPSC 13.2 | 31261501 |
| UNSPSC 18.0 | 31261501 |
| UNSPSC 19.0 | 31261501 |
| UNSPSC 20.0 | 31261501 |
| UNSPSC 21.0 | 31261501 |

Approvals

Approvals

Approvals

EAC

Ex Approvals

Approval details

| | | |
|-----|---|---------|
| EAC |  | B.01742 |
|-----|---|---------|

Accessories

Accessories

Screwdriver tools

Front plate - ECS-P-122X169-S-UV1-B - 2230008

Accessories

Screwdriver - SZS 1,0X6,5 VDE - 1205079



Screwdriver, slot-headed, VDE insulated, size: 1.0 x 6.5 x 150 mm, 2-component grip, with non-slip grip

Additional products

Electronic housing - ECS-B-122X169-S-UV1-V - 2230002



Screw locking vented enclosure of the ECS Family. IP66/67/69 rated when mated with associated faceplate. Color: Black (9005), Width: 164 mm, Height: 176 mm, Depth: 64 mm

Electronic housing - ECS-B-122X169-S-UV1-NV - 2230003



Screw locking non-vented enclosure of the ECS family. IP66/67/69 rated when mated with associated faceplate. Color: Black (9005), Width: 164 mm, Height: 176 mm, Depth: 64 mm

Electronic housing - ECS-B-122X109-S-UV1-V - 1054710



Screw locking vented enclosure of the ECS Family. IP66/67/69 rated when mated with associated faceplate. Color: Black (9005), Width: 164 mm, Height: 116 mm, Depth: 64 mm

Electronic housing - ECS-B-122X109-S-UV1-NV - 1054711



Screw locking non-vented enclosure of the ECS family. IP66/67/69 rated when mated with associated faceplate. Color: Black (9005), Width: 164 mm, Height: 116 mm, Depth: 64 mm

Phoenix Contact 2020 © - all rights reserved
<http://www.phoenixcontact.com>

PHOENIX CONTACT GmbH & Co. KG
Flachmarktstr. 8
32825 Blomberg
Germany
Tel. +49 5235 300
Fax +49 5235 3 41200
<http://www.phoenixcontact.com>

X-ON Electronics

Largest Supplier of Electrical and Electronic Components

Click to view similar products for [Enclosures, Boxes & Cases](#) *category:*

Click to view products by [Phoenix Contact](#) *manufacturer:*

Other Similar products are found below :

[585-R-WH-PK](#) [M-10-PLATED](#) [60221-01](#) [60566-01-000](#) [HPL-9VB BATT DOOR](#) [M18-PLTD](#) [M-21-PLATED](#) [63310-01-000](#) [6711GSKT](#)
[71884-29-028](#) [LH45-100 Black](#) [72868-510-000](#) [CNS-0000 Black](#) [72883-510-000](#) [CNS-0101 Black](#) [72906-510-000](#) [CNS-0407 Black](#) [73092-](#)
[510-000](#) [CNM-0101 Black](#) [73105-510-000](#) [CNL-0101 Black](#) [73108-510-000](#) [CNL-0303 Black](#) [73395-510-039](#) [CNS-0006 Bone](#) [74257-510-000](#)
[CNL-0004](#) [MDC-1183-PLAIN-ALUM](#) [MDC-1183-PTD](#) [MDC-13104-PTD](#) [MDC-321-PTD](#) [MDC-973-PTD](#) [76](#) [77153-01-028](#) [FLX6030](#)
[83535-01-508](#) [90026-501-000](#) [PS36-200](#) [116-508](#) [120-407](#) [120-910](#) [127-908](#) [130-008](#) [1301170079](#) [1322GSKTEP](#) [1325GSKT3](#) [1434-1210](#)
[EAS-500 \(BLACK ANO\)](#) [1804RP-RB-PK](#) [190-005](#) [2202307](#) [KAB3321 BLACK](#) [KAB3421](#) [2697466](#) [S52213](#) [2901123](#) [2901699](#) [A0645271](#)
[A20P20](#) [2106-IR](#) [PERF-850-PLN](#)