

DIN rail bus connectors - HBUS 161,6-16P-1S BK - 2278555


Please be informed that the data shown in this PDF Document is generated from our Online Catalog. Please find the complete data in the user's documentation. Our General Terms of Use for Downloads are valid (<http://phoenixcontact.com/download>)



DIN rail connector, number of positions: 16, pitch: 2.54 mm, color: jet black



Key Commercial Data

Packing unit	10 pc
Minimum order quantity	10 pc
GTIN	 4 046356 299442
GTIN	4046356299442

Technical data

General

Housing material	Polyamide
------------------	-----------

Ambient conditions

Ambient temperature (operation)	-40 °C ... 105 °C (dependent on the derating curve)
---------------------------------	---

Dimensions

Length	37.1 mm
Width	161.6 mm
Pitch	2.54 mm
Height	13.6 mm

Technical data

Number of positions	16
---------------------	----

Standards and Regulations

Flammability rating according to UL 94	V0
--	----

Environmental Product Compliance

China RoHS	Environmentally friendly use period: unlimited = EFUP-e
------------	---

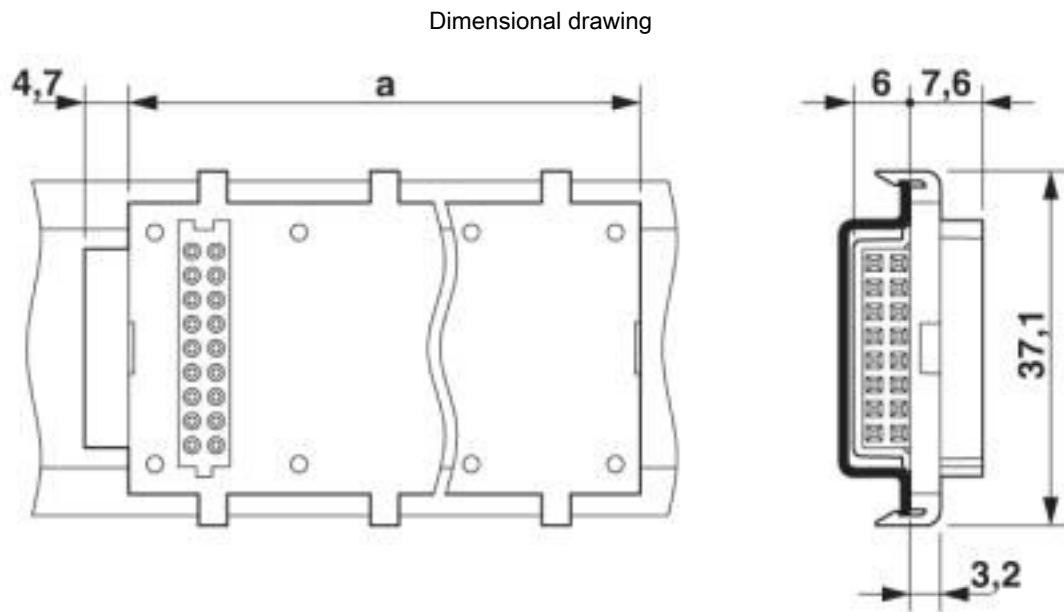
DIN rail bus connectors - HBUS 161,6-16P-1S BK - 2278555

Technical data

Environmental Product Compliance

	No hazardous substances above threshold values
--	--

Drawings



A= 161.6 mm

Classifications

eCl@ss

eCl@ss 10.0.1	27440309
eCl@ss 4.0	27260700
eCl@ss 4.1	27260700
eCl@ss 5.0	27260700
eCl@ss 5.1	27260700
eCl@ss 6.0	27260700
eCl@ss 7.0	27440309
eCl@ss 8.0	27440309
eCl@ss 9.0	27440309

ETIM

ETIM 3.0	EC001121
ETIM 4.0	EC001024
ETIM 5.0	EC002638
ETIM 6.0	EC002638
ETIM 7.0	EC002638

DIN rail bus connectors - HBUS 161,6-16P-1S BK - 2278555

Classifications

UNSPSC

UNSPSC 6.01	30211810
UNSPSC 7.0901	39121409
UNSPSC 11	39121409
UNSPSC 12.01	39121409
UNSPSC 13.2	39121409
UNSPSC 18.0	39121409
UNSPSC 19.0	39121409
UNSPSC 20.0	39121409
UNSPSC 21.0	39121409

Approvals

Approvals

Approvals

EAC

Ex Approvals

Approval details

EAC		B.01687
-----	--	---------

Accessories

Accessories

Cable set

Cable set - BSL-2,54/16-ST 40CM - 2202938



Cable bridge for cross-DIN-rail connection of the HBUS connector

DIN rail bus connectors - HBUS 161,6-16P-1S BK - 2278555

Accessories

Cable set - BSL2-2,54/16-ST - 2201281



Cable bridge for cross-DIN-rail connection of the HBUS connector

Power plug - SL2-2,54/16-ST - 2896348



Power connector for DIN rail bus connector with 16 free cable ends with a cross section of 0.25 mm², 500 mm long, male contacts

Power plug - BL2-2,54/16-ST - 2896335



Power connector for DIN rail bus connector with 16 free cable ends with a cross section of 0.25 mm², 500 mm long, female contacts

Filler plug

Protective cap - HBUS-B SET BK - 2278173



Set of 3 caps, for protecting unused DIN rail bus connectors, simply snap on to fit

Necessary add-on products

Pin strip - PSTD 0,65X0,65/9-2,54 - 2200700



Pin strip, number of positions: 18, pitch: 2.54 mm

Phoenix Contact 2020 © - all rights reserved
<http://www.phoenixcontact.com>

PHOENIX CONTACT GmbH & Co. KG
Flachsmarktstr. 8
32825 Blomberg
Germany
Tel. +49 5235 300
Fax +49 5235 3 41200
<http://www.phoenixcontact.com>

X-ON Electronics

Largest Supplier of Electrical and Electronic Components

Click to view similar products for [Enclosures, Boxes & Cases](#) *category:*

Click to view products by [Phoenix Contact](#) *manufacturer:*

Other Similar products are found below :

[585-R-WH-PK](#) [M-10-PLATED](#) [60221-01](#) [60566-01-000](#) [HPL-9VB BATT DOOR](#) [M18-PLTD](#) [M-21-PLATED](#) [63310-01-000](#) [6711GSKT](#)
[71884-29-028](#) [LH45-100 Black](#) [72868-510-000](#) [CNS-0000 Black](#) [72883-510-000](#) [CNS-0101 Black](#) [72906-510-000](#) [CNS-0407 Black](#) [73092-](#)
[510-000](#) [CNM-0101 Black](#) [73105-510-000](#) [CNL-0101 Black](#) [73108-510-000](#) [CNL-0303 Black](#) [73395-510-039](#) [CNS-0006 Bone](#) [74257-510-000](#)
[CNL-0004](#) [MDC-1183-PLAIN-ALUM](#) [MDC-1183-PTD](#) [MDC-13104-PTD](#) [MDC-321-PTD](#) [MDC-973-PTD](#) [76](#) [77153-01-028](#) [FLX6030](#)
[83535-01-508](#) [90026-501-000](#) [PS36-200](#) [116-508](#) [120-407](#) [120-910](#) [127-908](#) [130-008](#) [1301170079](#) [1322GSKTEP](#) [1325GSKT3](#) [1434-1210](#)
[EAS-500 \(BLACK ANO\)](#) [1804RP-RB-PK](#) [190-005](#) [2202307](#) [KAB3321 BLACK](#) [KAB3421](#) [2697466](#) [S52213](#) [2901123](#) [2901699](#) [A0645271](#)
[A20P20](#) [2106-IR](#) [PERF-850-PLN](#)