

Interface module - DFLK 40 - 2280271

Please be informed that the data shown in this PDF Document is generated from our Online Catalog. Please find the complete data in the user's documentation. Our General Terms of Use for Downloads are valid (<http://phoenixcontact.com/download>)



The VARIOFACE feed-through module implements a 1:1 connection between screw connection terminal blocks and an IDC/FLK pin strip (2.54 mm, number of positions: 40).



Key Commercial Data

| | |
|--------------|---------------|
| Packing unit | 5 pc |
| GTIN | |
| GTIN | 4017918054380 |

Technical data

Note

| | |
|--------------|--|
| Type of note | Notes on operation |
| Note | Do not connect adjacent channels to SELV/ PELV and voltages dangerous to the touch. |
| Type of note | Notes on operation |
| Note | At least one functional insulation against adjacent modules is complied with (in the support rail direction). If the application has stricter requirements for the insulation (basic insulation or reinforced insulation), they must be realized by applying suitable measures (e. g. partition plates). |

Dimensions

| | |
|--------|----------|
| Width | 40 mm |
| Height | 128.5 mm |
| Depth | 47.5 mm |

Ambient conditions

| | |
|---|------------------|
| Ambient temperature (operation) | -20 °C ... 50 °C |
| Ambient temperature (storage/transport) | -20 °C ... 70 °C |
| Maximum altitude | ≤ 2000 m |
| Degree of protection | IP20 |

Interface module - DFLK 40 - 2280271

Technical data

Ambient conditions

| | |
|--|--------------------------------|
| | ≥ IP54 (Installation location) |
|--|--------------------------------|

General

| | |
|------------------------------------|------------------------------|
| Max. permissible operating voltage | 25 V AC |
| | 60 V DC |
| Max. permissible current | 1 A (per path) |
| Max. permissible total current | 40 A (T _A = 50°C) |
| Number of positions | 40 |
| Status display | No |
| Mounting position | any |
| Assembly instructions | In rows with zero spacing |

Connection data

| | |
|----------------------------------|---|
| Connection name | Field level |
| Connection in acc. with standard | IEC / EN |
| Connection method | Screw connection |
| Stripping length | 8 mm |
| Screw thread | M3 |
| Conductor cross section solid | 0.2 mm ² ... 4 mm ² |
| Conductor cross section flexible | 0.2 mm ² ... 2.5 mm ² |
| Conductor cross section AWG | 24 ... 12 |

Connection data 2

| | |
|-----------------------|-------------------|
| Connection name | Controller level |
| Connection method | IDC/FLK pin strip |
| Number of connections | 1 |
| Number of positions | 40 |
| Pitch | 2.54 mm |

Supported controller

| | |
|---------------------|-----------------------|
| Controller | ALLEN-BRADLEY SLC 500 |
| - suitable I/O card | 1746 OB 32 |
| | 1746 OV 32 |
| | 1746 IB 32 |
| | 1746 IV 32 |

Standards and Regulations

| | |
|--------------------------|---------------------------------------|
| Designation | Air clearances and creepage distances |
| Standards/regulations | DIN EN 50178 |
| Rated insulation voltage | 63 V |
| Rated surge voltage | 0.6 kV |
| Insulation | Functional insulation |
| Pollution degree | 2 |

Interface module - DFLK 40 - 2280271

Technical data

Standards and Regulations

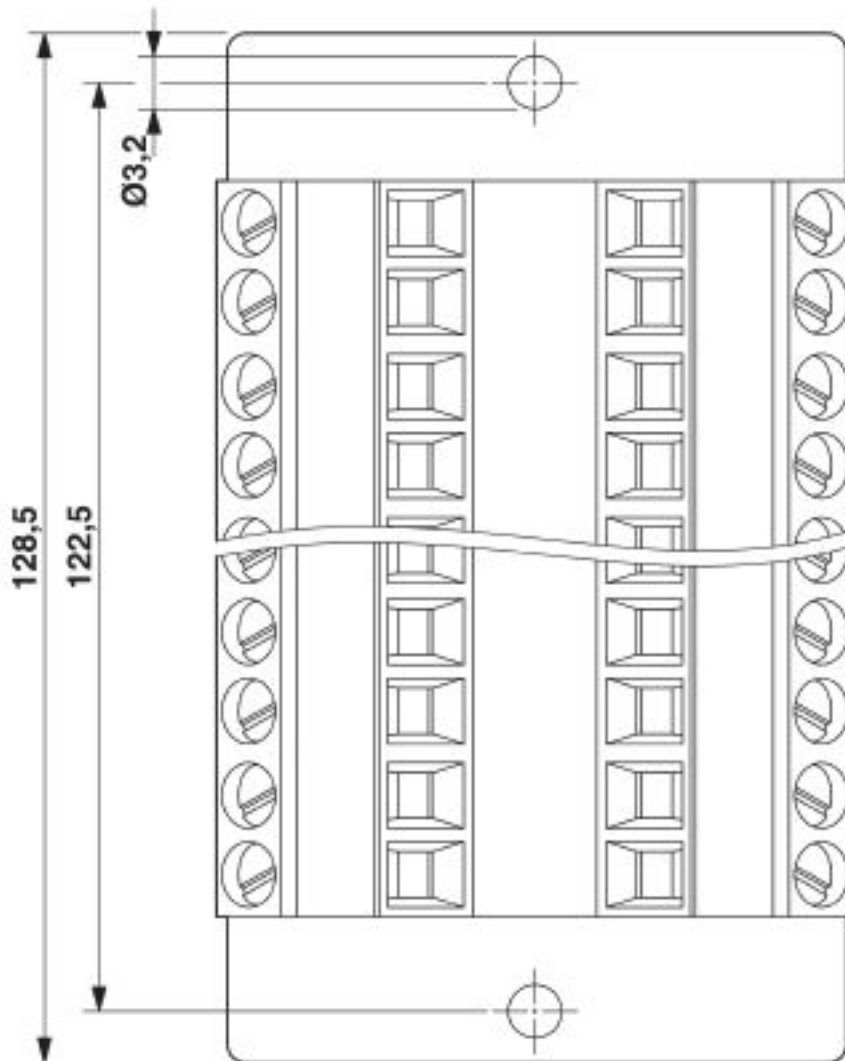
| | |
|----------------------|----|
| Overvoltage category | II |
|----------------------|----|

Environmental Product Compliance

| | |
|------------|---|
| REACH SVHC | Lead 7439-92-1 |
| China RoHS | Environmentally Friendly Use Period = 50 years |
| | For details about hazardous substances go to tab "Downloads", Category "Manufacturer's declaration" |

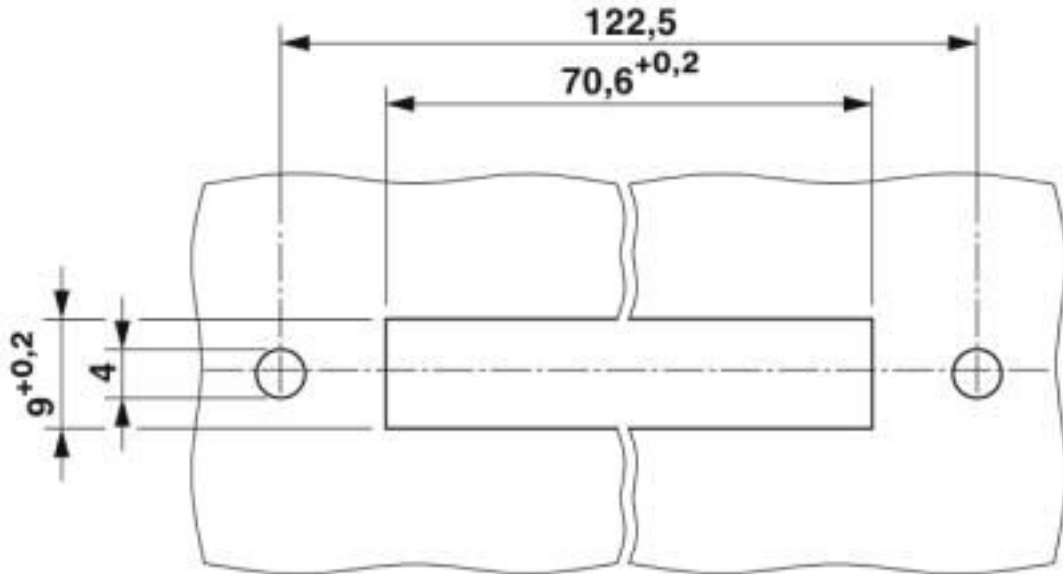
Drawings

Dimensional drawing

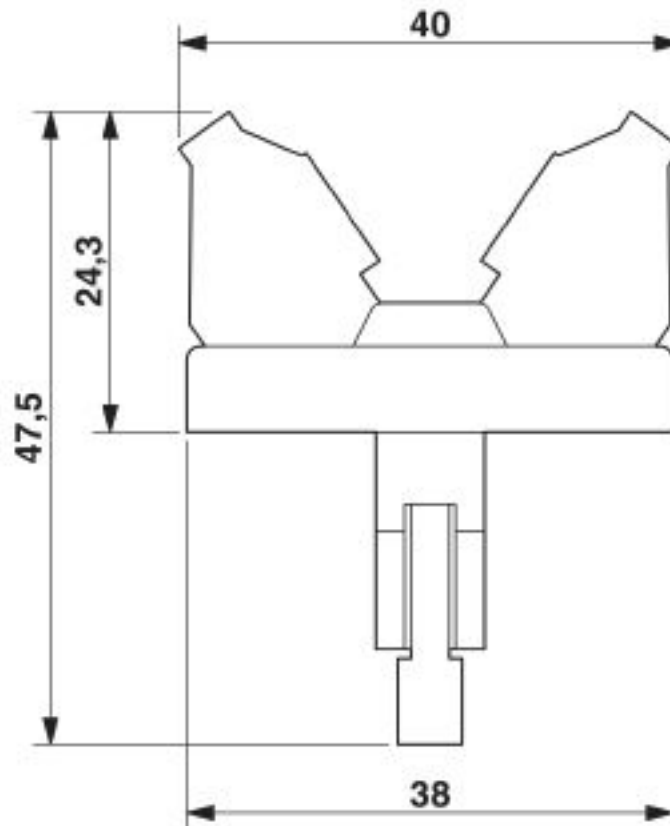


Interface module - DFLK 40 - 2280271

Dimensional drawing



Dimensional drawing



Interface module - DFLK 40 - 2280271

Classifications

eCl@ss

| | |
|---------------|----------|
| eCl@ss 10.0.1 | 27141152 |
| eCl@ss 4.0 | 27250300 |
| eCl@ss 4.1 | 27250300 |
| eCl@ss 5.0 | 27250300 |
| eCl@ss 5.1 | 27250300 |
| eCl@ss 6.0 | 27242600 |
| eCl@ss 7.0 | 27141152 |
| eCl@ss 8.0 | 27141152 |
| eCl@ss 9.0 | 27141152 |

ETIM

| | |
|----------|----------|
| ETIM 4.0 | EC002780 |
| ETIM 5.0 | EC002780 |
| ETIM 6.0 | EC002780 |
| ETIM 7.0 | EC002780 |

UNSPSC

| | |
|---------------|----------|
| UNSPSC 6.01 | 30211824 |
| UNSPSC 7.0901 | 39121421 |
| UNSPSC 11 | 39121421 |
| UNSPSC 12.01 | 39121421 |
| UNSPSC 13.2 | 39121432 |
| UNSPSC 18.0 | 39121432 |
| UNSPSC 19.0 | 39121432 |
| UNSPSC 20.0 | 39121432 |
| UNSPSC 21.0 | 39121432 |

Approvals

Approvals

Approvals

EAC

Ex Approvals

Approval details

Interface module - DFLK 40 - 2280271

Approvals

| | | |
|-----|---|--------------------------|
| EAC |  | RU C- DE.A*30.B.01742 |
|-----|---|--------------------------|

Accessories

Accessories

System cable

Cable - FLK 40/EZ-DR/ 50/KONFEK - 2288985



Round cable set; connection 1: IDC/FLK socket strip (1x 40-position); connection 2: IDC/FLK socket strip (1x 40-position); cable length: 0.5 m

Cable - FLK 40/EZ-DR/ 100/KONFEK - 2288998



Round cable set; connection 1: IDC/FLK socket strip (1x 40-position); connection 2: IDC/FLK socket strip (1x 40-position); cable length: 1 m

Cable - FLK 40/EZ-DR/ 150/KONFEK - 2289007



Round cable set; connection 1: IDC/FLK socket strip (1x 40-position); connection 2: IDC/FLK socket strip (1x 40-position); cable length: 1.5 m

Cable - FLK 40/EZ-DR/ 200/KONFEK - 2289010



Round cable set; connection 1: IDC/FLK socket strip (1x 40-position); connection 2: IDC/FLK socket strip (1x 40-position); cable length: 2 m

Interface module - DFLK 40 - 2280271

Accessories

Cable - FLK 40/EZ-DR/ 250/KONFEK - 2289023



Round cable set; connection 1: IDC/FLK socket strip (1x 40-position); connection 2: IDC/FLK socket strip (1x 40-position); cable length: 2.5 m

Cable - FLK 40/EZ-DR/ 300/KONFEK - 2289036



Round cable set; connection 1: IDC/FLK socket strip (1x 40-position); connection 2: IDC/FLK socket strip (1x 40-position); cable length: 3 m

Cable - FLK 40/EZ-DR/ 350/KONFEK - 2289049



Round cable set; connection 1: IDC/FLK socket strip (1x 40-position); connection 2: IDC/FLK socket strip (1x 40-position); cable length: 3.5 m

Cable - FLK 40/EZ-DR/ 400/KONFEK - 2289052



Round cable set; connection 1: IDC/FLK socket strip (1x 40-position); connection 2: IDC/FLK socket strip (1x 40-position); cable length: 4 m

Cable - FLK 40/EZ-DR/ 600/KONFEK - 2299589



Round cable set; connection 1: IDC/FLK socket strip (1x 40-position); connection 2: IDC/FLK socket strip (1x 40-position); cable length: 6 m

Interface module - DFLK 40 - 2280271

Accessories

Cable - FLK 40/EZ-DR/ 800/KONFEK - 2299592



Round cable set; connection 1: IDC/FLK socket strip (1x 40-position); connection 2: IDC/FLK socket strip (1x 40-position); cable length: 8 m

Cable - FLK 40/EZ-DR/1000/KONFEK - 2299602



Round cable set; connection 1: IDC/FLK socket strip (1x 40-position); connection 2: IDC/FLK socket strip (1x 40-position); cable length: 10 m

Cable - FLK EZ-DR.../.../... - 2295059



Round cable, with preassembly, not shielded, variable cable length

Phoenix Contact 2020 © - all rights reserved
<http://www.phoenixcontact.com>

PHOENIX CONTACT GmbH & Co. KG
Flachsmarktstr. 8
32825 Blomberg
Germany
Tel. +49 5235 300
Fax +49 5235 3 41200
<http://www.phoenixcontact.com>

X-ON Electronics

Largest Supplier of Electrical and Electronic Components

Click to view similar products for [Terminal Block Interface Modules](#) category:

Click to view products by [Phoenix Contact](#) manufacturer:

Other Similar products are found below :

[73-551-6002I](#) [GCN1MX25B](#) [DIN-50P-01](#) [DIN-68H-01](#) [DIN-96DI-01](#) [2291901](#) [2295185](#) [2907794](#) [2M10FCL](#) [FLKM-2I/O](#) [FLKM-4I/O](#)
[2281759](#) [2906251](#) [2907808](#) [5601749](#) [5541962](#) [1776613-1](#) [GCN1-004A](#) [ADAM-3920R-AE](#) [060-6827-06](#) [2311030](#) [2287708](#) [XW2C-20G6-](#)
[IO16](#) [GCN1-T](#) [MACX](#) [MCR-VAC](#) [5775235](#) [ADAM-3956-BE](#) [XW6T-COM2.5X20YL](#) [XW6T-COM1.5X8BL](#) [XW6T-COM1.5X16BL](#)
[XW6T-COM1.5X20YL](#) [XW6T-COM1.5X16YL](#) [XW6T-COM1.5X20RD](#) [XW6T-COM1.5X20BL](#) [XW6T-COM2.5X8BL](#) [1976610000](#) [UM](#)
[45-D50SUB/B/ZFKDS](#) [5541234](#) [410-261](#) [2906243](#) [2906915](#) [2907706](#) [ADAM-3909-AE](#) [ADAM-3920-AE](#) [ADAM-3925-AE](#) [ADAM-3937-](#)
[BE](#) [ADAM-3950-AE](#) [ADAM-3951-BE](#) [ADAM-3968-AE](#) [ADAM-3968/50-AE](#)