

# Solid-state reversing contactor - ELR W3-230AC/500AC-16 - 2297345

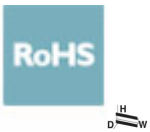
Please be informed that the data shown in this PDF Document is generated from our Online Catalog. Please find the complete data in the user's documentation. Our General Terms of Use for Downloads are valid (<http://phoenixcontact.com/download>)




Three-phase solid-state reversing contactor with 230 V AC input, 16 A output current, zero voltage switch, optionally with thermal fuse

## Your advantages

- Optional thermal fuse
- Stable and short switching times
- Noise and wear-free switching
- Long service life
- Integrated protection circuit
- High switching frequency
- Integrated locking and load wiring



## Key Commercial Data

Packing unit	1 pc
GTIN	 4 046356 175708
GTIN	4046356175708

## Technical data

### Input data

Input name	Control input right/left
Mains frequency	50 Hz 60 Hz
Rated actuating voltage $U_c$	230 V AC
Triggering voltage range	92 V AC ... 253 V AC
Voltage range with reference to $U_c$	0.4 ... 1.1
Rated actuating current $I_c$	11.2 mA
Switching threshold	48 V AC ("0" signal) 96 V AC ("1" signal)

# Solid-state reversing contactor - ELR W3-230AC/500AC-16 - 2297345

## Technical data

### Input data

Protective circuit	Surge protection Varistor
Status display	Yellow LED
Indication	Red LED

### Output data load output

Output name	AC output
Rated operating voltage $U_e$	500 V AC
Operating voltage range	48 V AC ... 575 V AC
Load current range	100 mA ... 16 A (see to derating)
Rated operating current at AC-51	16 A
Rated operating current at AC-53a	12 A
Leakage current	6 mA
Residual voltage	< 1.5 V
Surge current	300 A (t = 10 ms)
Type of protection	RCV circuit

### Connection data, control circuit

Connection name	Control circuits
Connection method	Screw connection
Stripping length	8 mm
Screw thread	M3
Conductor cross section solid	0.2 mm <sup>2</sup> ... 4 mm <sup>2</sup>
Conductor cross section flexible	0.2 mm <sup>2</sup> ... 2.5 mm <sup>2</sup>
Conductor cross section AWG	24 ... 12

### Connection data load circuit

Connection name	Load circuit
Connection method	Screw connection
Stripping length	8 mm
Screw thread	M4
Conductor cross section solid	0.5 mm <sup>2</sup> ... 16 mm <sup>2</sup>
Conductor cross section flexible	0.5 mm <sup>2</sup> ... 16 mm <sup>2</sup>
Conductor cross section AWG	20 ... 6

### General

Test voltage input/output	5 kV <sub>rms</sub>
Switching frequency	max. 1 Hz
Mounting position	Vertical (horizontal DIN rail)
Assembly instructions	Can be aligned with spacing = 40 mm
Operating mode	100% operating factor
Reversing frequency	≤ 2 Hz

### Dimensions

# Solid-state reversing contactor - ELR W3-230AC/500AC-16 - 2297345

## Technical data

### Dimensions

Width	147.5 mm
Height	99 mm
Depth	114.5 mm

### Ambient conditions

Ambient temperature (operation)	-25 °C ... 70 °C
Ambient temperature (storage/transport)	-25 °C ... 70 °C

### Standards and Regulations

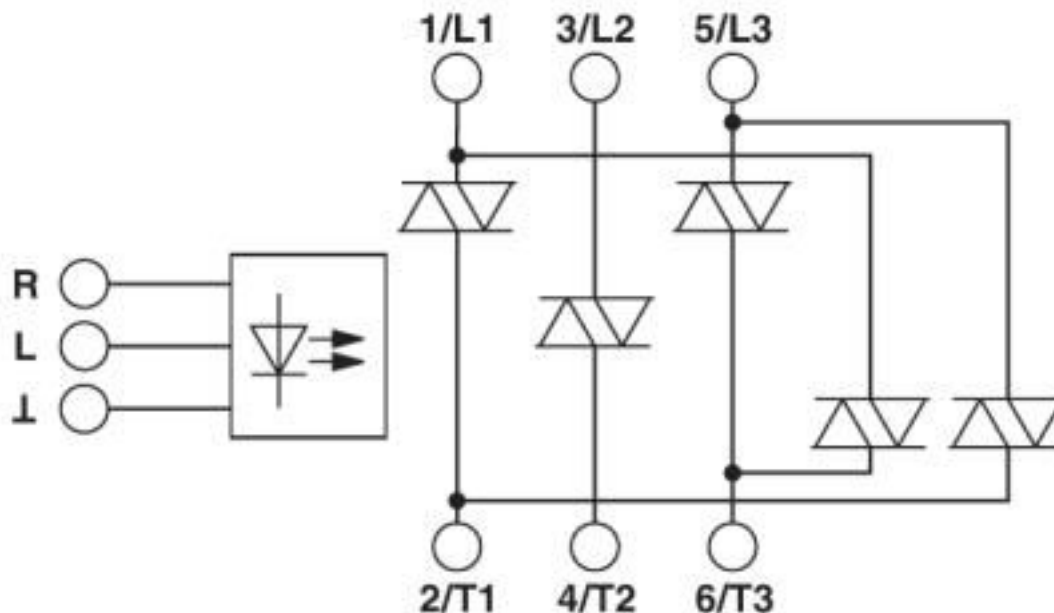
Designation	Standards/regulations
Standards/regulations	DIN EN 50178
	EN 60947

### Environmental Product Compliance

China RoHS	Environmentally Friendly Use Period = 50 years
	For details about hazardous substances go to tab "Downloads", Category "Manufacturer's declaration"

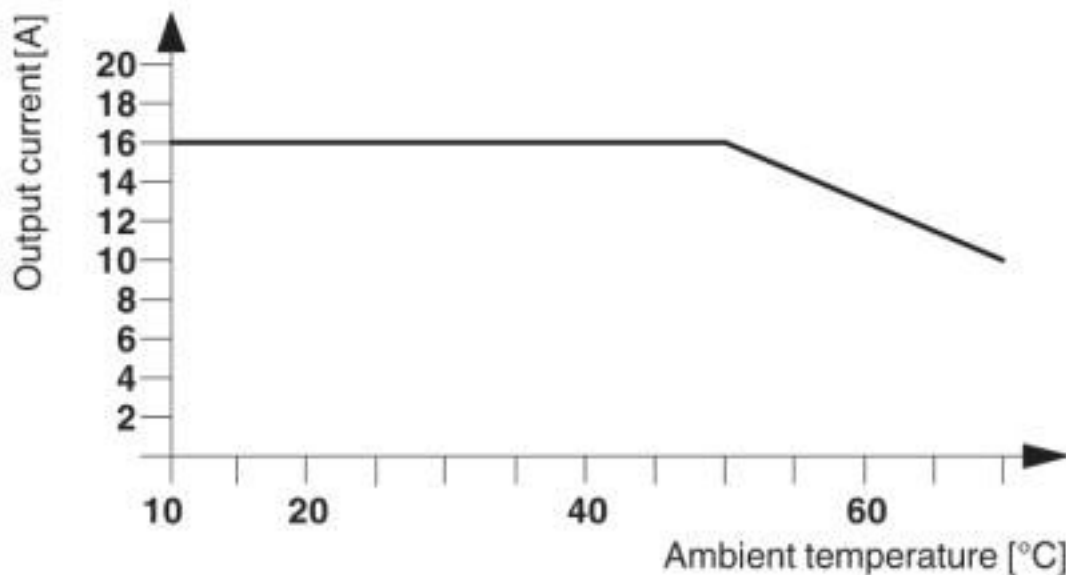
## Drawings

Block diagram



# Solid-state reversing contactor - ELR W3-230AC/500AC-16 - 2297345

Diagram



## Classifications

### eCl@ss

eCl@ss 5.1	27371000
eCl@ss 6.0	27371000
eCl@ss 7.0	27371014
eCl@ss 8.0	27371014
eCl@ss 9.0	27371014

### ETIM

ETIM 4.0	EC002055
ETIM 5.0	EC002055
ETIM 6.0	EC002055
ETIM 7.0	EC002055

### UNSPSC

UNSPSC 6.01	30211915
UNSPSC 7.0901	39121514
UNSPSC 11	39121514
UNSPSC 12.01	39121514
UNSPSC 13.2	39121529
UNSPSC 19.0	39121529

Phoenix Contact 2020 © - all rights reserved  
<http://www.phoenixcontact.com>

PHOENIX CONTACT GmbH & Co. KG  
Flachsmarktstr. 8  
32825 Blomberg  
Germany  
Tel. +49 5235 300  
Fax +49 5235 3 41200  
<http://www.phoenixcontact.com>

## X-ON Electronics

Largest Supplier of Electrical and Electronic Components

*Click to view similar products for [Solid State Relays - Industrial Mount](#) category:*

*Click to view products by [Phoenix Contact](#) manufacturer:*

Other Similar products are found below :

[D2440-C](#) [H10CA4890](#) [D4875C](#) [1395831-1](#) [1616010-6](#) [BR312BY](#) [A-1326](#) [H10CA4850](#) [H12CA4890VL](#) [RA2410-D06](#) [RA2410HA06T](#)  
[D1202F](#) [D53TP50-10](#) [W230E-1-12](#) [W230T-3-12](#) [1-1617030-3](#) [1-1617033-7](#) [MS2-D2420](#) [MS2-D2430](#) [A-1440](#) [RJ1P60V50E](#) [HS501DR-](#)  
[D2425](#) [RN1F48I50](#) [70.362.1028.0](#) [7-1393030-8](#) [Z5.509.0828.0](#) [G3DZ-4B DC24](#) [G3DZ-F4B DC12](#) [2912138](#) [SSRDAC10](#) [RV8S-L-A240-](#)  
[D24](#) [RV8S-L-A240-D6](#) [RV8S-S-A240-D24](#) [RV8S-S-A240-D6](#) [RV8S-S-A240Z-D24](#) [RV8S-S-D24-A240](#) [RV8S-S-D48-A120](#) [RN1F12V50](#)  
[RJ1P60I30E](#) [RJ1P60V30E](#) [SO967860](#) [SMT8628521](#) [SO869970](#) [SOD867180](#) [SAL961360](#) [SO867970](#) [SOB863860](#) [SOB867640](#) [SOB942360](#)  
[G3PH-5150B DC5-24](#)