

# Motor management - EMM 3-230AC/500AC-IFS - 2297507

Please be informed that the data shown in this PDF Document is generated from our Online Catalog. Please find the complete data in the user's documentation. Our General Terms of Use for Downloads are valid (<http://phoenixcontact.com/download>)



Electronic motor management for operation with external current transformer- active power measurement for overload and underload monitoring of motors and systems for optimum protection for all performance classes. Freely parameterizable switching and signaling thresholds.

## Your advantages

- Optional connection to INTERFACE system and PROFIBUS-GATEWAY-IFS via TBUS
- Digital outputs control external switching elements
- Freely parameterizable signaling or switching thresholds



## Key Commercial Data

Packing unit	1 pc
GTIN	
GTIN	4046356175760

## Technical data

### Note

Utilization restriction	EMC: class A product, see manufacturer's declaration in the download area
-------------------------	---

### Dimensions

Width	22.5 mm
Height	99 mm
Depth	114.5 mm

### Ambient conditions

Ambient temperature (operation)	-25 °C ... 70 °C
Ambient temperature (storage/transport)	-25 °C ... 70 °C
Degree of protection	IP20

### Input data

Input name	Device supply
------------	---------------

# Motor management - EMM 3-230AC/500AC-IFS - 2297507

## Technical data

### Input data

Rated control circuit supply voltage $U_s$	230 V AC
Control supply voltage range	92 V AC ... 253 V AC
Rated control supply current $I_s$	10 mA
Switching threshold	48 V AC ("0" signal)
	96 V AC ("1" signal)
Input name	Digital inputs (IN1 - IN4)
Number of inputs	4 (IN1 - IN4)
Rated actuating voltage $U_c$	230 V AC
Rated actuating current $I_c$	3.5 mA

### Output data

Output name	Acknowledging contacts O1-O4
Note	The meaning of the acknowledgement outputs can be freely parameterized, see user manual
Number of outputs	4
Nominal output voltage	230 V AC (Relay output)
Continuous load current	500 mA

### Current measurement

Measuring via	External push-through current transformers connected upstream
Basic accuracy	typ. 0.5 %

### Voltage measurement/phase-to-neutral voltage

Voltage range	0 V AC ... 350 V AC (Phase-to-neutral voltage)
Basic accuracy	typ. 0.75 %

### Power measurement

Power range	4.5 kW (x amplitude transmission factor for current transformer)
Basic accuracy	typ. 2 %

### General

Test voltage input/output	8 kV
Mounting position	Vertical (horizontal DIN rail)
Assembly instructions	In rows with zero spacing
Operating mode	100% operating factor
Operating voltage display	Green LED
Status display	LED yellow right rotation (R), LED yellow left rotation (L), LED green data communication
Indication	Red LED

### Connection data

Connection name	Control circuits
Connection method	Screw connection
Stripping length	8 mm
Screw thread	M3

# Motor management - EMM 3-230AC/500AC-IFS - 2297507

## Technical data

### Connection data

Conductor cross section solid	0.2 mm <sup>2</sup> ... 2.5 mm <sup>2</sup>
Conductor cross section flexible	0.2 mm <sup>2</sup> ... 2.5 mm <sup>2</sup>
Conductor cross section AWG	24 ... 14

### Connection data 2

Connection name	Load circuit
Connection method	Screw connection
Stripping length	8 mm
Screw thread	M3
Conductor cross section solid	0.2 mm <sup>2</sup> ... 2.5 mm <sup>2</sup>
Conductor cross section flexible	0.2 mm <sup>2</sup> ... 2.5 mm <sup>2</sup>
Conductor cross section AWG	24 ... 14

### Standards and Regulations

Designation	Standards/regulations
Standards/regulations	DIN EN 50178
	EN 60947
	EN 60947-4-2

### Insulation characteristics

Rated insulation voltage	500 V
Rated surge voltage	6 kV
Overvoltage category	III
Degree of pollution	2
Designation	Insulation characteristics between the input and output circuits
Insulation	Safe isolation (IEC 60947-1)
Designation	Insulation characteristics between the thermistor input and output
Insulation	Basic insulation (IEC 60947-1)

### Conformance/approvals

Designation	ATEX
Identification	# II (2) G [Ex e] [Ex d] [Ex px]
	# II (2) D [Ex t] [Ex p]
Certificate	PTB 10 ATEX 3024
Designation	UL, USA/Canada
Certificate	NKCR.E140324
Designation	Safety Integrity Level (SIL, IEC 61508)
Identification	≤ 1
Additional text	Safe shutdown
Designation	Safety Integrity Level (SIL, IEC 61508)
Identification	1
Additional text	Motor protection
Designation	Category (ISO 13849)

# Motor management - EMM 3-230AC/500AC-IFS - 2297507

## Technical data

### Conformance/approvals

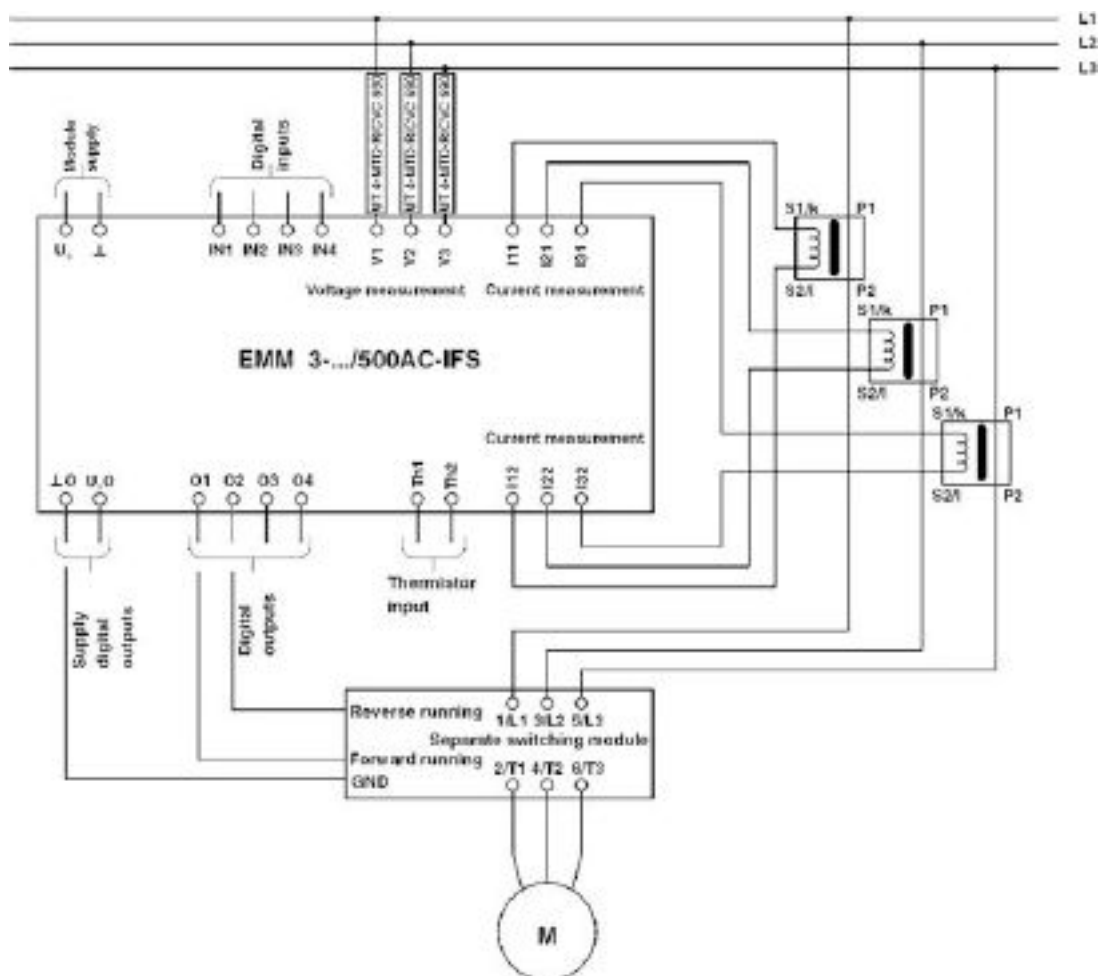
Identification	≤ 1
Additional text	Safe shutdown
Designation	Performance Level
Identification	≤ b
Additional text	Safe shutdown

### Environmental Product Compliance

REACH SVHC	Lead 7439-92-1
China RoHS	Environmentally Friendly Use Period = 50 years
	For details about hazardous substances go to tab "Downloads", Category "Manufacturer's declaration"

## Drawings

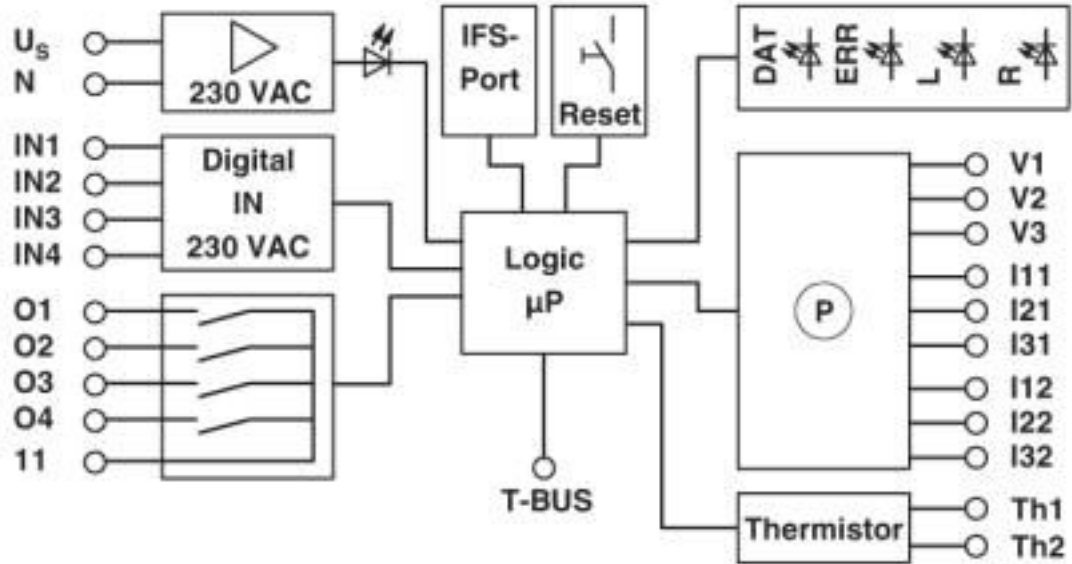
Connection diagram



EMM 3-.../500AC-IFS with connected CONTACTRON VOLTAGE CONVERTER

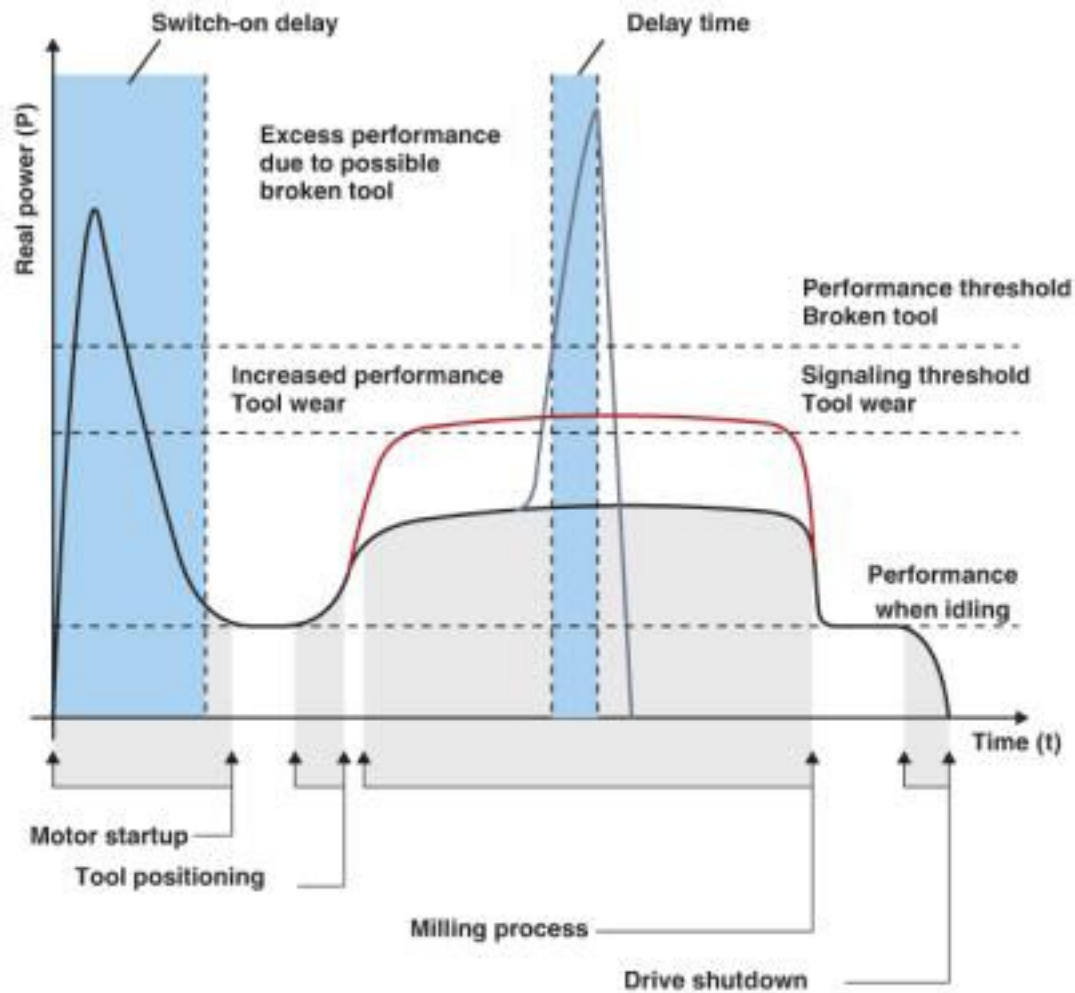
# Motor management - EMM 3-230AC/500AC-IFS - 2297507

Block diagram



# Motor management - EMM 3-230AC/500AC-IFS - 2297507

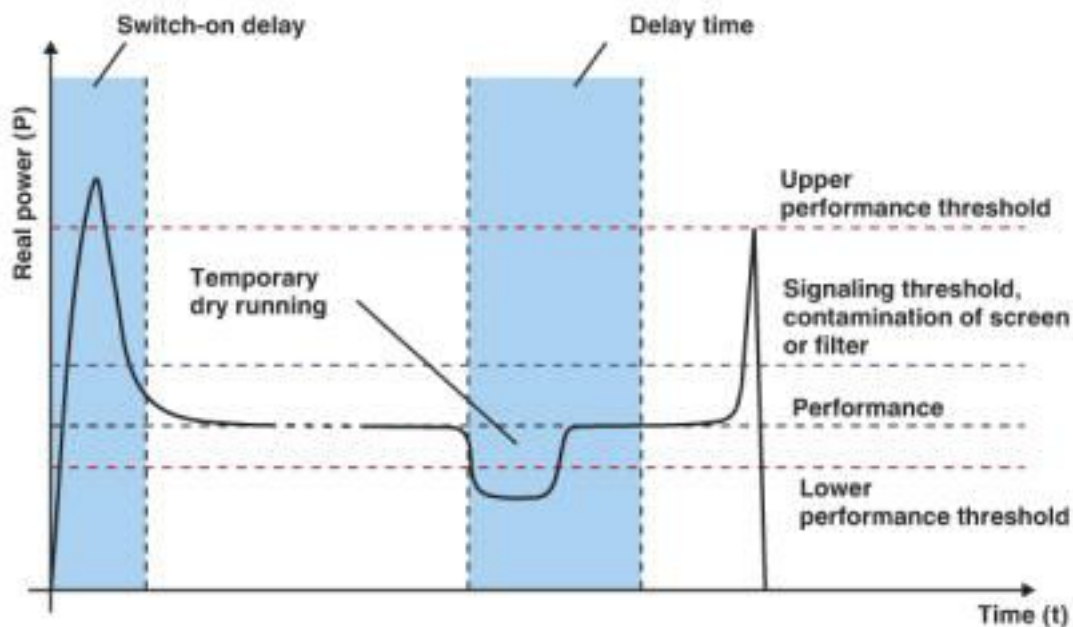
Diagram



Status monitoring: machine tool for milling

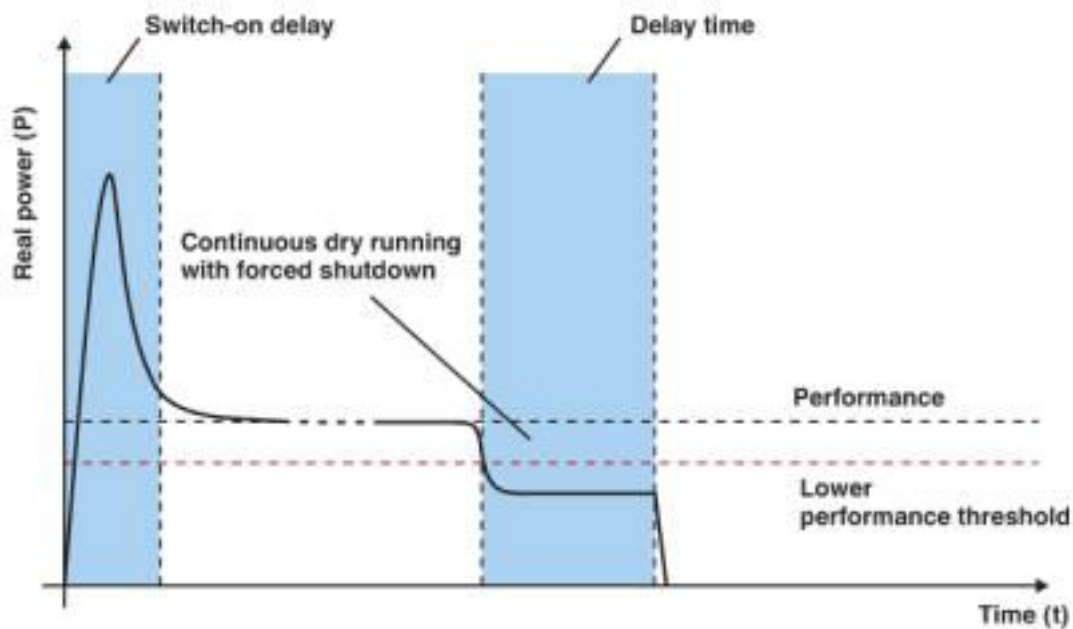
# Motor management - EMM 3-230AC/500AC-IFS - 2297507

Diagram



Status monitoring: air bubbles in motor-operated pumps

Diagram



Status monitoring: dry run in motor-operated pumps

# Motor management - EMM 3-230AC/500AC-IFS - 2297507

## Classifications

### eCl@ss

eCl@ss 10.0.1	27370804
eCl@ss 4.0	27371100
eCl@ss 4.1	27371100
eCl@ss 5.0	27371600
eCl@ss 5.1	27371600
eCl@ss 6.0	27370800
eCl@ss 7.0	27370804
eCl@ss 8.0	27370804
eCl@ss 9.0	27370804

### ETIM

ETIM 4.0	EC002572
ETIM 5.0	EC002572
ETIM 6.0	EC002572
ETIM 7.0	EC002572

### UNSPSC

UNSPSC 6.01	30211915
UNSPSC 7.0901	39121514
UNSPSC 11	39121514
UNSPSC 12.01	39121514
UNSPSC 13.2	39121104
UNSPSC 18.0	39121104
UNSPSC 19.0	39121104
UNSPSC 20.0	39121104
UNSPSC 21.0	39121104

## Approvals

### Approvals

---

Approvals

UL Listed / cUL Listed / EAC / cULus Listed

---

Ex Approvals

ATEX

---

### Approval details



# Motor management - EMM 3-230AC/500AC-IFS - 2297507

## Approvals

UL Listed		<a href="http://database.ul.com/cgi-bin/XYV/template/LISEXT/1FRAME/index.htm">http://database.ul.com/cgi-bin/XYV/template/LISEXT/1FRAME/index.htm</a>	FILE E 140324
-----------	--	---	---------------

cUL Listed		<a href="http://database.ul.com/cgi-bin/XYV/template/LISEXT/1FRAME/index.htm">http://database.ul.com/cgi-bin/XYV/template/LISEXT/1FRAME/index.htm</a>	FILE E 140324
------------	--	---	---------------

EAC			RU*C- DE.*08.B.00520*
-----	--	--	--------------------------

cULus Listed			
--------------	--	--	--

## Accessories

### Accessories

#### Configuration set

Configuration package - MM-CONF-SET - 2297992



Configuration package for the EMM ... IFS, comprising CONTACTRON-DTM-IFS, USB programming adapter, and user manual on CD.

---

#### Connector set

Plug - IMC 1,5/ 5-ST-3,81SET IL IFS 2M - 1784729

Assembled connecting cable, IL-IFS, 2 m in length

---

#### Data cable preassembled

Data cable - IFS-USB-DATACABLE - 2320500



Used for communicating between industrial PCs and Phoenix Contact devices with the 12-pos. IFS data port, such as QUINT UPS or TRIO UPS.

## Motor management - EMM 3-230AC/500AC-IFS - 2297507

### Accessories

#### Device marking

##### Plastic label - US-EMLP (15X5) - 0828790



Plastic label, Card, white, unlabeled, can be labeled with: BLUEMARK ID COLOR, BLUEMARK ID, THERMOMARK PRIME, THERMOMARK CARD 2.0, THERMOMARK CARD, mounting type: adhesive, lettering field size: 15 x 5 mm, Number of individual labels: 189

---

##### Plastic label - UC-EMLP (15X5) - 0819301



Plastic label, Sheet, white, unlabeled, can be labeled with: BLUEMARK ID COLOR, BLUEMARK ID, BLUEMARK CLED, PLOTMARK, CMS-P1-PLOTTER, mounting type: adhesive, lettering field size: 15 x 5 mm, Number of individual labels: 10

---

#### DIN rail connector

##### DIN rail bus connectors - ME 22,5 TBUS 1,5/ 5-ST-3,81 GY - 2201937



DIN rail connector, nominal current: 8 A, rated voltage (III/2): 125 V, number of positions: 5, pitch: 3.81 mm, color: gray, mounting: DIN rail, Item with gold-plated contacts, bus connectors for connecting with electronics housings, 5 parallel contacts

---

#### Gateways/Proxies

##### Data interface - EM-PB-GATEWAY-IFS - 2297620



Gateway for the connection of up to 32 INTERFACE system devices to a higher-level controller via PROFIBUS DP. The INTERFACE system devices are connected to the Gateway via DIN rail connectors, the DIN rail connectors are provided.

---

##### Data interface - EM-RS232-GATEWAY-IFS - 2901526



Gateway for the connection of up to 32 INTERFACE system devices to a higher-level controller via Modbus/RS-232. The INTERFACE system devices are connected to the Gateway via DIN rail connectors, the DIN rail connectors are provided.

# Motor management - EMM 3-230AC/500AC-IFS - 2297507

## Accessories

### Data interface - EM-RS485-GATEWAY-IFS - 2901527



Gateway for the connection of up to 32 INTERFACE system devices to a higher-level controller via Modbus/RS-485. The INTERFACE system devices are connected to the Gateway via DIN rail connectors, the DIN rail connectors are provided.

---

### Data interface - EM-MODBUS-GATEWAY-IFS - 2901528



Gateway for the connection of up to 32 INTERFACE system devices via Modbus/TCP to a higher-level controller. The INTERFACE system devices are connected to the Gateway via DIN rail connectors, the DIN rail connectors are provided.

---

### Data interface - EM-DNET-GATEWAY-IFS - 2901529



Gateway for the connection of up to 32 INTERFACE system devices to a higher-level controller via DeviceNet™. The INTERFACE system devices are connected to the Gateway via DIN rail connectors, the DIN rail connectors are provided.

---

### Data interface - EM-CAN-GATEWAY-IFS - 2901504



Gateway for the connection of up to 32 INTERFACE system devices to a higher-level controller via CANopen®. The INTERFACE system devices are connected to the Gateway via DIN rail connectors, the DIN rail connectors are provided.

---

### Data interface - EM-PNET-GATEWAY-IFS - 2904472



Gateway for the connection of up to 32 INTERFACE system devices via PROFINET to a higher-level controller. The INTERFACE system devices are connected to the Gateway via DIN rail connectors, the DIN rail connectors are provided.

---

## Motor management - EMM 3-230AC/500AC-IFS - 2297507

### Accessories

Data interface - EM-ETH-GATEWAY-IFS - 2901988



Gateway for the connection of up to 32 INTERFACE system devices to a higher-level controller via EtherNet/IP™. The INTERFACE system devices are connected to the Gateway via DIN rail connectors, the DIN rail connectors are provided.

---

### Memory block

Memory block - IFS-CONFSTICK-L - 2901103



Multi-functional memory block with handle for the INTERFACE system; for easy storage and back up of the configuration.

---

Memory block - IFS-CONFSTICK - 2986122



Multi-functional memory block for the INTERFACE system for easy storage and backup of the configuration.

---

### PCB plug

Printed-circuit board connector - MC 1,5/ 5-ST-3,81 - 1803604



PCB connector, nominal current: 8 A, rated voltage (III/2): 160 V, nominal cross section: 1.5 mm<sup>2</sup>, number of positions: 5, pitch: 3.81 mm, connection method: Screw connection with tension sleeve, color: green, contact surface: Tin

---

Printed-circuit board connector - IMC 1,5/ 5-ST-3,81 - 1857919



PCB connector, nominal current: 8 A, rated voltage (III/2): 160 V, nominal cross section: 1.5 mm<sup>2</sup>, number of positions: 5, pitch: 3.81 mm, connection method: Screw connection with tension sleeve, color: green, contact surface: Tin

---

### Voltage transducer

## Motor management - EMM 3-230AC/500AC-IFS - 2297507

### Accessories

Feed-through terminal block - UT 4-MTD-R/CVC 690/SET - 2901667



The voltage transducer set makes it possible to insert the electronic motor management module (EMM 3-.../500AC-IFS) in 690 V mains.

---

### Necessary add-on products

Data cable - IFS-USB-DATACABLE - 2320500



Used for communicating between industrial PCs and Phoenix Contact devices with the 12-pos. IFS data port, such as QUINT UPS or TRIO UPS.

---

Phoenix Contact 2020 © - all rights reserved  
<http://www.phoenixcontact.com>

PHOENIX CONTACT GmbH & Co. KG  
Flachsmarktstr. 8  
32825 Blomberg  
Germany  
Tel. +49 5235 300  
Fax +49 5235 3 41200  
<http://www.phoenixcontact.com>

## X-ON Electronics

Largest Supplier of Electrical and Electronic Components

*Click to view similar products for [Controllers](#) category:*

*Click to view products by [Phoenix Contact](#) manufacturer:*

Other Similar products are found below :

[61FGPN8DAC120](#) [CV500SLK21](#) [70177-1011](#) [F03-03 HAS C](#) [F03-31](#) [81550401](#) [FT1A-C12RA-W](#) [88981106](#) [H2CAC24A](#) [H2CRSAC110B](#)  
[R88A-CRGB003CR-E](#) [R88ARR080100S](#) [R88A-TK01K](#) [DCN1-1](#) [DRT2ID08C](#) [DTB4896VRE](#) [DTB9696CVE](#) [DTB9696LVE](#) [E53-AZ01](#)  
[E53E01](#) [E53E8C](#) [E5C4Q40J999FAC120](#) [E5CWLQ1TCAC100240](#) [E5GNQ03PFLKACDC24](#) [B300LKL21](#) [NSCXDC1V3](#) [NSH5-232CW-3M](#)  
[NT20SST122BV1](#) [NV-CN001](#) [OAS-160-N](#) [C40PEDRA](#) [K31S6](#) [K33-L1B](#) [K3MA-F](#) [100-240VAC](#) [K3TX-AD31A](#) [89750101](#) [L595020](#)  
[SRM1-C02](#) [SRS2-1](#) [FT1A-C14SA-S](#) [G32X-V2K](#) [26546803](#) [26546805](#) [PWRA440A](#) [CPM1AETL03CH](#) [CV500SLK11](#) [3G2A5BI081](#)  
[3G2A5IA122](#) [3G2A5LK010E](#) [3G2A5OA223](#)