


## Active module - UM-32 NAM/I/M/DV - 2305046

Please be informed that the data shown in this PDF Document is generated from our Online Catalog. Please find the complete data in the user's documentation. Our General Terms of Use for Downloads are valid (<http://phoenixcontact.com/download>)



Module with 32 proximity switches (Namur) for input cards of the Delta V control system)

### Key Commercial Data

Packing unit	1 pc
GTIN	 4 017918 995744
GTIN	4017918995744

### Technical data

#### Dimensions

Width	180.5 mm
Height	125.5 mm
Depth	76 mm

#### Ambient conditions

Ambient temperature (operation)	-20 °C ... 50 °C
Ambient temperature (storage/transport)	-20 °C ... 70 °C

#### Input data

Nominal input voltage $U_N$	24 V DC $\pm 20\%$
Typical input current at $U_N$	max. 320 mA
Type of protection	Reverse polarity protection
Protective circuit/component	Polarity protection diode
Type of protection	Fuse
Protective circuit/component	Fuse (400 mA)
Operating voltage display	Green LED
Transmission frequency	350 Hz

#### Output data

## Active module - UM-32 NAM/I/M/DV - 2305046

### Technical data

#### Output data

Maximum switching voltage	30 V DC
Limiting continuous current	10 mA
Operating voltage display	Green LED
Error detection (line break / short-circuit)	LED red

#### Control circuit

Non-load voltage	8.2 V DC $\pm$ 10 %
Switching point	$\geq$ 2.1 mA (In conductive state)
	$\leq$ 1.2 mA (In blocking state)
	6.3 mA ... 10 mA (in the event of a short-circuit)
	0 mA ... 0.35 mA (In the event of a wire break)
Switching hysteresis	approx. 0.2 mA
Internal resistance	approx. 1 k $\Omega$
Short-circuit current	$\leq$ 10 mA

#### General

No. of channels	32
Mounting position	any
Assembly instructions	In rows with zero spacing
Housing insulation material	Polyamide PA non-reinforced
Color	green

#### Connection data

Connection name	Field level
Connection in acc. with standard	IEC / EN
Connection method	Screw connection
Stripping length	8 mm
Screw thread	M3
Number of connections	103
Number of positions	6
Conductor cross section solid	0.2 mm <sup>2</sup> ... 4 mm <sup>2</sup>
Conductor cross section flexible	0.2 mm <sup>2</sup> ... 2.5 mm <sup>2</sup>
Conductor cross section AWG	24 ... 12

#### Connection data 2

Connection name	Controller level
Connection method	IDC/FLK pin strip
Number of connections	1
Number of positions	50
Pitch	2.54 mm

#### Supported controller

Controller	Emerson DeltaV
------------	----------------

# Active module - UM-32 NAM/I/M/DV - 2305046

## Technical data

### Supported controller

- suitable I/O card	VE4001S2T2B5
---------------------	--------------

### Standards and Regulations

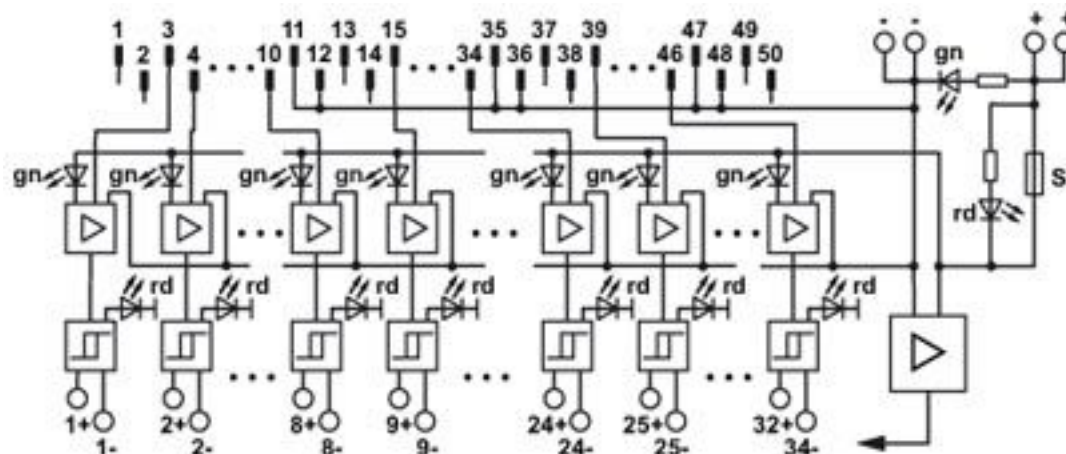
Standards/regulations	DIN EN 50178
Rated surge voltage	0.4 kV (basic insulation)
Pollution degree	2
Overvoltage category	I

### Environmental Product Compliance

REACH SVHC	Lead 7439-92-1
China RoHS	Environmentally Friendly Use Period = 50 years
	For details about hazardous substances go to tab "Downloads", Category "Manufacturer's declaration"

## Drawings

Connection diagram



## Classifications

### eCl@ss

eCl@ss 4.0	27371100
eCl@ss 4.1	27371100
eCl@ss 5.0	27371000
eCl@ss 5.1	27371000
eCl@ss 6.0	27371000
eCl@ss 7.0	27141152
eCl@ss 8.0	27141152
eCl@ss 9.0	27141152

## Active module - UM-32 NAM/I/M/DV - 2305046

### Classifications

#### ETIM

ETIM 5.0	EC002780
ETIM 6.0	EC002780
ETIM 7.0	EC002780

#### UNSPSC

UNSPSC 6.01	30211916
UNSPSC 7.0901	39121515
UNSPSC 11	39121515
UNSPSC 12.01	39121515
UNSPSC 13.2	39121432
UNSPSC 19.0	39121432

### Accessories

#### Accessories

##### Fuse

Fuse set - VF-SI/TR5/0,4AT - 2900997



Fuse set, number: 8 Pcs., fuse type: Fuse (TR5), nominal current: 0.4 A, tripping characteristic: slow-blow (T)

---

Phoenix Contact 2020 © - all rights reserved  
<http://www.phoenixcontact.com>

PHOENIX CONTACT GmbH & Co. KG  
Flachmarktstr. 8  
32825 Blomberg  
Germany  
Tel. +49 5235 300  
Fax +49 5235 3 41200  
<http://www.phoenixcontact.com>

## X-ON Electronics

Largest Supplier of Electrical and Electronic Components

*Click to view similar products for [Terminal Block Interface Modules](#) category:*

*Click to view products by [Phoenix Contact](#) manufacturer:*

Other Similar products are found below :

[73-551-6002I](#) [GCN1MX25B](#) [DIN-50P-01](#) [DIN-68H-01](#) [DIN-96DI-01](#) [2291901](#) [2295185](#) [2907794](#) [2M10FCL](#) [FLKM-2I/O](#) [FLKM-4I/O](#)  
[2281759](#) [2906251](#) [2907808](#) [5601749](#) [5541962](#) [1776613-1](#) [GCN1-004A](#) [ADAM-3920R-AE](#) [060-6827-06](#) [2311030](#) [2287708](#) [XW2C-20G6-](#)  
[IO16](#) [GCN1-T](#) [MACX](#) [MCR-VAC](#) [5775235](#) [ADAM-3956-BE](#) [XW6T-COM2.5X20YL](#) [XW6T-COM1.5X8BL](#) [XW6T-COM1.5X16BL](#)  
[XW6T-COM1.5X20YL](#) [XW6T-COM1.5X16YL](#) [XW6T-COM1.5X20RD](#) [XW6T-COM1.5X20BL](#) [XW6T-COM2.5X8BL](#) [1976610000](#) [UM](#)  
[45-D50SUB/B/ZFKDS](#) [5541234](#) [410-261](#) [902056](#) [2906243](#) [2906915](#) [2907706](#) [ADAM-3909-AE](#) [ADAM-3920-AE](#) [ADAM-3925-AE](#)  
[ADAM-3937-BE](#) [ADAM-3950-AE](#) [ADAM-3951-BE](#) [ADAM-3968-AE](#)