

Front adapters - FLKM S115/S7/FLK50/PLC/SO137 - 2306294

Please be informed that the data shown in this PDF Document is generated from our Online Catalog. Please find the complete data in the user's documentation. Our General Terms of Use for Downloads are valid (<http://phoenixcontact.com/download>)



Converter for SIMATIC® S5-115 on 50- pos. FLK strip over which an S7 control can be coupled. Conversion: 6ES5 420-7LA11 / 6ES5 430-7LA11 on 6ES7 321-1BL00-0AA0 or 6ES5 441-7LA11 / 6ES5 451-7LA11 on 6ES7 322-1BL00-0AA0

Product Description

The old SIMATIC® S5 115 plug is plugged into the VARIOFACE-S5-S7 adapter, the connection to SIMATIC® S7 400 or SIMATIC® S7 300 is via a VARIOFACE system cable, e.g. FLK 50/EZ-DR/.../KONFEK and the VARIOFACE front adapter for SIMATIC® S7 FLKM 50-PA-S400 or FLKM 50-PA-S300.

Key Commercial Data

Packing unit	1 pc
GTIN	
GTIN	4017918956905

Technical data

Note

Type of note	Order information:
Note	<p>The components for setting up an adapter carrier as in the application example (data sheet in the download area), which can be used to secure the migration adapter, can be obtained from Heitec AG based in Eckental-Eschenau, Germany. The following order numbers are required for carrier setup:</p> <ul style="list-style-type: none"> 3685.896 (2 pcs.) 3684.629 (1 pc.) 3684.562 (2 pcs.) 3687.015 (1 unit pack) 3684.610 (2 pcs.) 3684.572 (2 pcs.) 3684.881 (10 pcs.) 3685.837 (10 pcs.) 3685.832 (10 pcs.)

Ambient conditions

Ambient temperature (operation)	-20 °C ... 50 °C
Ambient temperature (storage/transport)	-20 °C ... 70 °C

Front adapters - FLKM S115/S7/FLK50/PLC/SO137 - 2306294

Technical data

Ambient conditions

Degree of protection	IP00
----------------------	------

General

Max. permissible operating voltage	60 V DC
Max. permissible current	1 A (per path)
Max. permissible total current	2 A (per byte)
Mounting position	any

Connection data

Connection name	Field level
Connection method	IDC/FLK pin strip
Number of connections	1
Number of positions	50
Pitch	2.54 mm

Supported controller

Controller	SIEMENS S5-115 U
- suitable I/O card	6ES5 420-7LA11
	6ES5 430-7LA11
	6ES5 441-7LA11
	6ES5 451-7LA11

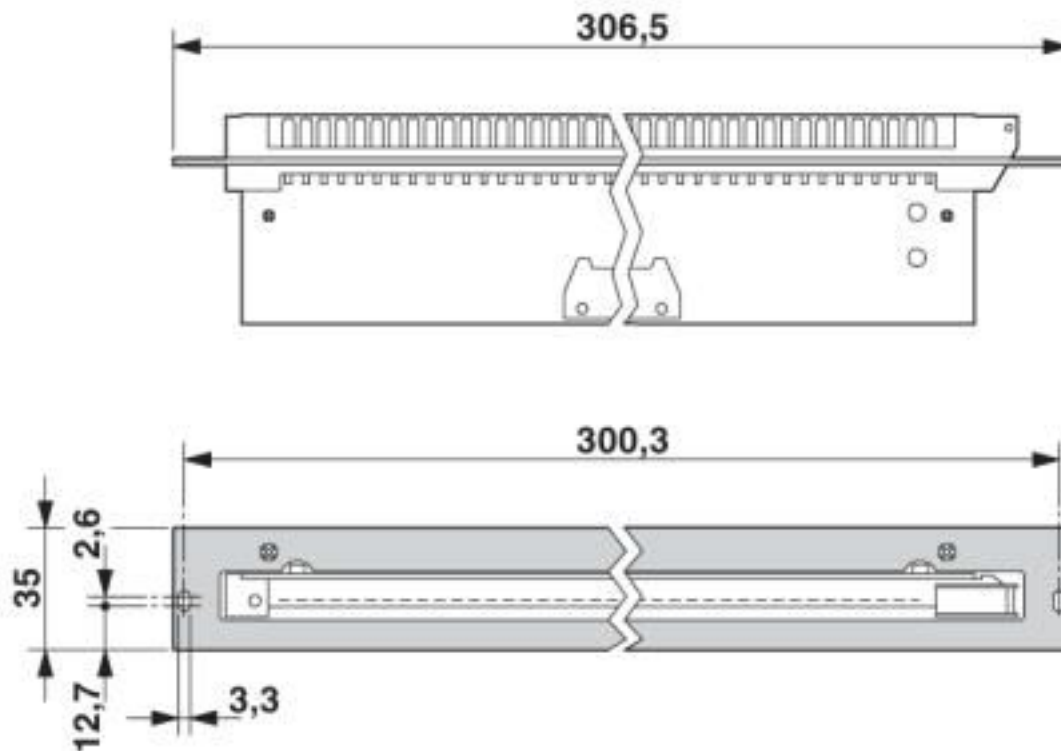
Environmental Product Compliance

China RoHS	Environmentally Friendly Use Period = 50 years
	For details about hazardous substances go to tab "Downloads", Category "Manufacturer's declaration"

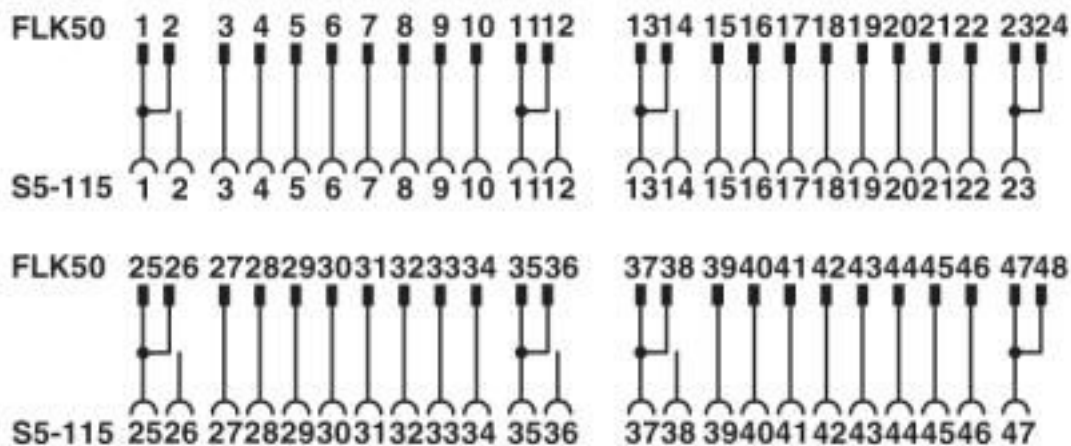
Drawings

Front adapters - FLKM S115/S7/FLK50/PLC/SO137 - 2306294

Dimensional drawing



Circuit diagram



Connection scheme: FLKM S115/S7/FLK50/PLC/SO137

Classifications

eCl@ss

eCl@ss 10.0.1	27242292
eCl@ss 4.0	27250300
eCl@ss 4.1	27250300

Front adapters - FLKM S115/S7/FLK50/PLC/SO137 - 2306294

Classifications

eCl@ss

eCl@ss 5.0	27250300
eCl@ss 5.1	27250300
eCl@ss 6.0	27249200
eCl@ss 7.0	27249290
eCl@ss 8.0	27249290
eCl@ss 9.0	27242292

ETIM

ETIM 4.0	EC002584
ETIM 5.0	EC002584
ETIM 6.0	EC002584
ETIM 7.0	EC002584

UNSPSC

UNSPSC 6.01	30211824
UNSPSC 7.0901	39121421
UNSPSC 11	39121421
UNSPSC 12.01	39121421
UNSPSC 13.2	32151601
UNSPSC 18.0	32151601
UNSPSC 19.0	32151601
UNSPSC 20.0	32151601
UNSPSC 21.0	32151601

Approvals

Approvals

Approvals

EAC

Ex Approvals

Approval details

EAC		RU C- DE.A*30.B.01742
-----	--	--------------------------

Phoenix Contact 2020 © - all rights reserved
<http://www.phoenixcontact.com>

PHOENIX CONTACT GmbH & Co. KG
Flachsmarktstr. 8
32825 Blomberg
Germany
Tel. +49 5235 300
Fax +49 5235 3 41200
<http://www.phoenixcontact.com>

X-ON Electronics

Largest Supplier of Electrical and Electronic Components

Click to view similar products for [Terminal Block Tools & Accessories](#) category:

Click to view products by [Phoenix Contact](#) manufacturer:

Other Similar products are found below :

[00171430102](#) [00171420102](#) [600HL](#) [600RJ-07](#) [600RJ-11](#) [600RJ-14](#) [600RJS-10](#) [600RJS-12](#) [600RJS-15](#) [600RJS-21](#) [601RJ-09](#) [602SP](#) [602Z](#)
[604J](#) [CSTSPC1-2](#) [7B941-7](#) [88943-2100](#) [QC102](#) [1437403-6](#) [1437403-9](#) [1437403-8](#) [1453128-1](#) [147832-1](#) [EC0037-000](#) [MT2/H--](#) [MT6/H-N](#)
[MT6/V-GRND](#) [MT8/H-51-60](#) [BC2-12](#) [BCC-1-8/10](#) [EP2.5/4UN/BG](#) [1707755](#) [1735590](#) [1755480](#) [1789281](#) [1840227](#) [1840230](#) [2-1437402-1](#)
[JA2-03](#) [JB1-03/J](#) [JB2-04](#) [JB2-05](#) [JB2-07](#) [JB2-09/J](#) [PARALLELJUMPERLINK](#) [JS601](#) [2204082](#) [2302463](#) [2305949](#) [8PCV-BUSHING](#)