

## Universal current transducer - MCR-SL-CUC-300-I - 2308043

Please be informed that the data shown in this PDF Document is generated from our Online Catalog. Please find the complete data in the user's documentation. Our General Terms of Use for Downloads are valid (<http://phoenixcontact.com/download>)




Universal current transducer, for measuring AC, DC, and distorted currents, 0 ... 300 A input current, 4 ... 20 mA output

### Your advantages

- ✓ Variable mounting on DIN rail and mounting plate
- ✓ Compact dimensions also enable distributed use
- ✓ Simple connection technology thanks to COMBICON plug-in connection terminal blocks
- ✓ 3-way isolation
- ✓ Universal current measurement, no shunt required

### Key Commercial Data

|              |   |
|--------------|---|
| Packing unit | 1 pc  |
| GTIN         | <br>4 046356 434041 |
| GTIN         | 4046356434041   |

### Technical data

#### Dimensions

|                                    |         |
|------------------------------------|---------|
| Width                              | 90 mm   |
| Height                             | 33.8 mm |
| Depth                              | 85 mm   |
| Primary round conductor (diameter) | 32 mm   |

#### Ambient conditions

|   |                  |
|---|------------------|
| Ambient temperature (operation)         | -40 °C ... 65 °C |
| Ambient temperature (storage/transport) | -40 °C ... 85 °C |
| Degree of protection                    | IP20             |
| Noise immunity                          | EN 61000-6-2     |

#### Input data

|                  |   |
|------------------|---|
| Number of inputs | 1 |
|------------------|---|

# Universal current transducer - MCR-SL-CUC-300-I - 2308043

## Technical data

### Input data

|                                       |                              |
|---------------------------------------|------------------------------|
| Input current range                   | 0 A ... 300 A                |
| Overload capacity                     | 3.33 x I <sub>IN</sub>       |
| Frequency measuring range             | 20 Hz ... 6000 Hz (0 Hz)     |
| Connection method                     | Cable design: 32 mm diameter |
| Rated frequency: Standard converter   | 20 Hz ... 6000 Hz            |
| Primary rated current I <sub>pn</sub> | 300 A                        |

### Output data

|                                 |                |
|---------------------------------|----------------|
| Output name                     | Current output |
| Current output signal           | 4 mA ... 20 mA |
| Max. output current             | < 25 mA        |
| Load/output load current output | < 300 Ω        |

### Switching output

|             |                     |
|-------------|---------------------|
| Output name | No switching output |
|-------------|---------------------|

### Power supply

|                          |                             |
|--------------------------|-----------------------------|
| Nominal supply voltage   | 24 V DC                     |
| Supply voltage range     | 20 V DC ... 30 V DC         |
| Max. current consumption | (30 + I <sub>OUT</sub> ) mA |
| Power consumption        | 1.65 W                      |

### Connection data

|                                  |  |
|----------------------------------|--|
| Connection method                | Push-in connection                           |
| Stripping length                 | 10 mm  |
| Conductor cross section solid    | 0.25 mm <sup>2</sup> ... 2.5 mm <sup>2</sup> |
| Conductor cross section flexible | 0.2 mm <sup>2</sup> ... 2.5 mm <sup>2</sup>  |
| Conductor cross section AWG      | 24 ... 12                                    |

### General

|                                  |   |
|----------------------------------|---|
| Accuracy class                   | 1   |
| Maximum transmission error       | <± 1 % (of final value)                               |
| Temperature coefficient, typical | 0.02 %/K (0 ... 60 °C)<br>0.04 %/K (-40 °C ... 65 °C) |
| Linearity error                  | <± 1 % (From the range end value)                     |
| Step response (10-90%)           | 150 ms  |
| Overvoltage category             | III   |
| Degree of pollution              | 2   |
| Rated insulation voltage         | 300 V AC  |
| Test voltage input/output        | 3.5 kV (50 Hz, 1 min.)                                |
| Test voltage input/power supply  | 3.5 kV (50 Hz, 1 min.)                                |
| Noise emission                   | EN 61000-6-4  |
| Noise immunity                   | EN 61000-6-2  |

# Universal current transducer - MCR-SL-CUC-300-I - 2308043

## Technical data

### General

|                  |                     |
|------------------|---------------------|
| Color            | green               |
| Housing material | Frianyl B63 V0 GV30 |

### Standards and Regulations

|                |                       |
|----------------|-----------------------|
| Noise emission | EN 61000-6-4          |
| Noise immunity | EN 61000-6-2          |
| Conformance    | CE-compliant          |
| UL, USA/Canada | UL/C-UL listed UL 508 |

### Conformance/approvals

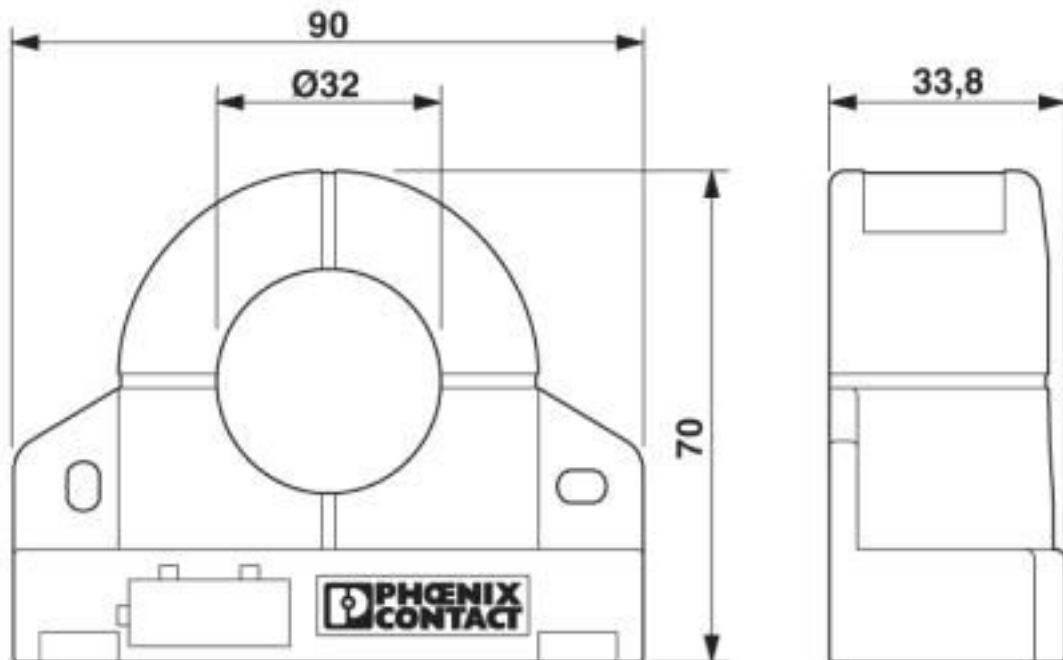
|                |                       |
|----------------|-----------------------|
| Designation    | CE                    |
| Identification | CE-compliant          |
| Designation    | UL, USA/Canada        |
| Identification | UL/C-UL Listed UL 508 |

### Environmental Product Compliance

|            |   |
|------------|---|
| China RoHS | Environmentally Friendly Use Period = 25;   |
|            | For details about hazardous substances go to tab "Downloads", Category "Manufacturer's declaration" |

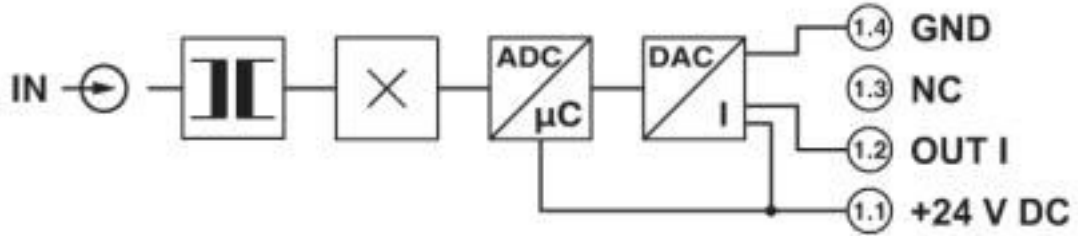
## Drawings

Dimensional drawing

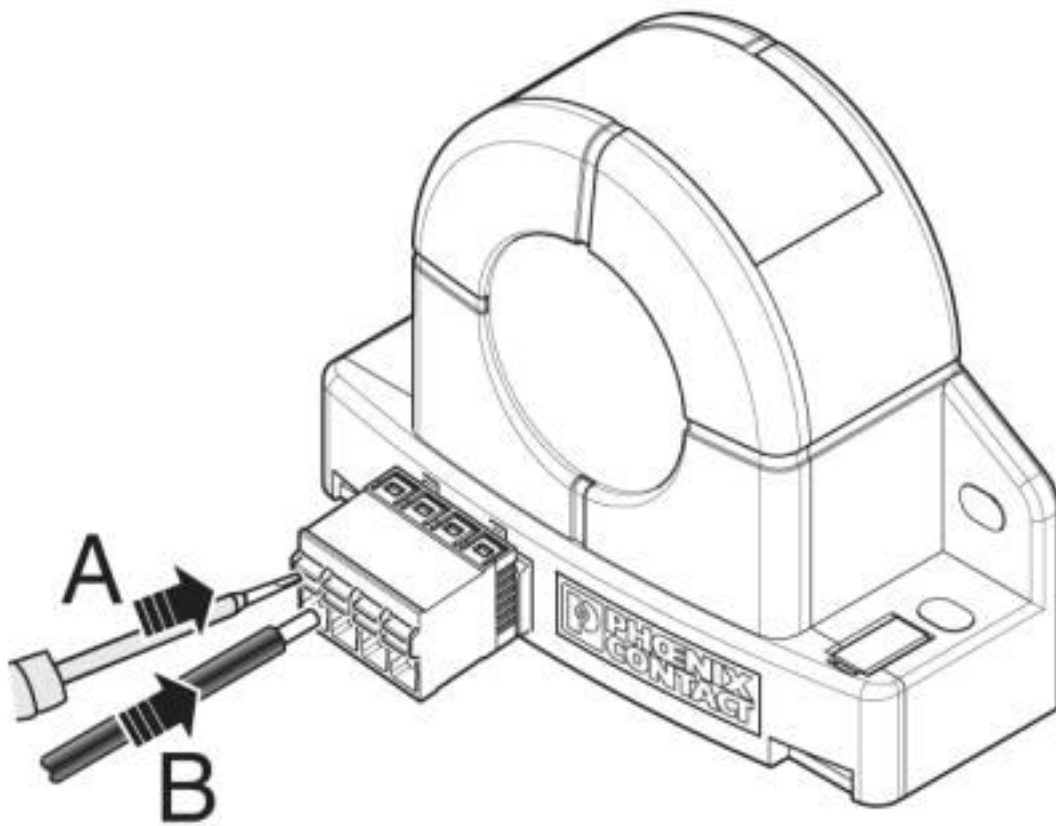


# Universal current transducer - MCR-SL-CUC-300-I - 2308043

Circuit diagram



Schematic diagram



## Classifications

eCl@ss

|               |          |
|---------------|----------|
| eCl@ss 10.0.1 | 27210902 |
| eCl@ss 4.0    | 27210900 |
| eCl@ss 4.1    | 27210900 |
| eCl@ss 5.0    | 27210900 |
| eCl@ss 5.1    | 27210900 |
| eCl@ss 6.0    | 27210900 |
| eCl@ss 7.0    | 27210902 |
| eCl@ss 8.0    | 27210902 |

# Universal current transducer - MCR-SL-CUC-300-I - 2308043

## Classifications

### eCl@ss

|            |          |
|------------|----------|
| eCl@ss 9.0 | 27210902 |
|------------|----------|

### ETIM

|          |          |
|----------|----------|
| ETIM 3.0 | EC002048 |
| ETIM 4.0 | EC002048 |
| ETIM 5.0 | EC002048 |
| ETIM 6.0 | EC002048 |
| ETIM 7.0 | EC002048 |

### UNSPSC

|               |          |
|---------------|----------|
| UNSPSC 6.01   | 30211504 |
| UNSPSC 7.0901 | 39121006 |
| UNSPSC 11     | 39121006 |
| UNSPSC 12.01  | 39121006 |
| UNSPSC 13.2   | 39121032 |
| UNSPSC 18.0   | 39121032 |
| UNSPSC 19.0   | 39121032 |
| UNSPSC 20.0   | 39121032 |
| UNSPSC 21.0   | 39121032 |

## Approvals

### Approvals


#### Approvals

UL Listed / cUL Listed / EAC / cULus Listed

#### Ex Approvals

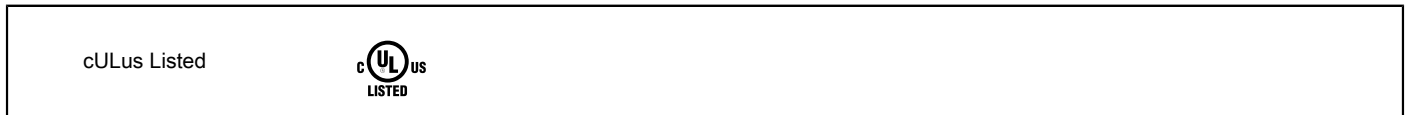
### Approval details

|           |   |   |               |
|-----------|---|---|---------------|
| UL Listed |  | <a href="http://database.ul.com/cgi-bin/XYV/template/LISEXT/1FRAME/index.htm">http://database.ul.com/cgi-bin/XYV/template/LISEXT/1FRAME/index.htm</a> | FILE E 123528 |
|-----------|---|---|---------------|

|            |   |   |               |
|------------|---|---|---------------|
| cUL Listed |  | <a href="http://database.ul.com/cgi-bin/XYV/template/LISEXT/1FRAME/index.htm">http://database.ul.com/cgi-bin/XYV/template/LISEXT/1FRAME/index.htm</a> | FILE E 123528 |
|------------|---|---|---------------|

## Universal current transducer - MCR-SL-CUC-300-I - 2308043

### Approvals



Phoenix Contact 2020 © - all rights reserved  
<http://www.phoenixcontact.com>

PHOENIX CONTACT GmbH & Co. KG  
Flachsmarktstr. 8  
32825 Blomberg  
Germany  
Tel. +49 5235 300  
Fax +49 5235 3 41200  
<http://www.phoenixcontact.com>

## X-ON Electronics

Largest Supplier of Electrical and Electronic Components

*Click to view similar products for [Current Transformers](#) category:*

*Click to view products by [Phoenix Contact](#) manufacturer:*

Other Similar products are found below :

[L595100](#) [ACST-260](#) [MP3500](#) [L595050](#) [BV EI 304 2089](#) [PACT RCP-4000A-UIRO-PT-D14](#) [PACT RCP-4000A-UIRO-PT-D19](#) [E54CT1L](#)  
[CTD-KIT](#) [44021](#) [44104](#) [44176](#) [44248](#) [45023](#) [45041](#) [45071](#) [PA3828NL](#) [CT16-1-50A/50MA](#) [SPCT 100/60 1200/5A VA 15 CL 0.5](#) [SPCT](#)  
[100/60 1000/5A VA 15 CL 0.5](#) [SPCT 100/60 600/5 A VA 7.5 CL 1](#) [SPCT 100/60 600/5 A VA 5 CL 0.5](#) [SPCT 100/60 800/5 A VA 10 CL 0.5](#)  
[SPCT 140/100 1200/5A VA 15 CL 0.5](#) [SPCT 140/100 1250/5A VA 15 CL 0.5](#) [SPCT 140/100 1500/5A VA 15 CL 0.5](#) [SPCT 140/100 1600/5A](#)  
[VA 15 CL 0.5](#) [SPCT 140/100 1000/5A VA 15 CL 0.5](#) [SPCT 140/100 2500/5A VA 15 CL 0.5](#) [SPCT 140/100 2000/5A VA 15 CL 0.5](#) [SPCT](#)  
[140/100 3000/5A VA 15 CL 0.5](#) [SPCT 140/100 800/5A VA 15 CL 0.5](#) [SPCT 62/30 50/5A VA1 CL 3](#) [SPCT 62/30 60/5A VA1 CL 3](#) [SPCT](#)  
[62/30 75/5A VA1 CL 3](#) [SPCT 62/30 75/5A VA3 CL 3](#) [SPCT 62/40 100/5 A VA 1 CL 1](#) [SPCT 62/40 125/5 A VA 1 CL 1](#) [SPCT 62/40 150/5 A](#)  
[VA 3 CL 1](#) [SPCT 62/40 160/5 A VA 1.5 CL 1](#) [SPCT 62/40 200/5 A VA 2,5 CL 0,5](#) [SPCT 62/40 200/5 A VA 3 CL 1](#) [SPCT 62/40 250/5 A VA](#)  
[3 CL 1](#) [SPCT 62/40 300/5 A VA 3 CL 0.5](#) [SPCT 62/40 400/5 A VA 3.75 CL 0.5](#) [2CSM029000R1211](#) [HPT205NBJ-1](#) [HCT204KFH](#) [HCT20K-](#)  
[QD](#) [HPT205A/F](#)