

Modem - PSI-GPRS/GSM-MODEM/RS232-QB - 2313106

Please be informed that the data shown in this PDF Document is generated from our Online Catalog. Please find the complete data in the user's documentation. Our General Terms of Use for Downloads are valid (<http://phoenixcontact.com/download>)



Industrial GPRS/GSM modem for mounting on EN DIN rails. GSM and GPRS. 850 + 900 + 1800 + 1900 MHz. Serial V.24 (RS-232) interface. TCP/IP stack. Alarm input and output. 24 V DC supply voltage.

Your advantages

- ✓ Fixed latency
- ✓ High electromagnetic compatibility
- ✓ Can be used worldwide
- ✓ Can be used regardless of controller manufacturer
- ✓ Firewall
- ✓ One switching output on backplane, can be activated via SMS with password protection
- ✓ Encryption of SIM card PINs
- ✓ Connection establishment with password protection
- ✓ GSM cellular network: 850, 900, 1800, and 1900 MHz
- ✓ IPT-compatible
- ✓ Integrated TCP/IP stack for integrating devices without a TCP/IP stack into a network
- ✓ Data rates of up to 53.6 kbps
- ✓ Connection establishment via data phone number (CSD)
- ✓ Client/server functionality
- ✓ Connection establishment via IP addresses



Key Commercial Data

Packing unit	1 pc
GTIN	
GTIN	4046356166034

Technical data

Note

Utilization restriction	EMC: class A product, see manufacturer's declaration in the download area
-------------------------	---

Modem - PSI-GPRS/GSM-MODEM/RS232-QB - 2313106

Technical data

Dimensions

Width	22.5 mm
Height	99 mm
Depth	118.6 mm

Ambient conditions

Ambient temperature (operation)	-25 °C ... 60 °C
Altitude	≤ 5000 m (For restrictions, see the manufacturer's declaration for altitude operation)
	≤ 2000 m (With UL approval)
Degree of protection	IP20
Noise immunity	EN 61000-6-2:2005

General

Electrical isolation	VCC // RS-232 // GSM
Test voltage data interfaces	1500 V
Test voltage data interface/power supply	1.5 kV (50 Hz, 1 min.)
Electromagnetic compatibility	Conformance with RED Directive 2014/53/EU
Noise emission	EN 55032
Net weight	182.6 g
Housing material	PA V0
Color	green
Degree of pollution	2

Power supply

Nominal supply voltage	24 V DC ±5 % (as an alternative or redundant, via backplane bus contact and system current supply)
Supply voltage range	10 V DC ... 30 V DC (via pluggable COMBICON screw terminal block)
Typical current consumption	< 350 mA (24 V DC)
	< 80 mA (stand by)

Interfaces

Interface 1	V.24 (RS-232) interface in acc. with ITU-T V.28, EIA/TIA-232, DIN 66259-1
Connection method	D-SUB 9 plug
File format/coding	Serial asynchronous UART/NRZ, 7/8 data, 1/2 stop, 1 parity, 10/11-bit character length
Transmission length	15 m
Data flow control/protocols	Software handshake, Xon/Xoff or hardware handshake RTS/CTS

Wireless interface

Interface description	GSM / GPRS
Frequency range	850 MHz (2 W (EGSM))
	900 MHz (2 W (EGSM))
	1800 MHz (1 W (EGSM))
	1900 MHz (1 W (EGSM))

Modem - PSI-GPRS/GSM-MODEM/RS232-QB - 2313106

Technical data

Wireless interface

Data rate	≤ 85.6 kbps
Antenna	50 Ω impedance SMA antenna socket
SIM interface 1	1.8 volt, 3 volt
GPRS	Class 10, Class B
	CS1 ... CS4
GSM	CSD 9.6/14.4 kbps
Network function	4 time slots for receiving data, 2 time slot for transmitting data. The PIN is saved in the modem. After a voltage interruption, there is automatic redialing into the network Integrated TCP/IP Stack, independent connection establishment.
Network check	LED to show data signal quality

Digital outputs

Output name	Digital output
Number of outputs	1
Voltage output signal	10 V DC ... 30 V DC
Current output signal	≤ 80 mA (24 V)

Digital inputs

Description of the input	Digital input
Number of inputs	2
Voltage input signal	9 V DC ... 60 V DC
Current input signal	5 mA

Conformance/approvals

Designation	CE
Identification	CE-compliant
Designation	EAC
Identification	EAC
Designation	UL, USA/Canada
Identification	508 Listed
	Class I, Zone 2, AEx nA IIC T4
	Class I, Zone 2, Ex nA IIC T4 Gc X
Designation	Corrosive gas test
Identification	ISA-S71.04-1985 G3 Harsh Group A

Standards and Regulations

Electromagnetic compatibility	Conformance with RED Directive 2014/53/EU
Type of test	Free fall in acc. with IEC 60068-2-32
Test result	1 m
Type of test	Vibration resistance in acc. with EN 60068-2-6/IEC 60068-2-6
Test result	5g in each space direction
Type of test	Shock in acc. with EN 60068-2-27/IEC 60068-2-27
Test result	Operation: 15g, 11 ms period, half-sine shock pulse

Modem - PSI-GPRS/GSM-MODEM/RS232-QB - 2313106

Technical data

Standards and Regulations

Type of test	Shock in acc. with EN 60068-2-27/IEC 60068-2-27
Test result	Storage: 30g, 11 ms period, half-sine shock pulse
Noise emission	EN 55032
Noise immunity	EN 61000-6-2:2005
Standards/regulations	EN 61000-4-2
Contact discharge	± 6 kV (Test Level 3)
Indirect discharge	± 6 kV
Standards/regulations	EN 61000-4-3
Frequency range	Test Level 3
Standards/regulations	EN 61000-4-4
Comments	Criterion B
Standards/regulations	EN 61000-4-5
Signal	± 1 kV
Standards/regulations	EN 55032
	EN 61000-4-6

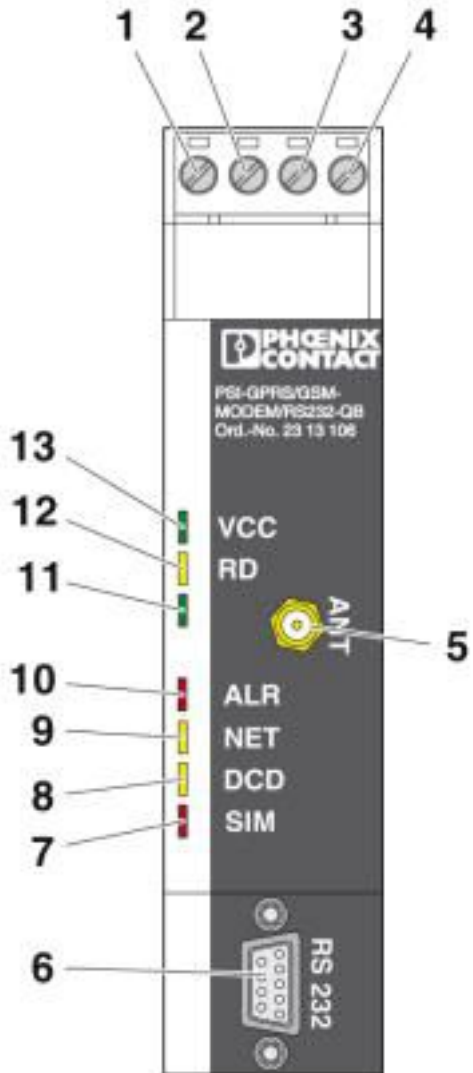
Environmental Product Compliance

REACH SVHC	Lead 7439-92-1
China RoHS	Environmentally Friendly Use Period = 50 years
	For details about hazardous substances go to tab "Downloads", Category "Manufacturer's declaration"

Drawings

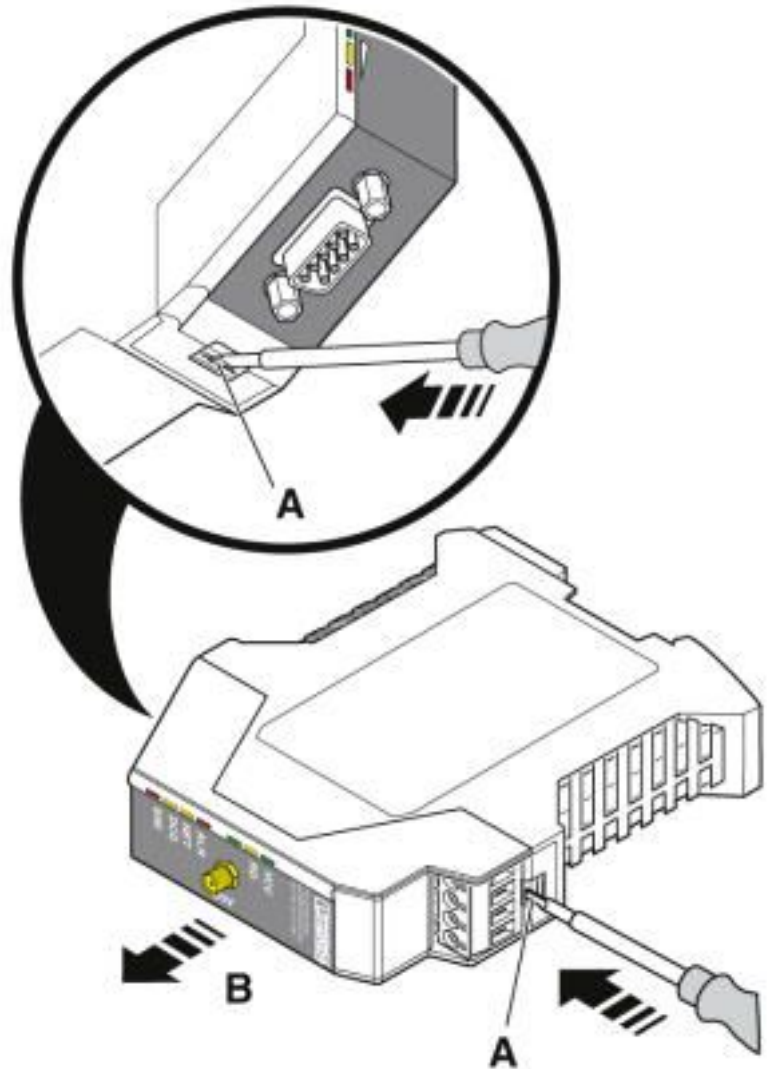
Modem - PSI-GPRS/GSM-MODEM/RS232-QB - 2313106

Schematic diagram



Front view

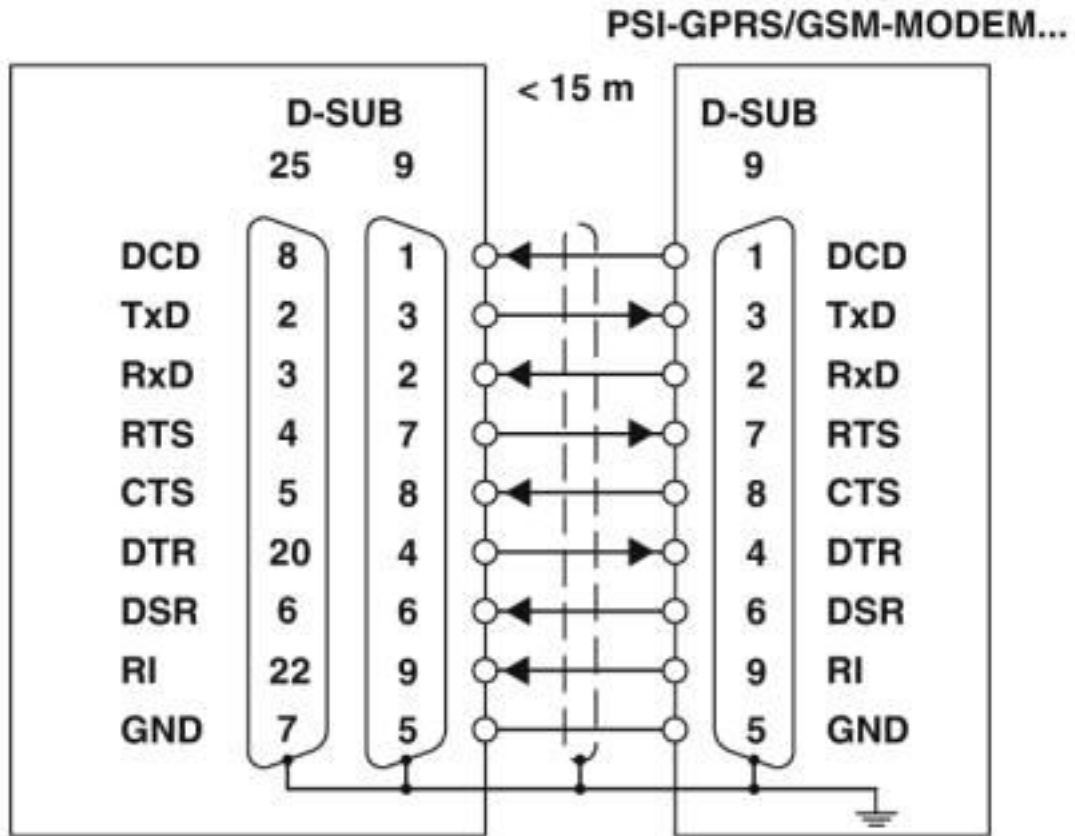
Schematic diagram



Opening the housing

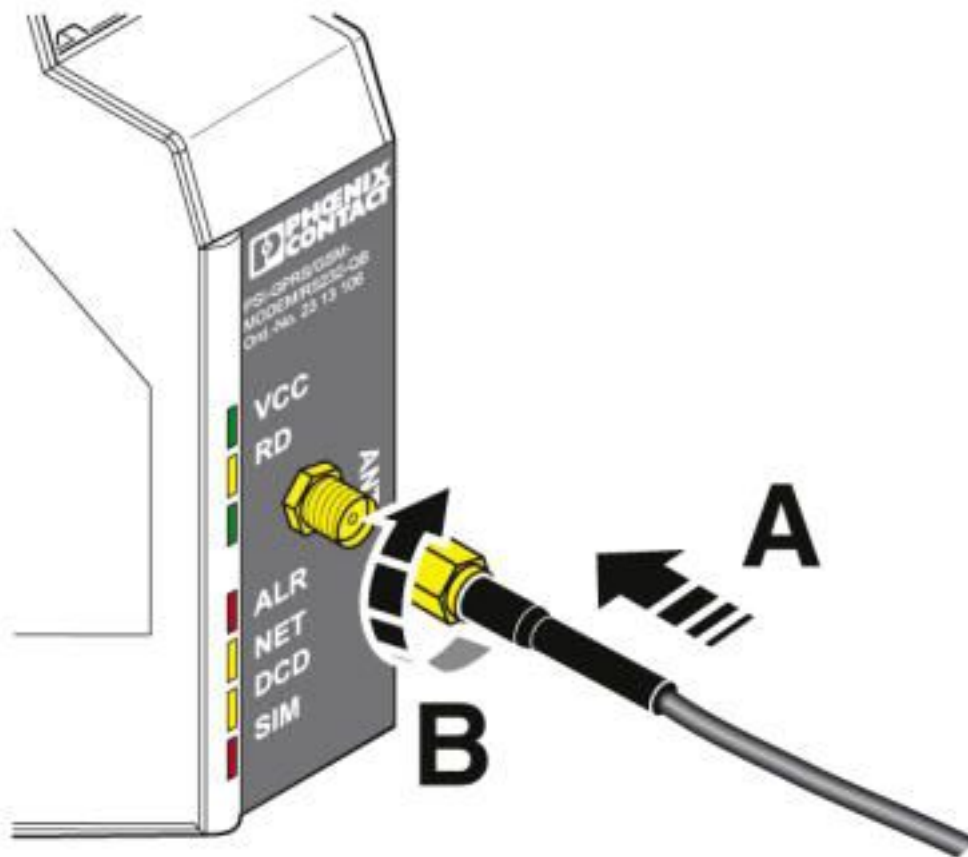
Modem - PSI-GPRS/GSM-MODEM/RS232-QB - 2313106

Connection diagram



Modem - PSI-GPRS/GSM-MODEM/RS232-QB - 2313106

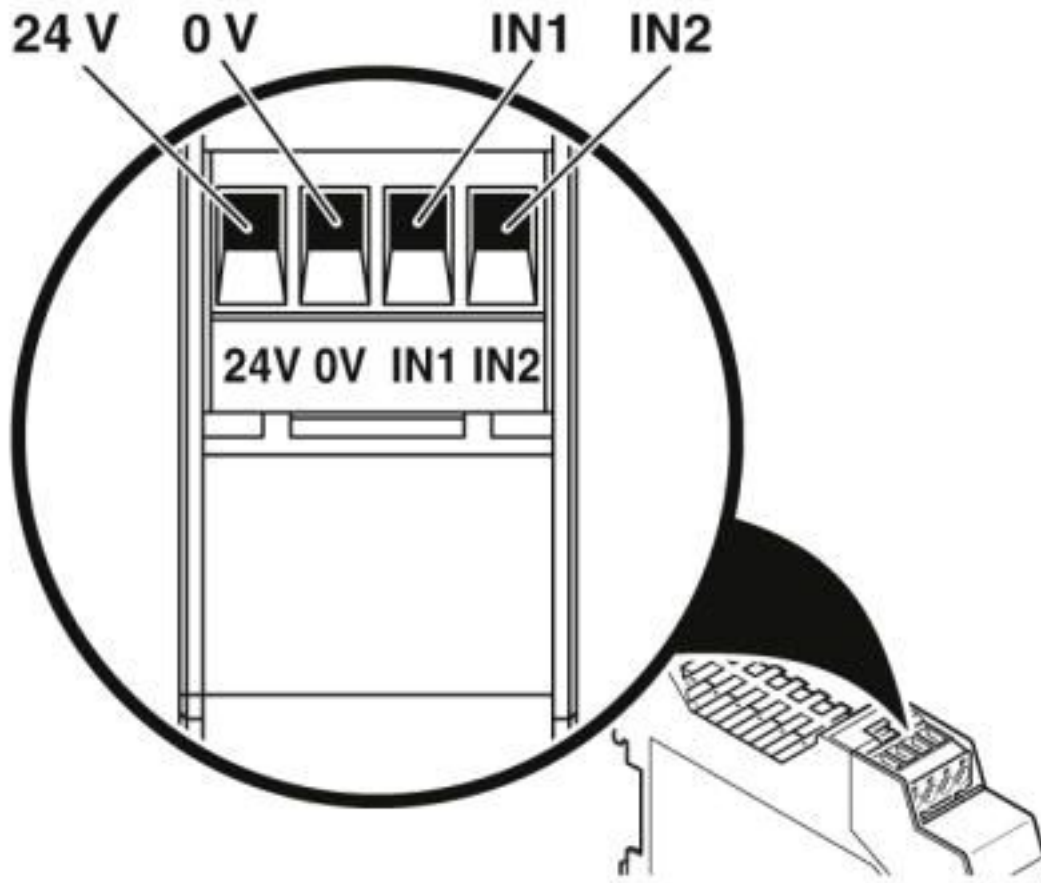
Schematic diagram



Connect the antenna

Modem - PSI-GPRS/GSM-MODEM/RS232-QB - 2313106

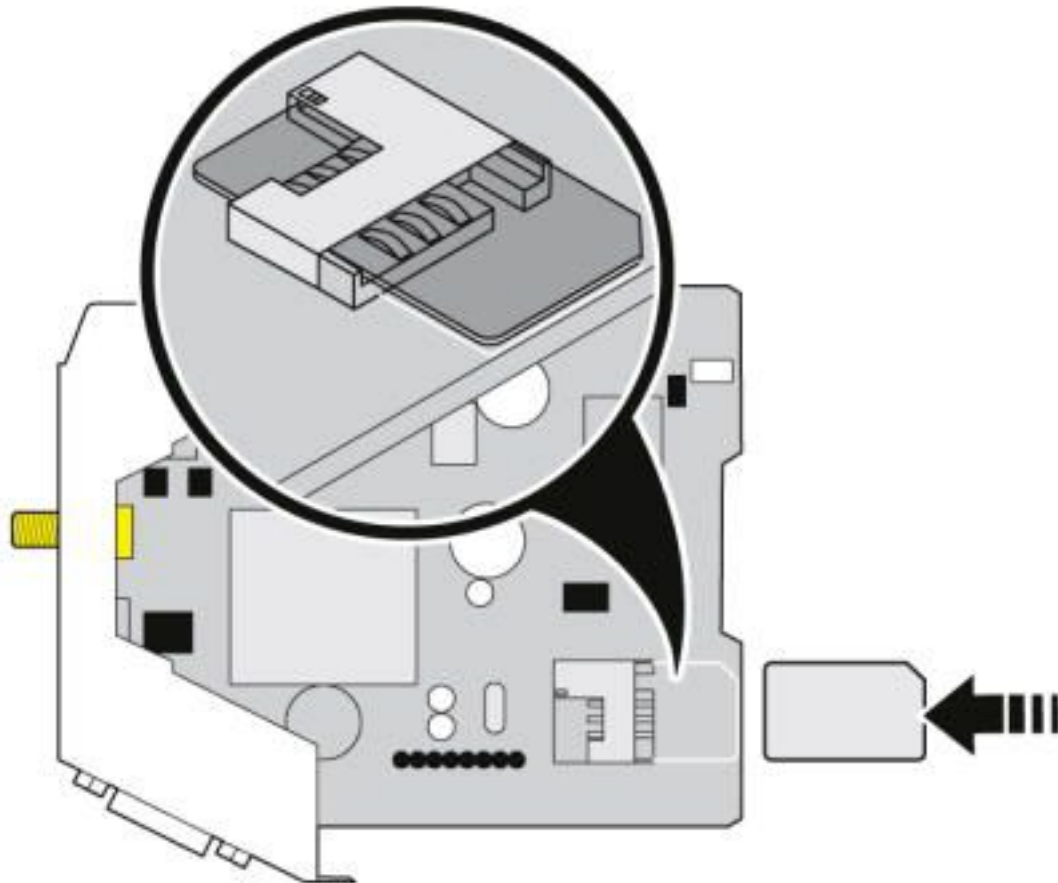
Schematic diagram



Device connections

Modem - PSI-GPRS/GSM-MODEM/RS232-QB - 2313106

Schematic diagram



Insert the SIM card

Classifications

eCl@ss

eCl@ss 10.0.1	19060590
eCl@ss 4.0	27230200
eCl@ss 4.1	27230200
eCl@ss 5.0	19030100
eCl@ss 5.1	19030100
eCl@ss 6.0	19060500
eCl@ss 7.0	19060590
eCl@ss 8.0	19060590
eCl@ss 9.0	19060590

ETIM

ETIM 2.0	EC000310
ETIM 3.0	EC000310

Modem - PSI-GPRS/GSM-MODEM/RS232-QB - 2313106

Classifications

ETIM

ETIM 4.0	EC000310
ETIM 5.0	EC000740
ETIM 6.0	EC000740
ETIM 7.0	EC000740

UNSPSC

UNSPSC 6.01	30211506
UNSPSC 7.0901	39121008
UNSPSC 11	39121008
UNSPSC 12.01	39121008
UNSPSC 13.2	43222628
UNSPSC 18.0	43222628
UNSPSC 19.0	43222628
UNSPSC 20.0	43222628
UNSPSC 21.0	43222628

Approvals

Approvals

Approvals

UL Listed / cUL Listed / EAC / EAC-RoHS / EAC / cULus Listed

Ex Approvals

UL Listed / cUL Listed / cULus Listed

Approval details

UL Listed		http://database.ul.com/cgi-bin/XYV/template/LISEXT/1FRAME/index.htm	FILE E 238705
-----------	---	---	---------------

cUL Listed		http://database.ul.com/cgi-bin/XYV/template/LISEXT/1FRAME/index.htm	FILE E 238705
------------	---	---	---------------

EAC		RU *- DE.A*30.B.01735
-----	---	--------------------------

Modem - PSI-GPRS/GSM-MODEM/RS232-QB - 2313106

Approvals

EAC-RoHS		RU D- DE.HB35.B.00388
----------	--	--------------------------

EAC		EAC-Zulassung
-----	--	---------------

cULus Listed		
--------------	--	--

Accessories

Accessories

Adapter

Adapter - PSM-AD-D9-NULLMODEM - 2708753



V.24 (RS-232) zero modem connector

Adapter cable

Data cable - PSM-KA9SUB9/BB/2METER - 2799474



RS-232 cable, 9-pos. D-SUB socket on 9-pos. D-SUB socket, 9-wire, 1:1

Antenna

Antenna - TC ANT MOBILE CABINET 10M - 1046361



Cellular antenna for mounting on the control cabinet, 10 m antenna cable with SMA circular connector

Arrester test system

Modem - PSI-GPRS/GSM-MODEM/RS232-QB - 2313106

Accessories

Cable - CM-KBL-RS232/USB - 2881078



Connecting cable D-9-SUB to USB, with adapter D-9-SUB to D-25-SUB.

DIN rail connector

DIN rail bus connectors - ME 22,5 TBUS 1,5/ 5-ST-3,81 GN - 2707437



DIN rail connector, nominal current: 8 A, rated voltage (III/2): 125 V, number of positions: 5, pitch: 3.81 mm, color: green, mounting: DIN rail, Item with gold-plated contacts, bus connectors for connecting with electronics housings, 5 parallel contacts

Power supply

Power supply unit - MINI-SYS-PS-100-240AC/24DC/1.5 - 2866983



Primary-switched MINI POWER supply for DIN rail mounting, input: 1-phase, output: 24 V DC/1.5 A

Surge protection for transceiver systems

Surge protection device - CSMA-LAMBDA/4-2.0-BS-SET - 2800491



Attachment plug with Lambda/4 technology as surge protection for coaxial signal interfaces. Connection: Male/female SMA connectors.

X-ON Electronics

Largest Supplier of Electrical and Electronic Components

Click to view similar products for [Modems](#) category:

Click to view products by [Phoenix Contact](#) manufacturer:

Other Similar products are found below :

[MT5600SMI-P92](#) [MTQ-L4G1-B02](#) [PL360G55CB-EK](#) [ZETA-N-LTE\(EU\)](#) [C-PCM-24S24G-4AV-1](#) [1002-CMF4-OUS](#) [ASB-1003-CM11-GLB](#) [IX20-0AN4](#) [IX20-W0N4](#) [IX20-WAN4](#) [E214G#01](#) [M1003GXT00B](#) [MTSMC-L4E1.R1-SP](#) [MTSMC-L4E1-U.R1-SP](#) [MTSMC-L4N1.R1A-SP](#) [MTSMC-L4N1-U.R1A-SP](#) [DN-24GU](#) [ZN-241G](#) [NOVA-U201](#) [1003824](#) [2313067](#) [2313656](#) [2313669](#) [2700640](#) [MTSMC-C1-IP-N2](#) [MTSMC-EV3-MI-IP-N3-SP](#) [MTPCIE-H5-EU-SP](#) [MTSMC-C2-IP-N3](#) [MTSMC-EV3-U-N2-SP](#) [MTSMC-C1-V-N2](#) [MTSMC-G2-GP-ED](#) [ZETA-N2-GPRS](#) [ASB-1002-CM16-GLB](#) [ASB-1002-CME4-GLB](#) [XM-M92-4P-AA](#) [XM-M92-UP-AA](#) [XM-M92-UP-UA](#) [XM-P91-2P-AA](#) [XM-P91-2P-U](#) [XM-P91-UP-AA](#) [XTP9B-PKC-UA](#) [M100G003S](#) [M111F00FS](#) [MT5656ZDX](#) [MT5692SMI-P-34.R1](#) [MTC-G3-B06](#) [MTCM-LNA3-B03-KIT](#) [MTCM-LAT3-B03-KIT](#) [MTD-EV3-N3](#)