

## Front adapters - FLKM S135/S7/FLK50/PLC - 2314736

Please be informed that the data shown in this PDF Document is generated from our Online Catalog. Please find the complete data in the user's documentation. Our General Terms of Use for Downloads are valid (<http://phoenixcontact.com/download>)



Converter for SIMATIC® S5-135 on 50- pos. FLK strip over which an S7 control can be coupled. Conversion: 6ES5 420-4UA14 / 6ES5 430-4UA14 on 6ES7 321-1BL00-0AA0 or 6ES5 441-4UA14 / 6ES5 451-4UA14 on 6ES7 322-1BL00-0AA0

### Key Commercial Data

Packing unit	1 pc
GTIN	
GTIN	4046356155243

### Technical data

#### Note

Type of note	Order information:
Note	<p>The components for setting up an adapter carrier as in the application example (data sheet in the download area), which can be used to secure the migration adapter, can be obtained from Heitec AG based in Eckental-Eschenau, Germany. The following order numbers are required for carrier setup:</p> <ul style="list-style-type: none"> <li>3685.896 (2 pcs.)</li> <li>3684.629 (1 pc.)</li> <li>3684.562 (2 pcs.)</li> <li>3687.015 (1 unit pack)</li> <li>3684.610 (2 pcs.)</li> <li>3684.572 (2 pcs.)</li> <li>3684.881 (10 pcs.)</li> <li>3685.837 (10 pcs.)</li> <li>3685.832 (10 pcs.)</li> </ul>

#### Dimensions

Width	26 mm
Height	85 mm
Depth	306 mm

#### Ambient conditions

Ambient temperature (operation)	-20 °C ... 50 °C
---------------------------------	------------------

## Front adapters - FLKM S135/S7/FLK50/PLC - 2314736

### Technical data

#### Ambient conditions

Ambient temperature (storage/transport)	-20 °C ... 70 °C
Degree of protection	IP00

#### General

Max. permissible operating voltage	60 V DC
Max. permissible current	1 A (per path)
Mounting position	any
Nominal operating mode	100% operating factor

#### Connection data

Connection name	Field level
Connection method	IDC/FLK pin strip
Number of connections	1
Number of positions	50
Pitch	2.54 mm

#### Supported controller

Controller	SIEMENS S5-135 U
- suitable I/O card	6ES5 420-4UA14
	6ES5 430-4UA14
	6ES5 441-4UA14
	6ES5 451-4UA14

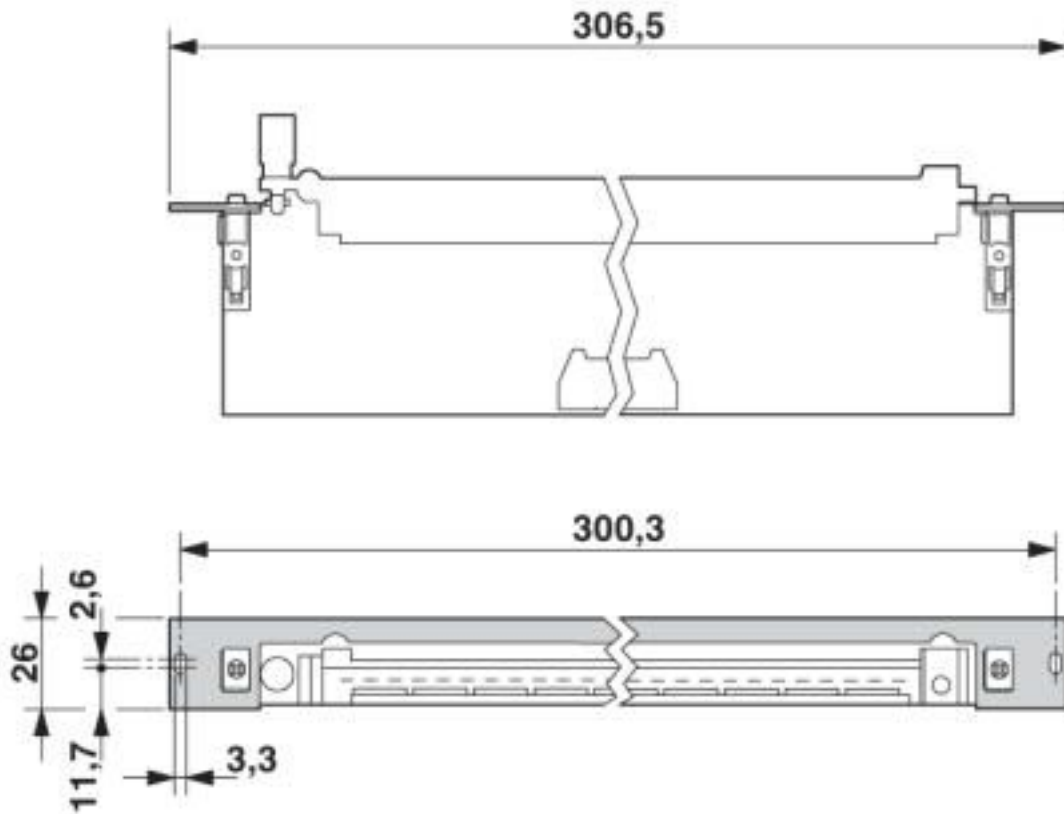
#### Environmental Product Compliance

China RoHS	Environmentally Friendly Use Period = 50 years
	For details about hazardous substances go to tab "Downloads", Category "Manufacturer's declaration"

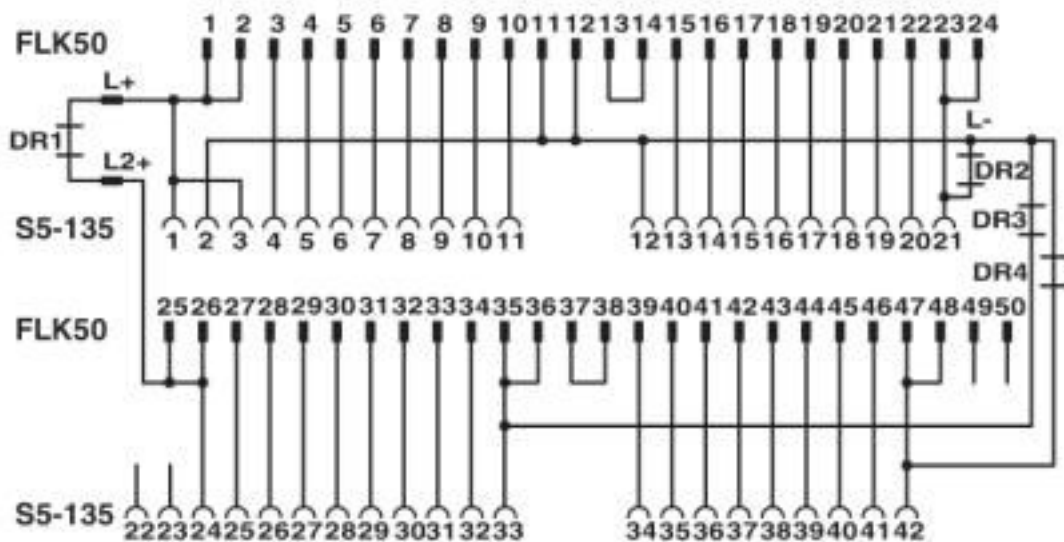
### Drawings

# Front adapters - FLKM S135/S7/FLK50/PLC - 2314736

Dimensional drawing



Circuit diagram



FLKM S135/S7/FLK50/PLC connection scheme

# Front adapters - FLKM S135/S7/FLK50/PLC - 2314736

## Classifications

### eCl@ss

eCl@ss 10.0.1	27242292
eCl@ss 4.0	27250300
eCl@ss 4.1	27250300
eCl@ss 5.0	27250300
eCl@ss 5.1	27250300
eCl@ss 6.0	27249200
eCl@ss 7.0	27249290
eCl@ss 8.0	27249290
eCl@ss 9.0	27242292

### ETIM

ETIM 4.0	EC002584
ETIM 5.0	EC002584
ETIM 6.0	EC002584
ETIM 7.0	EC002584

### UNSPSC

UNSPSC 6.01	30211824
UNSPSC 7.0901	39121421
UNSPSC 11	39121421
UNSPSC 12.01	39121421
UNSPSC 13.2	32151601
UNSPSC 18.0	32151601
UNSPSC 19.0	32151601
UNSPSC 20.0	32151601
UNSPSC 21.0	32151601

## Approvals

### Approvals

---

Approvals

EAC

---

Ex Approvals

---

### Approval details

## Front adapters - FLKM S135/S7/FLK50/PLC - 2314736

### Approvals

EAC



RU C-  
DE.A\*30.B.01742

Phoenix Contact 2020 © - all rights reserved  
<http://www.phoenixcontact.com>

PHOENIX CONTACT GmbH & Co. KG  
Flachsmarktstr. 8  
32825 Blomberg  
Germany  
Tel. +49 5235 300  
Fax +49 5235 3 41200  
<http://www.phoenixcontact.com>

## X-ON Electronics

Largest Supplier of Electrical and Electronic Components

*Click to view similar products for [Terminal Block Tools & Accessories](#) category:*

*Click to view products by [Phoenix Contact](#) manufacturer:*

Other Similar products are found below :

[00171430102](#) [00171420102](#) [600HL](#) [600RJ-07](#) [600RJ-11](#) [600RJ-14](#) [600RJS-10](#) [600RJS-12](#) [600RJS-15](#) [600RJS-21](#) [601RJ-09](#) [602SP](#) [602Z](#)  
[604J](#) [CSTSPC1-2](#) [7B941-7](#) [88943-2100](#) [QC102](#) [1437403-6](#) [1437403-9](#) [1437403-8](#) [1453128-1](#) [147832-1](#) [EC0037-000](#) [MT2/H--](#) [MT6/H-N](#)  
[MT6/V-GRND](#) [MT8/H-51-60](#) [BC2-12](#) [BCC-1-8/10](#) [EP2.5/4UN/BG](#) [1707755](#) [1735590](#) [1755480](#) [1789281](#) [1840227](#) [1840230](#) [2-1437402-1](#)  
[JA2-03](#) [JB1-03/J](#) [JB2-04](#) [JB2-05](#) [JB2-07](#) [JB2-09/J](#) [PARALLELJUMPERLINK](#) [JS601](#) [2204082](#) [2302463](#) [2305949](#) [8PCV-BUSHING](#)