

Power module - FB-PS-PLUG-24DC/28DC/0.5/EX - 2316132


Please be informed that the data shown in this PDF Document is generated from our Online Catalog. Please find the complete data in the user's documentation. Our General Terms of Use for Downloads are valid (<http://phoenixcontact.com/download>)



Power supply plug for fieldbus system in hazardous locations. Provides 500 mA @ 28 V DC to couplers along the trunk.



Key Commercial Data

Packing unit	1 pc
GTIN	 4 046356 619981
GTIN	4046356619981

Technical data

Note

Utilization restriction	EMC: class A product, see manufacturer's declaration in the download area
-------------------------	---

Dimensions

Width	17.5 mm
Height	117.6 mm
Depth	115 mm

Ambient conditions

Degree of protection	IP20
Ambient temperature (operation)	-40 °C ... 70 °C
Ambient temperature (storage/transport)	-40 °C ... 85 °C
Max. permissible relative humidity (operation)	95 % (non-condensing)

Input data

Nominal input voltage	24 V DC
Nominal input voltage range	18.5 V DC ... 30.5 V DC

Output data

Output voltage range	28 V DC ... 30 V DC (on the trunk)
----------------------	------------------------------------

Power module - FB-PS-PLUG-24DC/28DC/0.5/EX - 2316132

Technical data

Output data

Nominal output current (I_N)	500 mA
Connection in parallel	Yes, for redundancy
Connection in series	No
Output power	13.5 W

General

Net weight	181 g
Degree of protection	IP20
Assembly instructions	Plug-in connections may only be operated only when there is no load/voltage.

Connection data, output

Connection method	Plug connection
-------------------	-----------------

Signaling

Output name	Power OK
-------------	----------

Safety data

Input voltage U_i	30.5 V DC (input power)
Input current I_i	850 mA (input power)
Max. output voltage U_o	30 V DC (trunk and host)
ATEX	Sira 11ATEX4216X; II 3 G Ex nA nC IIC T4 Gc
IECEX	IECEX SIR 11.0097X; Ex nA nC IIC T4 Gc
CSA, USA/Canada	Class I, Div. 2, Groups A, B, C, D; Ex nA nC IIC T4 Class I, Zone 2, AEx nA nC IIC T4

Standards and Regulations

Standards/specifications	Ring wave noise immunity in acc. with IEC 61000-4-12
	Dry heat in acc. with IEC 61131-2
	Damp heat in acc. with IEC 61131-2
	Shock and vibration in acc. with EN 61131-2 and EN 50178
	IEC 61158-2
Type of test	Corrosive resistance in acc. to ANSI-ISA 71.04-1985 - Severity level G3
Standards/regulations	NE21
	EN 61326
Fieldbus Foundation	FF-831
ATEX	Sira 11ATEX4216X; II 3 G Ex nA nC IIC T4 Gc
IECEX	IECEX SIR 11.0097X; Ex nA nC IIC T4 Gc
CSA, USA/Canada	Class I, Div. 2, Groups A, B, C, D; Ex nA nC IIC T4 Class I, Zone 2, AEx nA nC IIC T4

Environmental Product Compliance

REACH SVHC	Lead 7439-92-1
China RoHS	Environmentally Friendly Use Period = 50 years

Power module - FB-PS-PLUG-24DC/28DC/0.5/EX - 2316132

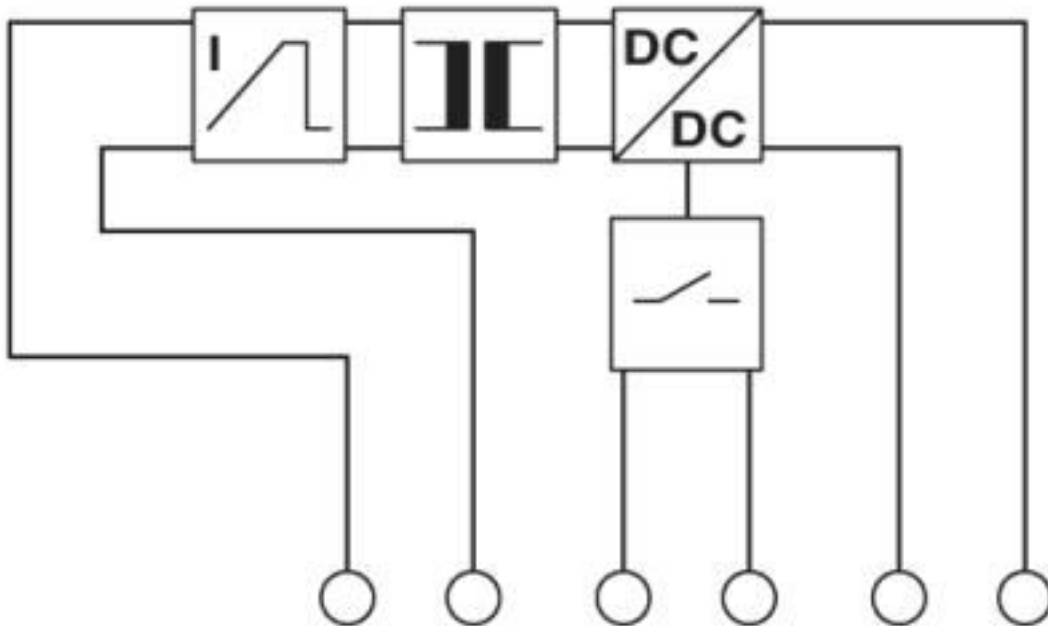
Technical data

Environmental Product Compliance

	For details about hazardous substances go to tab "Downloads", Category "Manufacturer's declaration"
--	---

Drawings

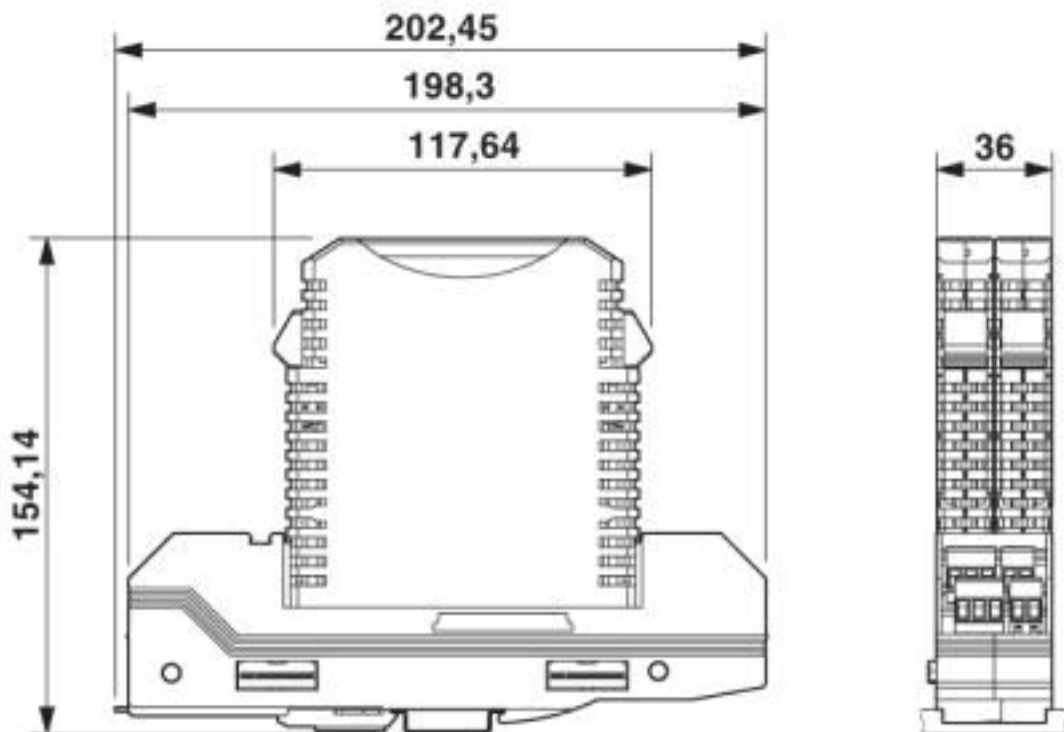
Block diagram



Connection diagram: FB-PS-PLUG-24DC/28DC/0.5/EX

Power module - FB-PS-PLUG-24DC/28DC/0.5/EX - 2316132

Dimensional drawing



Power supply base and plug

Classifications

eCl@ss

eCl@ss 10.0.1	27242611
eCl@ss 4.0	27250300
eCl@ss 4.1	27250300
eCl@ss 5.0	27242200
eCl@ss 5.1	27242200
eCl@ss 6.0	27242600
eCl@ss 7.0	27242611
eCl@ss 8.0	27242611
eCl@ss 9.0	27242611

ETIM

ETIM 3.0	EC000310
ETIM 4.0	EC000599
ETIM 5.0	EC002583
ETIM 6.0	EC002583
ETIM 7.0	EC002583

Power module - FB-PS-PLUG-24DC/28DC/0.5/EX - 2316132

Classifications

UNSPSC

UNSPSC 6.01	30211506
UNSPSC 7.0901	39121008
UNSPSC 11	39121008
UNSPSC 12.01	39121008
UNSPSC 13.2	43201553
UNSPSC 18.0	32151602
UNSPSC 19.0	32151602
UNSPSC 20.0	32151602
UNSPSC 21.0	32151602

Approvals

Approvals

Approvals

EAC

Ex Approvals

IECEX / ATEX / CSA / CSAus / cCSAus

Approval details

EAC		RU C- DE.A*30.B.01082
-----	--	--------------------------

Accessories

Additional products

Power distributor - FB-PS-BASE/EX - 2316145



Base for fieldbus power supply plugs. Provides redundancy when 2 plugs are installed. Redundancy is maintained across multiple bases via internal power buses. Additional internal bus provides remote indication.

Power module - FB-PS-PLUG-24DC/28DC/0.5/EX - 2316132

Accessories

Power supply unit - FB-PS-MB-25DSUB/EX - 2316146



Four-channel, redundant fieldbus power supply base. Host connection is a D-SUB 25 socket connector.

Power supply unit - FB-PS-MB-Y/EX - 2316148



Four-channel redundant fieldbus power supply base. Host connections are for two Yokogawa AKB336 20-pin cables.

Power supply unit - FB-PS-MB-I/EX - 2316149



Four-channel, redundant fieldbus power supply base. Host connection is for an Invensys® D-SUB 25 cable.

Phoenix Contact 2020 © - all rights reserved
<http://www.phoenixcontact.com>

PHOENIX CONTACT GmbH & Co. KG
Flachsmarktstr. 8
32825 Blomberg
Germany
Tel. +49 5235 300
Fax +49 5235 3 41200
<http://www.phoenixcontact.com>

X-ON Electronics

Largest Supplier of Electrical and Electronic Components

Click to view similar products for [DIN Rail Power Supplies](#) category:

Click to view products by [Phoenix Contact](#) manufacturer:

Other Similar products are found below :

[PS-S6024](#) [DVP01PU-S](#) [DVP06AD-S](#) [DVP06XA-S](#) [DVDPNET-SL](#) [DVPDT01-S](#) [DVPPS01](#) [PS-6012](#) [PS9Z-5R1G](#) [PS-C24024](#)
[DVP08ST11N](#) [DVPACAB530](#) [DVPCOPM-SL](#) [DVPEN01-SL](#) [DVPPF01-S](#) [ADNB008-48-1PM-C](#) [ADNB017-24-1PM-C](#) [ADNB040-24-1PM-C](#) [ADNB034-12-1PM-C](#) [SS14011524](#) [S8TS-06024-E1](#) [PS-UPS40](#) [PSC-6024](#) [PSD-A60W12](#) [96PS-A120WDIN](#) [PSD-A60W48](#) [PSD-A40W12](#) [PSD-A40W24](#) [SMP21-L20-DC24V-5A](#) [PSD-A40W48](#) [S8T-DCBU-02](#) [PS-S4024](#) [NTPS-24-1.3](#) [PST-96024](#) [S82YVSC4P](#) [PS-S4005](#) [PS-10024](#) [PS-S10024](#) [PS-C12024](#) [PSP-480S24](#) [PS-C48024](#) [PSC-2024](#) [PSC-4012](#) [PSC-4048](#) [PSC-9615](#) [PSC-15124](#) [PSC-15148](#)
[PSC-24148](#) [PSC-48148](#) [TRIO-PS-2G/1AC/12DC/5/C2LP](#)