

Junction box - FB-8-AL - 2316200

Please be informed that the data shown in this PDF Document is generated from our Online Catalog. Please find the complete data in the user's documentation. Our General Terms of Use for Downloads are valid (<http://phoenixcontact.com/download>)




Aluminum field junction box with 8 ports for use in hazardous locations. Includes FB-ET trunk module, Plugtrab base with option for surge protection plug, and DIN rail space for up to 6 device couplers.

Your advantages

- ✓ Developed specifically for field device coupler systems
- ✓ Cable glands, plugs, and breather must be ordered separately
- ✓ Each housing has M20 ports and can be configured as desired
- ✓ Entries for the trunk line (input/output) and breather connections
- ✓ Includes an FB-ET trunk line module and enables the installation of additional couplers and PT plugs
- ✓ Busbar and shield clamps



Key Commercial Data

Packing unit	1 pc
GTIN	 4 046356 620406
GTIN	4046356620406

Technical data

Dimensions

Width	202 mm
Height	232 mm
Depth	111 mm

Ambient conditions

Ambient temperature (operation)	-40 °C ... 85 °C
Degree of protection	IP66
	NEMA 4X

General

Thread type, cable screw connection	M20
Mounting position	vertical
Net weight	2980 g
Housing material	Aluminum, die-cast, corrosion resistant, powder-coated

Junction box - FB-8-AL - 2316200

Technical data

General

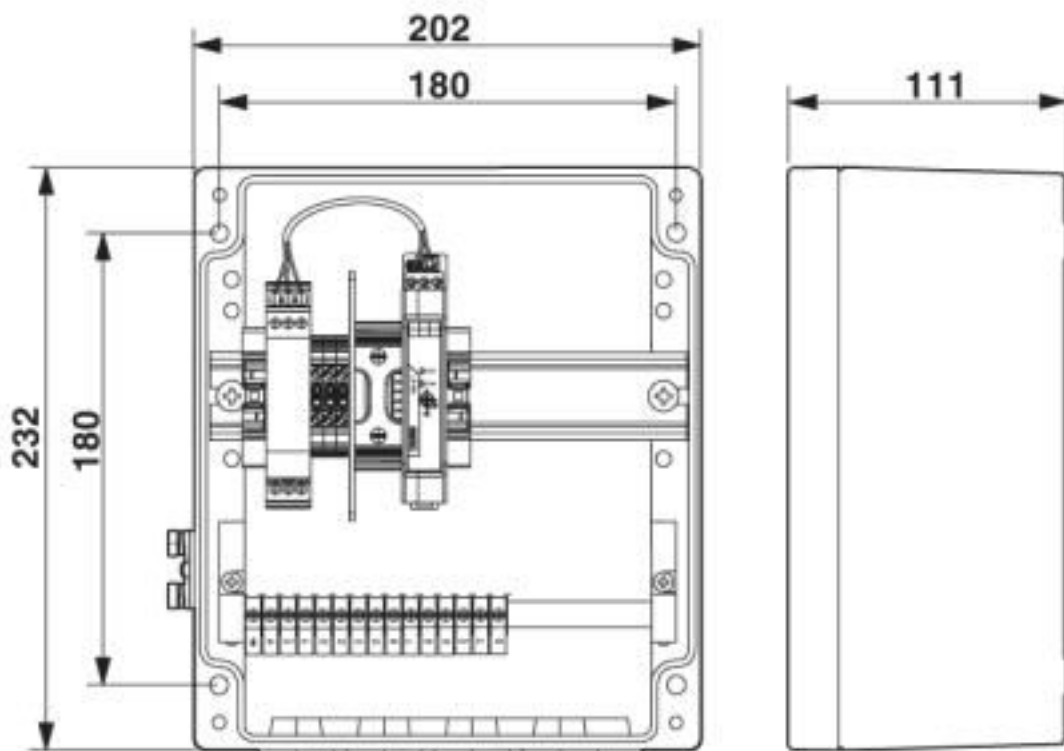
Color	gray aluminum
ATEX	# II 2 G/2 D

Standards and Regulations

ATEX	# II 2 G/2 D
------	--------------

Drawings

Dimensional drawing



Classifications

eCl@ss

eCl@ss 4.0	27250203
eCl@ss 4.1	27250203
eCl@ss 5.0	27250203
eCl@ss 5.1	27180100
eCl@ss 6.0	27180100
eCl@ss 7.0	27180190
eCl@ss 8.0	27180190
eCl@ss 9.0	27180190

Junction box - FB-8-AL - 2316200

Classifications

ETIM

ETIM 3.0	EC001600
ETIM 4.0	EC000261
ETIM 5.0	EC000261
ETIM 6.0	EC000261

UNSPSC

UNSPSC 6.01	30211506
UNSPSC 7.0901	39121008
UNSPSC 11	39121008
UNSPSC 12.01	39121008
UNSPSC 13.2	31261502
UNSPSC 19.0	31261502

Accessories

Accessories

Cable screw gland

Cable gland - FB-M-KV-M20-EX - 2900197



Cable gland, M20, for FB... enclosure

Cable gland - FB-M-BS-M20-EX - 2900209



Plug, M20, for FB... enclosure

Cable gland - FB-M-BD-M20-EX - 2901859



Breather, M20, for FB... enclosure

Phoenix Contact 2020 © - all rights reserved
<http://www.phoenixcontact.com>

PHOENIX CONTACT GmbH & Co. KG
Flachmarktstr. 8
32825 Blomberg
Germany
Tel. +49 5235 300
Fax +49 5235 3 41200
<http://www.phoenixcontact.com>

X-ON Electronics

Largest Supplier of Electrical and Electronic Components

Click to view similar products for [Controllers](#) category:

Click to view products by [Phoenix Contact](#) manufacturer:

Other Similar products are found below :

[61FGPN8DAC120](#) [CV500SLK21](#) [70177-1011](#) [F03-03 HAS C](#) [F03-31](#) [81550401](#) [FT1A-C12RA-W](#) [88981106](#) [H2CAC24A](#) [H2CRSAC110B](#)
[R88A-CRGB003CR-E](#) [R88ARR080100S](#) [R88A-TK01K](#) [DCN1-1](#) [DRT2ID08C](#) [DTB4896VRE](#) [DTB9696CVE](#) [DTB9696LVE](#) [E53-AZ01](#)
[E53E01](#) [E53E8C](#) [E5C4Q40J999FAC120](#) [E5CWLQ1TCAC100240](#) [E5GNQ03PFLKACDC24](#) [B300LKL21](#) [NSCXDC1V3](#) [NSH5-232CW-3M](#)
[NT20SST122BV1](#) [NV-CN001](#) [OAS-160-N](#) [C40PEDRA](#) [K31S6](#) [K33-L1B](#) [K3MA-F](#) [100-240VAC](#) [K3TX-AD31A](#) [89750101](#) [L595020](#)
[SRM1-C02](#) [SRS2-1](#) [FT1A-C14SA-S](#) [G32X-V2K](#) [26546803](#) [26546805](#) [PWRA440A](#) [CPM1AETL03CH](#) [CV500SLK11](#) [3G2A5BI081](#)
[3G2A5IA122](#) [3G2A5LK010E](#) [3G2A5OA223](#)