

Device coupler - FB-DIAG/FF/LI - 2316284

Please be informed that the data shown in this PDF Document is generated from our Online Catalog. Please find the complete data in the user's documentation. Our General Terms of Use for Downloads are valid (<http://phoenixcontact.com/download>)



Field diagnostics module, legacy installation, includes pluggable side connector



Key Commercial Data

Packing unit	1 pc
GTIN	
GTIN	4046356783248

Technical data

Note

Utilization restriction	EMC: class A product, see manufacturer's declaration in the download area
-------------------------	---

Dimensions

Width	17.7 mm
Height	93.9 mm
Depth	70.4 mm

Ambient conditions

Ambient temperature (operation)	-40 °C ... 85 °C
Ambient temperature (storage/transport)	-40 °C ... 85 °C
Degree of protection	IP20

General

Mounting position	Any orientation on DIN rail, NS 35, in acc. with EN 60715
Net weight	114.3 g
Color	green
Conformance	IEC 61158-2
Fieldbus Foundation	FF-830

Device coupler - FB-DIAG/FF/LI - 2316284

Technical data

Power supply

Supply voltage range	9 V DC ... 32 V DC
Max. current consumption	29 mA
Typical current consumption	27 mA

Interfaces

Interface 1	FOUNDATION Fieldbus
Connection method	Pluggable screw connection with test points
Conductor cross section solid min.	0.2 mm ²
Conductor cross section solid max.	2.5 mm ²
Conductor cross section flexible min.	0.2 mm ²
Conductor cross section flexible max.	2.5 mm ²
Conductor cross section AWG min.	24
Conductor cross section AWG max.	12
Inductance Li	10 µH

Safety data

Input voltage U _i	32 V DC
Input current I _i	274 mA (IIC)
ATEX	Sira 13ATEX4149X; # II 3G Ex nA [ic] IIC T4 Gc
IECEX	IECEX SIR 13.0060X; Ex nA [ic] IIC T4 Gc
CSA, USA/Canada	Class I, Div. 2, Groups A,B,C,D; Ex nA nL IIC T4 Gc Class I, Zone 2, AEx nA nC IIC T4 Gc

Standards and Regulations

Type of test	Shock in acc. with EN 60068-2-27/IEC 60068-2-27
Test result	30g, 11 ms half-sine shock pulse
Type of test	Vibration resistance in acc. with EN 60068-2-6/IEC 60068-2-6
Test result	5g, 10 ... 150 Hz
Type of test	Corrosive resistance in acc. to ANSI-ISA 71.04-1985 - Severity level G3
Designation	Standards/regulations
Standards/regulations	Ring wave noise immunity in acc. with IEC 61000-4-12
Designation	Standards/regulations
Standards/regulations	Dry heat in acc. with IEC 61131-2
Designation	Standards/regulations
Standards/regulations	Damp heat in acc. with IEC 61131-2
Designation	Standards/regulations
Standards/regulations	Shock and vibration in acc. with EN 61131-2 and EN 50178
	IEC 61158-2
Flammability rating according to UL 94	V0
Conformance	IEC 61158-2
Fieldbus Foundation	FF-830
ATEX	Sira 13ATEX4149X; # II 3G Ex nA [ic] IIC T4 Gc

Device coupler - FB-DIAG/FF/LI - 2316284

Technical data

Standards and Regulations

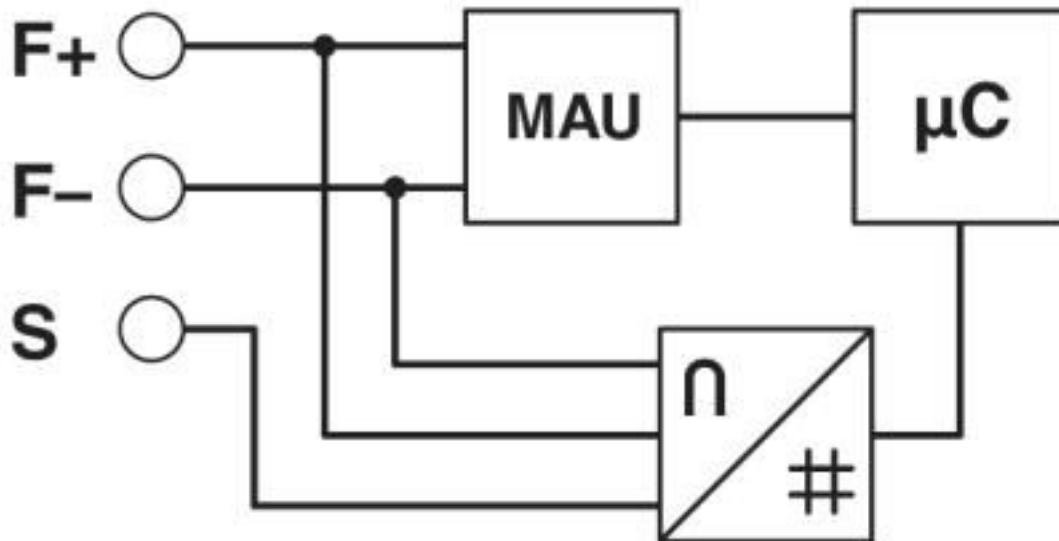
IECEX	IECEX SIR 13.0060X; Ex nA [ic] IIC T4 Gc
CSA, USA/Canada	Class I, Div. 2, Groups A,B,C,D; Ex nA nL IIC T4 Gc Class I, Zone 2, AEx nA nC IIC T4 Gc

Environmental Product Compliance

REACH SVHC	Lead 7439-92-1
China RoHS	Environmentally Friendly Use Period = 50 years
	For details about hazardous substances go to tab "Downloads", Category "Manufacturer's declaration"

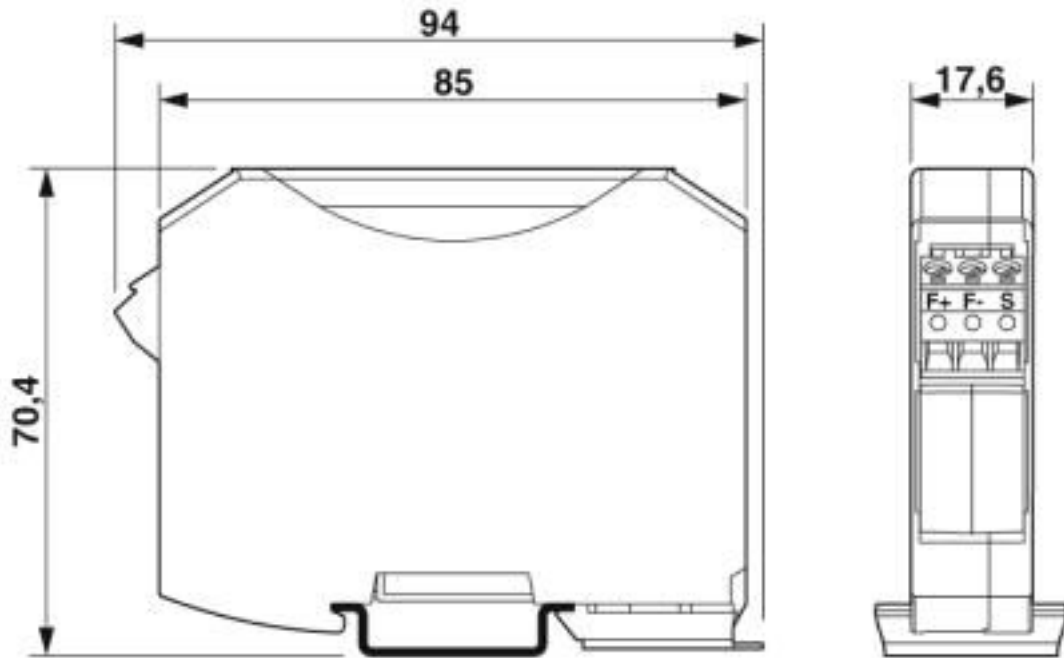
Drawings

Block diagram



Device coupler - FB-DIAG/FF/LI - 2316284

Dimensional drawing



Classifications

eCl@ss

eCl@ss 10.0.1	27242610
eCl@ss 4.0	27250200
eCl@ss 4.1	27250200
eCl@ss 5.0	27259200
eCl@ss 5.1	27259200
eCl@ss 6.0	27242600
eCl@ss 7.0	27242610
eCl@ss 8.0	27242610
eCl@ss 9.0	27242610

ETIM

ETIM 3.0	EC001600
ETIM 4.0	EC000261
ETIM 5.0	EC001600
ETIM 6.0	EC001600
ETIM 7.0	EC001600

UNSPSC

UNSPSC 6.01	30211506
UNSPSC 7.0901	39121008
UNSPSC 11	39121008

Device coupler - FB-DIAG/FF/LI - 2316284

Classifications

UNSPSC

UNSPSC 12.01	39121008
UNSPSC 13.2	32151602
UNSPSC 18.0	32151602
UNSPSC 19.0	32151602
UNSPSC 20.0	32151602
UNSPSC 21.0	32151602

Accessories

Accessories

Device coupler

Device coupler - FB-6SP - 2316307



Device coupler for Foundation Fieldbus and PROFIBUS PA with terminal connections for six spurs connected to fieldbus end devices.

Device coupler - FB-12SP - 2316310



Device coupler for Foundation Fieldbus and PROFIBUS PA with terminal connections for 12 spurs connected to fieldbus end devices.

Phoenix Contact 2020 © - all rights reserved
<http://www.phoenixcontact.com>

PHOENIX CONTACT GmbH & Co. KG
Flachsmarktstr. 8
32825 Blomberg
Germany
Tel. +49 5235 300
Fax +49 5235 3 41200
<http://www.phoenixcontact.com>

X-ON Electronics

Largest Supplier of Electrical and Electronic Components

Click to view similar products for [Terminal Block Interface Modules](#) category:

Click to view products by [Phoenix Contact](#) manufacturer:

Other Similar products are found below :

[73-551-6002I](#) [GCN1MX25B](#) [DIN-50P-01](#) [DIN-68H-01](#) [DIN-96DI-01](#) [2291901](#) [2295185](#) [2907794](#) [2M10FCL](#) [FLKM-2I/O](#) [FLKM-4I/O](#)
[2281759](#) [2906251](#) [2907808](#) [5601749](#) [5541962](#) [1776613-1](#) [GCN1-004A](#) [ADAM-3920R-AE](#) [060-6827-06](#) [2311030](#) [2287708](#) [XW2C-20G6-](#)
[IO16](#) [GCN1-T](#) [MACX](#) [MCR-VAC](#) [5775235](#) [ADAM-3956-BE](#) [XW6T-COM2.5X20YL](#) [XW6T-COM1.5X8BL](#) [XW6T-COM1.5X16BL](#)
[XW6T-COM1.5X20YL](#) [XW6T-COM1.5X16YL](#) [XW6T-COM1.5X20RD](#) [XW6T-COM1.5X20BL](#) [XW6T-COM2.5X8BL](#) [1976610000](#) [UM](#)
[45-D50SUB/B/ZFKDS](#) [5541234](#) [410-261](#) [2906243](#) [2906915](#) [2907706](#) [ADAM-3909-AE](#) [ADAM-3920-AE](#) [ADAM-3925-AE](#) [ADAM-3937-](#)
[BE](#) [ADAM-3950-AE](#) [ADAM-3951-BE](#) [ADAM-3968-AE](#) [ADAM-3968/50-AE](#)