

# Universal module - UM-2KS50/UNI/CS - 2319427


Please be informed that the data shown in this PDF Document is generated from our Online Catalog. Please find the complete data in the user's documentation. Our General Terms of Use for Downloads are valid (<http://phoenixcontact.com/download>)



Universal module for connecting to up to 32 channel digital Yokogawa cards, 1:1 connection of the Yokogawa system connector on screw terminal block connection.



## Key Commercial Data

Packing unit	1 pc
GTIN	 4 046356 361651
GTIN	4046356361651

## Technical data

### Dimensions

Width	139.5 mm
Height	125.5 mm
Depth	66 mm

### Ambient conditions

Ambient temperature (operation)	-20 °C ... 65 °C
Ambient temperature (storage/transport)	-20 °C ... 70 °C
Maximum altitude	max. 2000 m
Degree of protection	IP00
	≥ IP54 (Installation location)

### General

Nominal voltage $U_N$	24 V DC ±10 %
Max. perm. current (per branch)	100 mA
Mounting position	any

### Connection data

Connection name	Field level
Connection method	Screw connection

## Universal module - UM-2KS50/UNI/CS - 2319427

### Technical data

#### Connection data

Conductor cross section solid	0.2 mm <sup>2</sup> ... 4 mm <sup>2</sup>
Conductor cross section flexible	0.2 mm <sup>2</sup> ... 2.5 mm <sup>2</sup>
Conductor cross section AWG	24 ... 12

#### Connection data 2

Connection name	Controller level
Connection method	Yokogawa KS-compatible
Number of connections	2
Number of positions	50
Note	Usable system cables: Phoenix Contact YUC50, Yokogawa AKB331
Torque	0.5 Nm

#### Supported controller

Controller	YOKOGAWA CS3000 CentumVP
- suitable I/O card	ADV151
	ADV161
	ADV551
	ADV561
Controller	YOKOGAWA STARDOM
- suitable I/O card	NFDV151
	NFDV161
	NFDV551
	NFDV561

#### Standards and Regulations

Designation	Air clearances and creepage distances
Standards/regulations	DIN EN 50178: 1998-04
Rated insulation voltage	50 V
Rated surge voltage	0.5 kV (1.2/50 µs)
Insulation	Functional insulation
Pollution degree	2
Overvoltage category	II

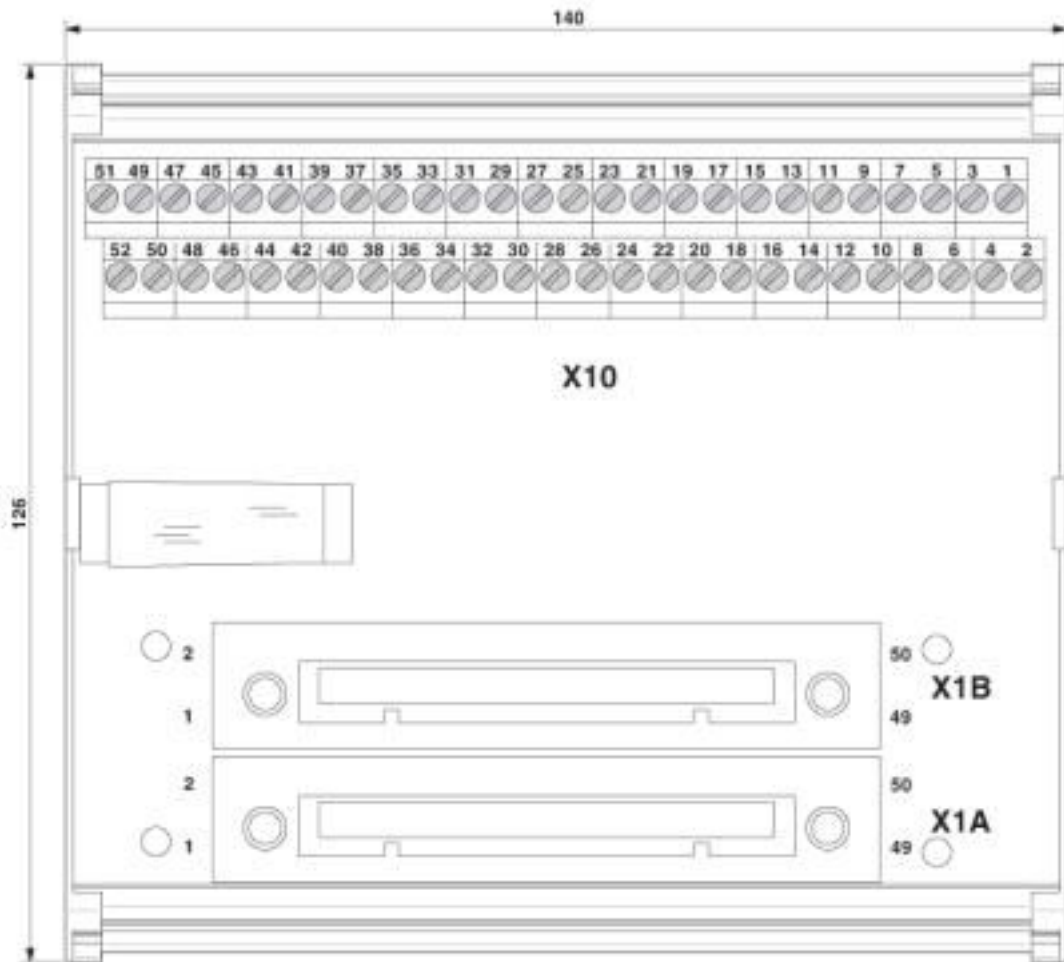
#### Environmental Product Compliance

REACH SVHC	Lead 7439-92-1
China RoHS	Environmentally Friendly Use Period = 50 years
	For details about hazardous substances go to tab "Downloads", Category "Manufacturer's declaration"

### Drawings

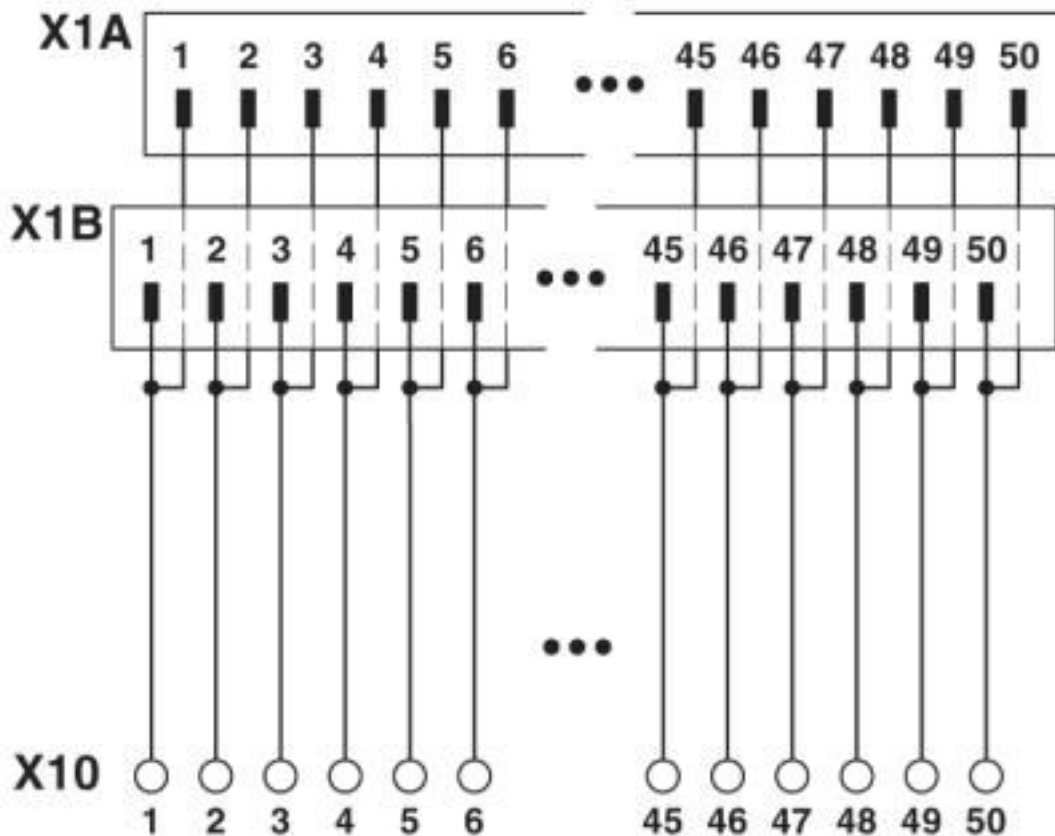
# Universal module - UM-2KS50/UNI/CS - 2319427

Dimensional drawing



# Universal module - UM-2KS50/UNI/CS - 2319427

Circuit diagram



## Classifications

### eCl@ss

eCl@ss 10.0.1	27141152
eCl@ss 4.0	24010700
eCl@ss 4.1	24010700
eCl@ss 5.0	19030500
eCl@ss 5.1	19030500
eCl@ss 6.0	27069200
eCl@ss 7.0	27141152
eCl@ss 8.0	27141152
eCl@ss 9.0	27141152

### ETIM

ETIM 5.0	EC002780
ETIM 6.0	EC002780
ETIM 7.0	EC002780

### UNSPSC

UNSPSC 6.01	30211824
-------------	----------

# Universal module - UM-2KS50/UNI/CS - 2319427

## Classifications

### UNSPSC

UNSPSC 7.0901	39121421
UNSPSC 11	39121421
UNSPSC 12.01	39121421
UNSPSC 13.2	39121432
UNSPSC 18.0	39121432
UNSPSC 19.0	39121432
UNSPSC 20.0	39121432
UNSPSC 21.0	39121432

## Approvals

### Approvals

---

Approvals

EAC

---

Ex Approvals

---

### Approval details

EAC		RU C- DE.A*30.B.01742
-----	--	--------------------------

## Accessories

### Accessories

#### Front adapter

Front adapters - FLK 50-PA/EZ-DR/KS/ 100/YUC - 2900991



Cast front adapter with attached round cable and a 50-pos. socket strip injection-molded on both sides for the connection of Yokogawa controllers. Cable length: 1.0 m

## Universal module - UM-2KS50/UNI/CS - 2319427

### Accessories

#### Front adapters - FLK 50-PA/EZ-DR/KS/ 200/YUC - 2314299



Cast front adapter with attached round cable and a 50-pos. socket strip injection-molded on both sides for the connection of Yokogawa controllers. Cable length: 2.0 m

---

#### Front adapters - FLK 50-PA/EZ-DR/KS/ 300/YUC - 2314309



Cast front adapter with attached round cable and a 50-pos. socket strip injection-molded on both sides for the connection of Yokogawa controllers. Cable length: 3.0 m

---

#### Front adapters - FLK 50-PA/EZ-DR/KS/ 400/YUC - 2314312



Cast front adapter with attached round cable and a 50-pos. socket strip injection-molded on both sides for the connection of Yokogawa controllers. Cable length: 4.0 m

---

#### Front adapters - FLK 50-PA/EZ-DR/KS/ 500/YUC - 2321499



Cast front adapter with attached round cable and a 50-pos. socket strip injection-molded on both sides for the connection of Yokogawa controllers. Cable length: 5.0 m

---

#### Front adapters - FLK 50-PA/EZ-DR/KS/ 600/YUC - 2314927



Cast front adapter with attached round cable and a 50-pos. socket strip injection-molded on both sides for the connection of Yokogawa controllers. Cable length: 6.0 m

---

## Universal module - UM-2KS50/UNI/CS - 2319427

### Accessories

#### Front adapters - FLK 50-PA/EZ-DR/KS/ 700/YUC - 2321509



Cast front adapter with attached round cable and a 50-pos. socket strip injection-molded on both sides for the connection of Yokogawa controllers. Cable length: 7.0 m

---

#### Front adapters - FLK 50-PA/EZ-DR/KS/ 800/YUC - 2314930



Cast front adapter with attached round cable and a 50-pos. socket strip injection-molded on both sides for the connection of Yokogawa controllers. Cable length: 8.0 m

---

#### Front adapters - FLK 50-PA/EZ-DR/KS/ 900/YUC - 2321512



Cast front adapter with attached round cable and a 50-pos. socket strip injection-molded on both sides for the connection of Yokogawa controllers. Cable length: 9.0 m

---

#### Front adapters - FLK 50-PA/EZ-DR/KS/1000/YUC - 2314325



Cast front adapter with attached round cable and a 50-pos. socket strip injection-molded on both sides for the connection of Yokogawa controllers. Cable length: 10.0 m

---

#### Front adapters - FLK 50-PA/EZ-DR/KS/1100/YUC - 2321389



Cast front adapter with attached round cable and a 50-pos. socket strip injection-molded on both sides for the connection of Yokogawa controllers. Cable length: 11.0 m

---

## Universal module - UM-2KS50/UNI/CS - 2319427

### Accessories

#### Front adapters - FLK 50-PA/EZ-DR/KS/1200/YUC - 2321525



Cast front adapter with attached round cable and a 50-pos. socket strip injection-molded on both sides for the connection of Yokogawa controllers. Cable length: 12.0 m

---

#### Front adapters - FLK 50-PA/EZ-DR/KS/1300/YUC - 2321392



Cast front adapter with attached round cable and a 50-pos. socket strip injection-molded on both sides for the connection of Yokogawa controllers. Cable length: 13.0 m

---

#### Front adapters - FLK 50-PA/EZ-DR/KS/1400/YUC - 2321402



Cast front adapter with attached round cable and a 50-pos. socket strip injection-molded on both sides for the connection of Yokogawa controllers. Cable length: 14.0 m

---

#### Front adapters - FLK 50-PA/EZ-DR/KS/1500/YUC - 2314338



Cast front adapter with attached round cable and a 50-pos. socket strip injection-molded on both sides for the connection of Yokogawa controllers. Cable length: 15.0 m

---

#### Front adapters - FLK 50-PA/EZ-DR/KS/1600/YUC - 2321538



Cast front adapter with attached round cable and a 50-pos. socket strip injection-molded on both sides for the connection of Yokogawa controllers. Cable length: 16.0 m

---



## Universal module - UM-2KS50/UNI/CS - 2319427

### Accessories

#### Front adapters - FLK 50-PA/EZ-DR/KS/1700/YUC - 2321541



Cast front adapter with attached round cable and a 50-pos. socket strip injection-molded on both sides for the connection of Yokogawa controllers. Cable length: 17.0 m

---

#### Front adapters - FLK 50-PA/EZ-DR/KS/1800/YUC - 2321554



Cast front adapter with attached round cable and a 50-pos. socket strip injection-molded on both sides for the connection of Yokogawa controllers. Cable length: 18.0 m

---

#### Front adapters - FLK 50-PA/EZ-DR/KS/1900/YUC - 2321567



Cast front adapter with attached round cable and a 50-pos. socket strip injection-molded on both sides for the connection of Yokogawa controllers. Cable length: 19.0 m

---

#### Front adapters - FLK 50-PA/EZ-DR/KS/2000/YUC - 2314503



Cast front adapter with attached round cable and a 50-pos. socket strip injection-molded on both sides for the connection of Yokogawa controllers. Cable length: 20.0 m

---

#### Front adapters - FLK 50-PA/EZ-DR/KS/2500/YUC - 2314516



Cast front adapter with attached round cable and a 50-pos. socket strip injection-molded on both sides for the connection of Yokogawa controllers. Cable length: 25.0 m

---

## Universal module - UM-2KS50/UNI/CS - 2319427

### Accessories

#### Front adapters - FLK 50-PA/EZ-DR/KS/3000/YUC - 2314529



Cast front adapter with attached round cable and a 50-pos. socket strip injection-molded on both sides for the connection of Yokogawa controllers. Cable length: 30.0 m

---

#### Front adapters - FLK 50-PA/EZ-DR/KS/5000/YUC - 2318981



Cast front adapter with attached round cable and a 50-pos. socket strip injection-molded on both sides for the connection of Yokogawa controllers. Cable length: 50.0 m

---

#### Front adapters - FLK 50-PA/EZ-DR/HF/KS/ 100/YUC - 2904739



Cast front adapter with attached, halogen-free round cable and a 50-pos. socket strip injection-molded on both sides for the connection of Yokogawa controllers. Cable length: 1.0 m

---

#### Front adapters - FLK 50-PA/EZ-DR/HF/KS/ 200/YUC - 2904740



Cast front adapter with attached, halogen-free round cable and a 50-pos. socket strip injection-molded on both sides for the connection of Yokogawa controllers. Cable length: 2.0 m

---

#### Front adapters - FLK 50-PA/EZ-DR/HF/KS/ 300/YUC - 2904741



Cast front adapter with attached, halogen-free round cable and a 50-pos. socket strip injection-molded on both sides for the connection of Yokogawa controllers. Cable length: 3.0 m

---

## Universal module - UM-2KS50/UNI/CS - 2319427

### Accessories

#### Front adapters - FLK 50-PA/EZ-DR/HF/KS/ 400/YUC - 2904742



Cast front adapter with attached, halogen-free round cable and a 50-pos. socket strip injection-molded on both sides for the connection of Yokogawa controllers. Cable length: 4.0 m

---

#### Front adapters - FLK 50-PA/EZ-DR/HF/KS/ 500/YUC - 2904636



Cast front adapter with attached, halogen-free round cable and a 50-pos. socket strip injection-molded on both sides for the connection of Yokogawa controllers. Cable length: 5.0 m

---

#### Front adapters - FLK 50-PA/EZ-DR/HF/KS/ 600/YUC - 2904743



Cast front adapter with attached, halogen-free round cable and a 50-pos. socket strip injection-molded on both sides for the connection of Yokogawa controllers. Cable length: 6.0 m

---

#### Front adapters - FLK 50-PA/EZ-DR/HF/KS/ 700/YUC - 2904744



Cast front adapter with attached, halogen-free round cable and a 50-pos. socket strip injection-molded on both sides for the connection of Yokogawa controllers. Cable length: 7.0 m

---

#### Front adapters - FLK 50-PA/EZ-DR/HF/KS/ 800/YUC - 2904745



Cast front adapter with attached, halogen-free round cable and a 50-pos. socket strip injection-molded on both sides for the connection of Yokogawa controllers. Cable length: 8.0 m

---

## Universal module - UM-2KS50/UNI/CS - 2319427

### Accessories

#### Front adapters - FLK 50-PA/EZ-DR/HF/KS/ 900/YUC - 2904746



Cast front adapter with attached, halogen-free round cable and a 50-pos. socket strip injection-molded on both sides for the connection of Yokogawa controllers. Cable length: 9.0 m

---

#### Front adapters - FLK 50-PA/EZ-DR/HF/KS/1000/YUC - 2904637



Cast front adapter with attached, halogen-free round cable and a 50-pos. socket strip injection-molded on both sides for the connection of Yokogawa controllers. Cable length: 10.0 m

---

#### Front adapters - FLK 50-PA/EZ-DR/HF/KS/1500/YUC - 2904638



Cast front adapter with attached, halogen-free round cable and a 50-pos. socket strip injection-molded on both sides for the connection of Yokogawa controllers. Cable length: 15.0 m

---

#### Front adapters - FLK 50-PA/EZ-DR/HF/KS/2000/YUC - 2904487



Cast front adapter with attached, halogen-free round cable and a 50-pos. socket strip injection-molded on both sides for the connection of Yokogawa controllers. Cable length: 20.0 m

---

#### Front adapters - FLK 50-PA/EZ-DR/HF/KS/2500/YUC - 2904639



Cast front adapter with attached, halogen-free round cable and a 50-pos. socket strip injection-molded on both sides for the connection of Yokogawa controllers. Cable length: 25.0 m

---

## Universal module - UM-2KS50/UNI/CS - 2319427

### Accessories

#### Front adapters - FLK 50-PA/EZ-DR/HF/KS/3000/YUC - 2904640



Cast front adapter with attached, halogen-free round cable and a 50-pos. socket strip injection-molded on both sides for the connection of Yokogawa controllers. Cable length: 30.0 m

---

#### Front adapters - FLK 50-PA/EZ-DR/HF/KS/3500/YUC - 2904641



Cast front adapter with attached, halogen-free round cable and a 50-pos. socket strip injection-molded on both sides for the connection of Yokogawa controllers. Cable length: 35.0 m

---

#### Front adapters - FLK 50-PA/EZ-DR/HF/KS/4000/YUC - 2904642



Cast front adapter with attached, halogen-free round cable and a 50-pos. socket strip injection-molded on both sides for the connection of Yokogawa controllers. Cable length: 40.0 m

---

#### Front adapters - FLK 50-PA/EZ-DR/HF/KS/4500/YUC - 2904643



Cast front adapter with attached, halogen-free round cable and a 50-pos. socket strip injection-molded on both sides for the connection of Yokogawa controllers. Cable length: 45.0 m

---

#### Front adapters - FLK 50-PA/EZ-DR/HF/KS/5000/YUC - 2904644



Cast front adapter with attached, halogen-free round cable and a 50-pos. socket strip injection-molded on both sides for the connection of Yokogawa controllers. Cable length: 50.0 m

---

### System cable

## Universal module - UM-2KS50/UNI/CS - 2319427

### Accessories

#### Cable - FLK-MIL50/EZ-DR/KS/ 200/YCS - 2314590



Round cable set; controller: Yokogawa CS3000 CentumVP (ADV561, ADV161); connection 1: IDC/FLK socket strip (1x 50-position); connection 2: Yokogawa, KS compatible (1x 50-position); cable length: 2 m

---

#### Cable - FLK-MIL50/EZ-DR/KS/ 300/YCS - 2314781



Assembled shielded round cable; controller: Yokogawa CS3000 CentumVP (ADV561, ADV161); connection 1: IDC/FLK socket strip (1x 50-position); connection 2: Yokogawa, KS compatible (1x 50-position); cable length: 3 m

---

#### Cable - FLK-MIL50/EZ-DR/KS/ 400/YCS - 2314794



Assembled shielded round cable; controller: Yokogawa CS3000 CentumVP (ADV561, ADV161); connection 1: IDC/FLK socket strip (1x 50-position); connection 2: Yokogawa, KS compatible (1x 50-position); cable length: 4 m

---

#### Cable - FLK-MIL50/EZ-DR/KS/1000/YCS - 2314804



Assembled shielded round cable; controller: Yokogawa CS3000 CentumVP (ADV561, ADV161); connection 1: IDC/FLK socket strip (1x 50-position); connection 2: Yokogawa, KS compatible (1x 50-position); cable length: 10 m

---

#### Cable - FLK-MIL50/EZ-DR/KS/1500/YCS - 2314817



Assembled shielded round cable; controller: Yokogawa CS3000 CentumVP (ADV561, ADV161); connection 1: IDC/FLK socket strip (1x 50-position); connection 2: IDC/FLK socket strip (1x 50-position); cable length: 15 m

---

## Universal module - UM-2KS50/UNI/CS - 2319427

### Accessories

#### Cable - FLK-MIL50/EZ-DR/KS/2000/YCS - 2314820



Assembled shielded round cable; controller: Yokogawa CS3000 CentumVP (ADV561, ADV161); connection 1: IDC/FLK socket strip (1x 50-position); connection 2: IDC/FLK socket strip (1x 50-position); cable length: 20 m

---

#### Cable - FLK-MIL50/EZ-DR/KS/3000/YCS - 2901018



Assembled shielded round cable; controller: Yokogawa CS3000 CentumVP (ADV561, ADV161); connection 1: IDC/FLK socket strip (1x 50-position); connection 2: IDC/FLK socket strip (1x 50-position); cable length: 30 m

---

#### Cable - FLK-MIL50/EZ-DR/KS/3500/YCS - 2901019



Assembled shielded round cable; controller: Yokogawa CS3000 CentumVP (ADV561, ADV161); connection 1: IDC/FLK socket strip (1x 50-position); connection 2: IDC/FLK socket strip (1x 50-position); cable length: 35 m

---

#### Cable - FLK-MIL50/EZ-DR/KS/4000/YCS - 2901020



Assembled shielded round cable; controller: Yokogawa CS3000 CentumVP (ADV561, ADV161); connection 1: IDC/FLK socket strip (1x 50-position); connection 2: IDC/FLK socket strip (1x 50-position); cable length: 40 m

---

#### Cable - FLK-MIL50/EZ-DR/KS/8000/YCS - 2321868



Assembled shielded round cable; controller: Yokogawa CS3000 CentumVP (ADV561, ADV161); connection 1: IDC/FLK socket strip (1x 50-position); connection 2: IDC/FLK socket strip (1x 50-position); cable length: 80 m

---

---

Phoenix Contact 2020 © - all rights reserved  
<http://www.phoenixcontact.com>

PHOENIX CONTACT GmbH & Co. KG  
Flachsmarktstr. 8  
32825 Blomberg  
Germany  
Tel. +49 5235 300  
Fax +49 5235 3 41200  
<http://www.phoenixcontact.com>



## X-ON Electronics

Largest Supplier of Electrical and Electronic Components

*Click to view similar products for [Terminal Block Interface Modules](#) category:*

*Click to view products by [Phoenix Contact](#) manufacturer:*

Other Similar products are found below :

[73-551-6002I](#) [GCN1MX25B](#) [DIN-50P-01](#) [DIN-68H-01](#) [DIN-96DI-01](#) [2291901](#) [2295185](#) [2907794](#) [2M10FCL](#) [FLKM-2I/O](#) [FLKM-4I/O](#)  
[2281759](#) [2906251](#) [2907808](#) [5601749](#) [5541962](#) [1776613-1](#) [GCN1-004A](#) [ADAM-3920R-AE](#) [060-6827-06](#) [2311030](#) [2287708](#) [XW2C-20G6-](#)  
[IO16](#) [GCN1-T](#) [MACX](#) [MCR-VAC](#) [5775235](#) [ADAM-3956-BE](#) [XW6T-COM2.5X20YL](#) [XW6T-COM1.5X8BL](#) [XW6T-COM1.5X16BL](#)  
[XW6T-COM1.5X20YL](#) [XW6T-COM1.5X16YL](#) [XW6T-COM1.5X20RD](#) [XW6T-COM1.5X20BL](#) [XW6T-COM2.5X8BL](#) [1976610000](#) [UM](#)  
[45-D50SUB/B/ZFKDS](#) [5541234](#) [410-261](#) [2906243](#) [2906915](#) [2907706](#) [ADAM-3909-AE](#) [ADAM-3920-AE](#) [ADAM-3925-AE](#) [ADAM-3937-](#)  
[BE](#) [ADAM-3950-AE](#) [ADAM-3951-BE](#) [ADAM-3968-AE](#) [ADAM-3968/50-AE](#)