

Uninterruptible power supply - QUINT-UPS/ 24DC/ 24DC/ 5/1.3AH - 2320254

Please be informed that the data shown in this PDF Document is generated from our Online Catalog. Please find the complete data in the user's documentation. Our General Terms of Use for Downloads are valid (<http://phoenixcontact.com/download>)



Uninterruptible energy supply with IQ technology and integrated energy storage for DIN rail mounting, input 24 V DC, output: 24 V DC/5 A, energy storage: lead AGM 1.3 Ah, incl. mounted UTA 107/30 universal DIN rail adapter

Product Description


UPS modules with integrated energy storage are particularly space saving: UPS module and energy storage are combined in one housing. It's just a case of connecting a power supply upstream.

Your advantages

- ✓ Easy handling thanks to automatic battery detection, tool-free battery replacement during operation, and communication via the IFS interface
- ✓ Reliable starting of difficult loads with the static POWER BOOST power reserve with up to 1.5 times the nominal current permanently
- ✓ Fast tripping of standard circuit breakers with SFB (selective fuse breaking) technology
- ✓ Device suitable for universal use thanks to comprehensive license package and extensive parameterization and diagnostics options



Key Commercial Data

| | |
|--------------|---|
| Packing unit | 1 pc |
| GTIN |  4 046356 554145 |
| GTIN | 4046356554145 |

Technical data

Dimensions

| | |
|----------------------------------|---------------|
| Width | 88 mm |
| Height | 138 mm |
| Depth | 125 mm |
| Installation distance right/left | 5 mm / 5 mm |
| Installation distance top/bottom | 50 mm / 50 mm |

Ambient conditions

| | |
|---------------------------------|----------------|
| Degree of protection | IP20 |
| Ambient temperature (operation) | 0 °C ... 40 °C |

Uninterruptible power supply - QUINT-UPS/ 24DC/ 24DC/ 5/1.3AH - 2320254

Technical data

Ambient conditions

| | |
|--|--------------------------------|
| Ambient temperature (storage/transport) | -15 °C ... 40 °C |
| Max. permissible relative humidity (operation) | ≤ 95 % (25 °C, non-condensing) |
| Climatic class | 3K3 (in acc. with EN 60721) |
| Degree of pollution | 2 |

Input data

| | |
|--|---------------------|
| Input voltage | 24 V DC |
| Input voltage range | 18 V DC ... 30 V DC |
| Current consumption (maximum) | 9.3 A (24 V DC) |
| Current consumption (idle) | 9.7 mA |
| Current consumption (charging process) | 1.7 A |
| Fixed backup threshold | ≤ 22.6 V DC |

Output data (24 V DC mains operation)

| | |
|---|---|
| Nominal output voltage | 24 V DC |
| Output voltage range (depends on the input voltage) | 18 V DC ... 30 V DC ($U_{OUT} = U_{IN} - 0.1 \text{ V DC}$) |
| Nominal output current (I_N) | 5 A (0 °C ... 40 °C) |
| POWER BOOST (I_{Boost}) | 7.5 A (0 °C ... 40 °C) |
| Selective Fuse Breaking (I_{SFB}) | 30 A (0 °C ... 40 °C) |

Output data (24 V DC battery operation)

| | |
|---|--|
| Nominal output voltage | 24 V DC |
| Output voltage range (depends on the input voltage) | 19.2 V DC ... 27.6 V DC ($U_{OUT} = U_{BAT} - 0.5 \text{ V DC}$) |
| Nominal output current (I_N) | 5 A (0 °C ... 40 °C) |
| POWER BOOST (I_{Boost}) | 7.5 A (0 °C ... 40 °C) |
| Selective Fuse Breaking (I_{SFB}) | 32.5 A (0 °C ... 40 °C) |

General output data

| | |
|------------|---|
| Efficiency | > 97.1 % (Mains operation, with charged energy storage) |
|------------|---|

General

| | |
|----------------------------|---|
| IQ technology | Yes |
| Disposal | Used batteries must not be thrown away with household waste, they should instead be disposed of in accordance with applicable national regulations. They can also be returned to Phoenix Contact or the manufacturer. |
| Net weight | 2.2 kg |
| Memory medium | Lead rechargeable battery module 1.3 Ah |
| Protection class | III |
| MTBF (IEC 61709, SN 29500) | > 806000 h (40 °C) |
| Mounting position | horizontal DIN rail NS 35, EN 60715 |
| Assembly instructions | alignable: horizontal 5 mm, vertical 50 mm |

Uninterruptible power supply - QUINT-UPS/ 24DC/ 24DC/ 5/1.3AH - 2320254

Technical data

Energy storage

| | |
|--------------------|--------------------------|
| Battery technology | VRLA |
| Accumulator type | 2x Panasonic LC-R121R3PG |
| Buffer period | 50 min. (1 A) |
| | 5 min. (5 A) |

Connection data, input

| | |
|---------------------------------------|----------------------------|
| Connection method | Pluggable screw connection |
| Conductor cross section solid min. | 0.2 mm ² |
| Conductor cross section solid max. | 2.5 mm ² |
| Conductor cross section flexible min. | 0.2 mm ² |
| Conductor cross section flexible max. | 2.5 mm ² |
| Conductor cross section AWG min. | 20 |
| Conductor cross section AWG max. | 12 |
| Stripping length | 7 mm |
| Screw thread | M4 |

Connection data, output

| | |
|---------------------------------------|----------------------------|
| Connection method | Pluggable screw connection |
| Conductor cross section solid min. | 0.2 mm ² |
| Conductor cross section solid max. | 2.5 mm ² |
| Conductor cross section flexible min. | 0.2 mm ² |
| Conductor cross section flexible max. | 2.5 mm ² |
| Conductor cross section AWG min. | 20 |
| Conductor cross section AWG max. | 12 |
| Stripping length | 7 mm |
| Screw thread | M4 |

Connection data for signaling

| | |
|---------------------------------------|---------------------|
| Conductor cross section solid min. | 0.2 mm ² |
| Conductor cross section solid max. | 2.5 mm ² |
| Conductor cross section flexible min. | 0.2 mm ² |
| Conductor cross section flexible max. | 2.5 mm ² |
| Conductor cross section AWG min. | 24 |
| Conductor cross section AWG max. | 12 |
| Screw thread | M4 |

Standards

| | |
|-------------------------------------|----------------------------|
| EMC requirements for noise immunity | EN 61000-6-1 |
| | EN 61000-6-2 |
| EMC requirements for noise emission | EN 61000-6-3 |
| | EN 61000-6-4 |
| Standard - Electrical safety | EN 60950-1/VDE 0805 (SELV) |

Uninterruptible power supply - QUINT-UPS/ 24DC/ 24DC/ 5/1.3AH - 2320254

Technical data

Standards

| | |
|--|--------------------------|
| Standard – Electronic equipment for use in electrical power installations and their assembly into electrical power installations | EN 50178/VDE 0160 (PELV) |
| Rail applications | EN 50121-4 |

Conformance/approvals

| | |
|--------------|-------------------------------|
| UL approvals | UL/C-UL Recognized UL 60950-1 |
| | UL Listed UL 508 |

EMC data

| | |
|-------------------------------|--|
| Electromagnetic compatibility | Conformance with EMC Directive 2014/30/EU |
| Low Voltage Directive | Conformance with Low Voltage Directive 2014/35/EC |
| Electrostatic discharge | EN 61000-4-2 |
| Contact discharge | 8 kV (Test Level 4) |
| Discharge in air | 15 kV (Test Level 4) |
| Electromagnetic HF field | EN 61000-4-3 |
| Frequency range | 80 MHz ... 1 GHz |
| Test field strength | 20 V/m |
| Frequency range | 1 GHz ... 2 GHz |
| Test field strength | 10 V/m |
| Frequency range | 2 GHz ... 3 GHz |
| Test field strength | 3 V/m |
| Comments | Criterion A |
| Fast transients (burst) | EN 61000-4-4 |
| Input | 2 kV (Test Level 3 - asymmetrical) |
| Output | 2 kV (Test Level 3 - asymmetrical) |
| Signal | 2 kV (Test Level 4 - asymmetrical) |
| Comments | Criterion A |
| Surge voltage load (surge) | EN 61000-4-5 |
| Input | 1 kV (Test Level 2 - symmetrical) |
| | 2 kV (Test Level 3 - asymmetrical) |
| Output | 1 kV (Test Level 2 - symmetrical) |
| | 2 kV (Test Level 3 - asymmetrical) |
| Signal | 1 kV (Test Level 2 - asymmetrical) |
| Comments | Criterion A |
| Conducted interference | EN 61000-4-6 |
| I/O/S | asymmetrical |
| Frequency range | 0.15 MHz ... 80 MHz |
| Voltage | 10 V (Test Level 3) |
| Comments | Criterion A |
| Criterion A | Normal operating behavior within the specified limits. |

Uninterruptible power supply - QUINT-UPS/ 24DC/ 24DC/ 5/1.3AH - 2320254

Technical data

EMC data

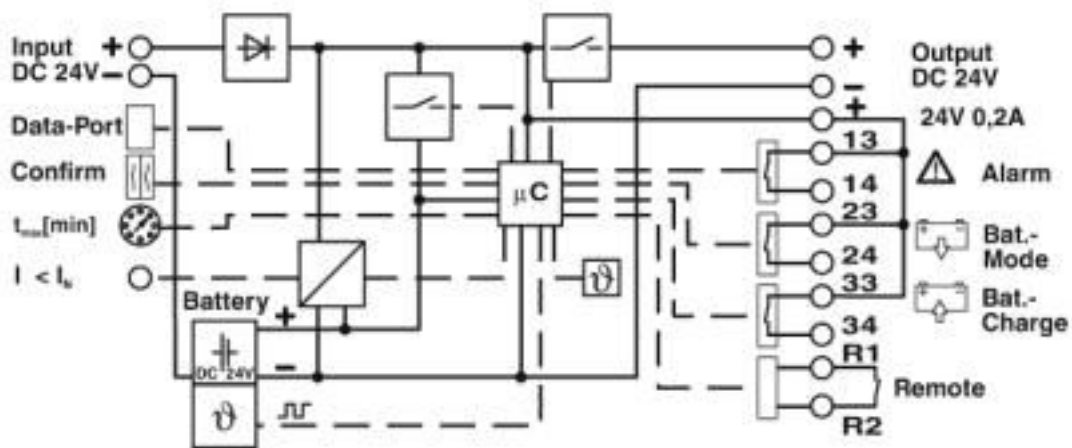
| | |
|-------------|--|
| Criterion B | Temporary impairment to operational behavior that is corrected by the device itself. |
|-------------|--|

Environmental Product Compliance

| | |
|------------|---|
| REACH SVHC | Lead 7439-92-1 |
| China RoHS | Environmentally Friendly Use Period = 3 |
| | For details about hazardous substances go to tab "Downloads", Category "Manufacturer's declaration" |

Drawings

Block diagram



Classifications

eCl@ss

| | |
|---------------|----------|
| eCl@ss 10.0.1 | 27040705 |
| eCl@ss 4.0 | 27040600 |
| eCl@ss 4.1 | 27040600 |
| eCl@ss 5.0 | 27040600 |
| eCl@ss 5.1 | 27040600 |
| eCl@ss 6.0 | 27040600 |
| eCl@ss 7.0 | 27040603 |
| eCl@ss 8.0 | 27040603 |
| eCl@ss 9.0 | 27040705 |

ETIM

| | |
|----------|----------|
| ETIM 3.0 | EC001039 |
| ETIM 4.0 | EC000382 |

Uninterruptible power supply - QUINT-UPS/ 24DC/ 24DC/ 5/1.3AH - 2320254

Classifications

ETIM

| | |
|----------|----------|
| ETIM 5.0 | EC000382 |
| ETIM 6.0 | EC000382 |
| ETIM 7.0 | EC000382 |

UNSPSC

| | |
|---------------|----------|
| UNSPSC 6.01 | 30211510 |
| UNSPSC 7.0901 | 39121011 |
| UNSPSC 11 | 39121011 |
| UNSPSC 12.01 | 39121011 |
| UNSPSC 13.2 | 39121011 |
| UNSPSC 18.0 | 39121011 |
| UNSPSC 19.0 | 39121011 |
| UNSPSC 20.0 | 39121011 |
| UNSPSC 21.0 | 39121011 |

Approvals

Approvals

Approvals

UL Listed / UL Recognized / cUL Recognized / cUL Listed / EAC / EAC / cULus Recognized / cULus Listed

Ex Approvals

UL Listed / cUL Listed / cULus Listed

Approval details

| | | | |
|-----------|--|---|---------------|
| UL Listed | | http://database.ul.com/cgi-bin/XYV/template/LISEXT/1FRAME/index.htm | FILE E 123528 |
|-----------|--|---|---------------|

| | | | |
|---------------|--|---|---------------|
| UL Recognized | | http://database.ul.com/cgi-bin/XYV/template/LISEXT/1FRAME/index.htm | FILE E 211944 |
|---------------|--|---|---------------|

| | | | |
|----------------|--|---|---------------|
| cUL Recognized | | http://database.ul.com/cgi-bin/XYV/template/LISEXT/1FRAME/index.htm | FILE E 211944 |
|----------------|--|---|---------------|

Uninterruptible power supply - QUINT-UPS/ 24DC/ 24DC/ 5/1.3AH - 2320254

Approvals

| | | | |
|------------|--|---|---------------|
| cUL Listed | | http://database.ul.com/cgi-bin/XYV/template/LISEXT/1FRAME/index.htm | FILE E 123528 |
|------------|--|---|---------------|

| | | |
|-----|--|---------------|
| EAC | | EAC-Zulassung |
|-----|--|---------------|

| | | |
|-----|--|---------------------|
| EAC | | RU*DE*08.B.01873/19 |
|-----|--|---------------------|

| | |
|------------------|--|
| cULus Recognized | |
|------------------|--|

| | |
|--------------|--|
| cULus Listed | |
|--------------|--|

Accessories

Accessories

Assembly adapter

Assembly adapters - QUINT-PS-ADAPTERS7/1 - 2938196



Assembly adapter for QUINT-PS... power supply on S7-300 rail

Assembly adapters - UTA 107/30 - 2320089



Universal DIN rail adapter

Uninterruptible power supply - QUINT-UPS/ 24DC/ 24DC/ 5/1.3AH - 2320254

Accessories

Assembly adapters - UWA 182/52 - 2938235



Universal wall adapter for securely mounting the device in the event of strong vibrations. The device is screwed directly onto the mounting surface. The universal wall adapter is attached on the top/bottom.

Battery unit

Uninterruptible power supply replacement battery - UPS-BAT-KIT-VRLA 2X12V/1,3AH - 2908665



Replacement battery for UPS-BAT/VRLA... energy storage

Data cable preassembled

Data cable - IFS-USB-DATACABLE - 2320500



Used for communicating between industrial PCs and Phoenix Contact devices with the 12-pos. IFS data port, such as QUINT UPS or TRIO UPS.

Data cable - IFS-RS232-DATACABLE - 2320490



Data cable for communication between devices with a D-SUB 9 RS-232 connection and Phoenix Contact devices with the 12-pos. IFS data port such as QUINT UPS-IQ or TRIO UPS.

Data cable - IFS-MINI-DIN-DATACABLE - 2320487



Data cable for communication, e.g., between Phoenix Contact type ILC 1xx Inline controllers and Phoenix Contact devices with the 12-pos. IFS data port, such as QUINT UPS-IQ UPS or TRIO UPS

Uninterruptible power supply - QUINT-UPS/ 24DC/ 24DC/ 5/1.3AH - 2320254

Accessories

Data cable - IFS-OPEN-END-DATACABLE - 2320450



Data cable with open cable ends for communication, e.g., between a Phoenix Contact Inline communication terminal (IB IL RS UNI-PAC, 2700893) and Phoenix Contact devices with the 12-pos. IFS data port, such as QUINT UPS-IQ or TRIO UPS

Fuse

Fuse - SI FORM C 15 A DIN 72581 - 0913676



Flat-type plug-in fuse, type C, color code: light blue, nominal current: 15 A

Memory block

Memory block - IFS-CONFSTICK-L - 2901103



Multi-functional memory block with handle for the INTERFACE system; for easy storage and back up of the configuration.

X-ON Electronics

Largest Supplier of Electrical and Electronic Components

Click to view similar products for [UPS - Uninterruptible Power Supplies](#) category:

Click to view products by [Phoenix Contact](#) manufacturer:

Other Similar products are found below :

[SMART-1400-RM](#) [UPS1500ITSIT](#) [UPS12438](#) [UPS12434](#) [UPS25512](#) [UPS1024746](#) [UPS23916EBM](#) [UPSITSNMP](#) [TRIO-UPS-2G/1AC/24DC/5](#) [TRIO-UPS-2G/1AC/24DC/10](#) [QUINT4-UPS/24DC/24DC/20/EI](#) [QUINT4-UPS/24DC/24DC/5/USB](#) [QUINT4-UPS/24DC/24DC/20/US](#) [SLNSPSPMBRK](#) [MINI-BAT/12DC/2.6AH](#) [TSPC 240-124UPS](#) [AKKUTEC2440](#) [DR-UPS40](#) [UPS003LSM](#)
[1081430](#) [1082548](#) [1094596](#) [2320212](#) [2320225](#) [2320238](#) [2320241](#) [2320254](#) [2320267](#) [2320270](#) [2320377](#) [2320380](#) [2320393](#) [2320461](#)
[2866213](#) [2866226](#) [2866239](#) [2866242](#) [2866349](#) [2866352](#) [2866365](#) [2866417](#) [2866569](#) [2866572](#) [2866598](#) [2866611](#) [2866666](#) [2868703](#)
[2905907](#) [2905908](#) [2905909](#)