

Uninterruptible power supply - QUINT-UPS/ 24DC/ 24DC/10/3.4AH - 2320267

Please be informed that the data shown in this PDF Document is generated from our Online Catalog. Please find the complete data in the user's documentation. Our General Terms of Use for Downloads are valid (<http://phoenixcontact.com/download>)



Uninterruptible energy supply with IQ technology and integrated energy storage for DIN rail mounting, input 24 V DC, output: 24 V DC/10 A, energy storage: lead AGM 3.4 Ah, incl. mounted UTA 107/30 universal DIN rail adapter

Product Description


UPS modules with integrated energy storage are particularly space saving: UPS module and energy storage are combined in one housing. It's just a case of connecting a power supply upstream.

Your advantages

- ✓ Easy handling thanks to automatic battery detection, tool-free battery replacement during operation, and communication via the IFS interface
- ✓ Reliable starting of difficult loads with the static POWER BOOST power reserve with up to 1.5 times the nominal current permanently
- ✓ Fast tripping of standard circuit breakers with SFB (selective fuse breaking) technology
- ✓ Device suitable for universal use thanks to comprehensive license package and extensive parameterization and diagnostics options



Key Commercial Data

Packing unit	1 pc
GTIN	 4 046356 554183
GTIN	4046356554183

Technical data

Dimensions

Width	120 mm
Height	169 mm
Depth	125 mm
Installation distance right/left	5 mm / 5 mm
Installation distance top/bottom	50 mm / 50 mm

Ambient conditions

Degree of protection	IP20
Ambient temperature (operation)	0 °C ... 40 °C

Uninterruptible power supply - QUINT-UPS/ 24DC/ 24DC/10/3.4AH - 2320267

Technical data

Ambient conditions

Ambient temperature (storage/transport)	-15 °C ... 40 °C
Max. permissible relative humidity (operation)	≤ 95 % (25 °C, non-condensing)
Climatic class	3K3 (in acc. with EN 60721)
Degree of pollution	2

Input data

Input voltage	24 V DC
Input voltage range	18 V DC ... 30 V DC
Current consumption (maximum)	18.6 A (24 V DC)
Current consumption (idle)	9.5 mA
Current consumption (charging process)	3.6 A

Output data (24 V DC mains operation)

Nominal output voltage	24 V DC
Output voltage range (depends on the input voltage)	18 V DC ... 30 V DC
Nominal output current (I _N)	10 A (0 °C ... 40 °C)
POWER BOOST (I _{Boost})	15 A (0 °C ... 40 °C)
Selective Fuse Breaking (I _{SFB})	60 A (0 °C ... 40 °C)

Output data (24 V DC battery operation)

Nominal output voltage	24 V DC
Output voltage range (depends on the input voltage)	19.2 V DC ... 27.6 V DC (U _{OUT} = U _{BAT} - 0.5 V DC)
Nominal output current (I _N)	10 A (0 °C ... 40 °C)
POWER BOOST (I _{Boost})	15 A (0 °C ... 40 °C)
Selective Fuse Breaking (I _{SFB})	65 A (0 °C ... 40 °C)

General output data

Efficiency	> 97.6 % (Mains operation, with charged energy storage)
------------	---

General

IQ technology	Yes
Disposal	Used batteries must not be thrown away with household waste, they should instead be disposed of in accordance with applicable national regulations. They can also be returned to Phoenix Contact or the manufacturer.
Net weight	3.8 kg
Memory medium	Lead rechargeable battery module, 3.4 Ah
Protection class	III
MTBF (IEC 61709, SN 29500)	> 806000 h (40 °C)
Mounting position	horizontal DIN rail NS 35, EN 60715
Assembly instructions	alignable: horizontal 5 mm, vertical 50 mm

Energy storage

Uninterruptible power supply - QUINT-UPS/ 24DC/ 24DC/10/3.4AH - 2320267

Technical data

Energy storage

Battery technology	VRLA
Accumulator type	Panasonic UP-VW1220P1
Buffer period	180 min. (1 A)
	10 min. (10 A)

Connection data, input

Connection method	Pluggable screw connection
Conductor cross section solid min.	0.2 mm ²
Conductor cross section solid max.	2.5 mm ²
Conductor cross section flexible min.	0.2 mm ²
Conductor cross section flexible max.	2.5 mm ²
Conductor cross section AWG min.	16
Conductor cross section AWG max.	12
Stripping length	7 mm
Screw thread	M4

Connection data, output

Connection method	Pluggable screw connection
Conductor cross section solid min.	0.2 mm ²
Conductor cross section solid max.	2.5 mm ²
Conductor cross section flexible min.	0.2 mm ²
Conductor cross section flexible max.	2.5 mm ²
Conductor cross section AWG min.	16
Conductor cross section AWG max.	12
Stripping length	7 mm
Screw thread	M4

Connection data for signaling

Conductor cross section solid min.	0.2 mm ²
Conductor cross section solid max.	2.5 mm ²
Conductor cross section flexible min.	0.2 mm ²
Conductor cross section flexible max.	2.5 mm ²
Conductor cross section AWG min.	24
Conductor cross section AWG max.	12
Screw thread	M4

Standards

EMC requirements for noise immunity	EN 61000-6-1
	EN 61000-6-2
EMC requirements for noise emission	EN 61000-6-3
	EN 61000-6-4
Standard - Electrical safety	EN 60950-1/VDE 0805 (SELV)

Uninterruptible power supply - QUINT-UPS/ 24DC/ 24DC/10/3.4AH - 2320267

Technical data

Standards

Standard – Electronic equipment for use in electrical power installations and their assembly into electrical power installations	EN 50178/VDE 0160 (PELV)
Rail applications	EN 50121-4

Conformance/approvals

UL approvals	UL/C-UL Recognized UL 60950-1
	UL Listed UL 508

EMC data

Electromagnetic compatibility	Conformance with EMC Directive 2014/30/EU
Low Voltage Directive	Conformance with Low Voltage Directive 2014/35/EC
Electrostatic discharge	EN 61000-4-2
Contact discharge	8 kV (Test Level 4)
Discharge in air	15 kV (Test Level 4)
Electromagnetic HF field	EN 61000-4-3
Frequency range	80 MHz ... 1 GHz
Test field strength	20 V/m
Frequency range	1 GHz ... 3 GHz
Test field strength	10 V/m
Frequency range	2 GHz ... 3 GHz
Test field strength	3 V/m
Comments	Criterion A
Fast transients (burst)	EN 61000-4-4
Input	2 kV (Test Level 3 - asymmetrical)
Output	2 kV (Test Level 3 - asymmetrical)
Signal	2 kV (Test Level 4 - asymmetrical)
Comments	Criterion A
Surge voltage load (surge)	EN 61000-4-5
Input	1 kV (Test Level 2 - symmetrical)
	2 kV (Test Level 3 - asymmetrical)
Output	1 kV (Test Level 2 - symmetrical)
	2 kV (Test Level 3 - asymmetrical)
Signal	1 kV (Test Level 2 - asymmetrical)
Comments	Criterion A
Conducted interference	EN 61000-4-6
I/O/S	asymmetrical
Frequency range	0.15 MHz ... 80 MHz
Voltage	10 V (Test Level 3)
Comments	Criterion A
Criterion A	Normal operating behavior within the specified limits.

Uninterruptible power supply - QUINT-UPS/ 24DC/ 24DC/10/3.4AH - 2320267

Technical data

EMC data

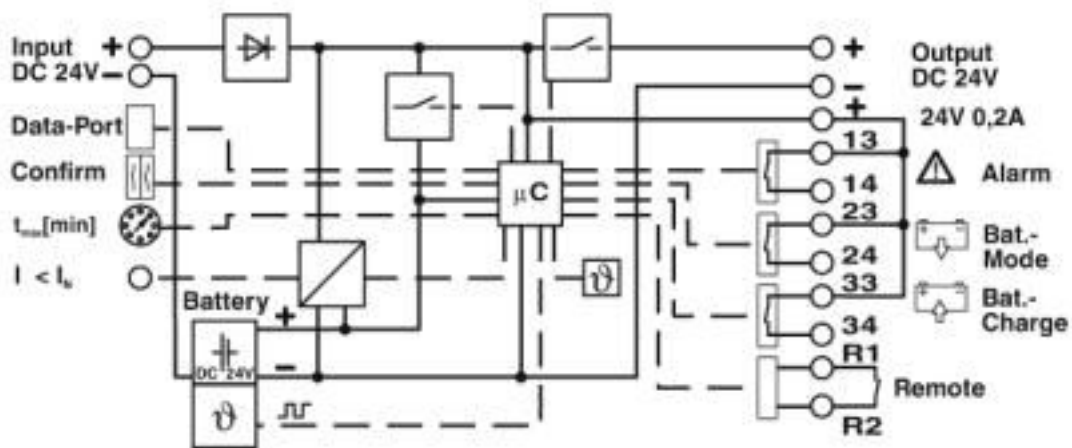
Criterion B	Temporary impairment to operational behavior that is corrected by the device itself.
-------------	--

Environmental Product Compliance

REACH SVHC	Lead 7439-92-1
China RoHS	Environmentally Friendly Use Period = 3
	For details about hazardous substances go to tab "Downloads", Category "Manufacturer's declaration"

Drawings

Block diagram



Classifications

eCl@ss

eCl@ss 10.0.1	27040705
eCl@ss 4.0	27040600
eCl@ss 4.1	27040600
eCl@ss 5.0	27040600
eCl@ss 5.1	27040600
eCl@ss 6.0	27040600
eCl@ss 7.0	27040603
eCl@ss 8.0	27040603
eCl@ss 9.0	27040705

ETIM

ETIM 3.0	EC001039
ETIM 4.0	EC000382

Uninterruptible power supply - QUINT-UPS/ 24DC/ 24DC/10/3.4AH - 2320267

Classifications

ETIM

ETIM 5.0	EC000382
ETIM 6.0	EC000382
ETIM 7.0	EC000382

UNSPSC

UNSPSC 6.01	30211510
UNSPSC 7.0901	39121011
UNSPSC 11	39121011
UNSPSC 12.01	39121011
UNSPSC 13.2	39121011
UNSPSC 18.0	39121011
UNSPSC 19.0	39121011
UNSPSC 20.0	39121011
UNSPSC 21.0	39121011

Approvals

Approvals

Approvals

UL Listed / UL Recognized / cUL Recognized / cUL Listed / EAC / cULus Recognized / cULus Listed

Ex Approvals

UL Listed / cUL Listed / cULus Listed

Approval details

UL Listed		http://database.ul.com/cgi-bin/XYV/template/LISEXT/1FRAME/index.htm	FILE E 123528
-----------	--	---	---------------

UL Recognized		http://database.ul.com/cgi-bin/XYV/template/LISEXT/1FRAME/index.htm	FILE E 211944
---------------	--	---	---------------

cUL Recognized		http://database.ul.com/cgi-bin/XYV/template/LISEXT/1FRAME/index.htm	FILE E 211944
----------------	--	---	---------------

Uninterruptible power supply - QUINT-UPS/ 24DC/ 24DC/10/3.4AH - 2320267

Approvals

cUL Listed		http://database.ul.com/cgi-bin/XYV/template/LISEXT/1FRAME/index.htm	FILE E 123528
------------	--	---	---------------

EAC		EAC-Zulassung
-----	--	---------------

cULus Recognized	
------------------	--

cULus Listed	
--------------	--

Accessories

Accessories

Assembly adapter

Assembly adapters - QUINT-PS-ADAPTERS7/1 - 2938196



Assembly adapter for QUINT-PS... power supply on S7-300 rail

Assembly adapters - UTA 107/30 - 2320089



Universal DIN rail adapter

Assembly adapters - LM-S-UWA - 2907466



Universal wall adapter for the easy and professional mounting of the LM-S evaluation unit directly on the wall/on a mounting plate.

Uninterruptible power supply - QUINT-UPS/ 24DC/ 24DC/10/3.4AH - 2320267

Accessories

Battery unit

Uninterruptible power supply replacement battery - UPS-BAT-KIT-VRLA 2X12V/3,4AH - 2908233



Replacement battery for UPS-BAT/VRLA... energy storage

Data cable preassembled

Data cable - IFS-USB-DATACABLE - 2320500



Used for communicating between industrial PCs and Phoenix Contact devices with the 12-pos. IFS data port, such as QUINT UPS or TRIO UPS.

Data cable - IFS-RS232-DATACABLE - 2320490



Data cable for communication between devices with a D-SUB 9 RS-232 connection and Phoenix Contact devices with the 12-pos. IFS data port such as QUINT UPS-IQ or TRIO UPS.

Data cable - IFS-MINI-DIN-DATACABLE - 2320487



Data cable for communication, e.g., between Phoenix Contact type ILC 1xx Inline controllers and Phoenix Contact devices with the 12-pos. IFS data port, such as QUINT UPS-IQ UPS or TRIO UPS

Data cable - IFS-OPEN-END-DATACABLE - 2320450



Data cable with open cable ends for communication, e.g., between a Phoenix Contact Inline communication terminal (IB IL RS UNI-PAC, 2700893) and Phoenix Contact devices with the 12-pos. IFS data port, such as QUINT UPS-IQ or TRIO UPS

Uninterruptible power supply - QUINT-UPS/ 24DC/ 24DC/10/3.4AH - 2320267

Accessories

Fuse

Fuse - FUSE 15A/32V FKS ATO - 2908361



Fuse, nominal current: 15 A, length: 19 mm, width: 5 mm, height: 13 mm

Memory block

Memory block - IFS-CONFSTICK-L - 2901103



Multi-functional memory block with handle for the INTERFACE system; for easy storage and back up of the configuration.

Phoenix Contact 2020 © - all rights reserved
<http://www.phoenixcontact.com>

PHOENIX CONTACT GmbH & Co. KG
Flachsmarktstr. 8
32825 Blomberg
Germany
Tel. +49 5235 300
Fax +49 5235 3 41200
<http://www.phoenixcontact.com>

X-ON Electronics

Largest Supplier of Electrical and Electronic Components

Click to view similar products for [UPS - Uninterruptible Power Supplies](#) category:

Click to view products by [Phoenix Contact](#) manufacturer:

Other Similar products are found below :

[SMART-1400-RM](#) [UPS1500ITSIT](#) [UPS12438](#) [UPS12434](#) [UPS25512](#) [UPS1024746](#) [UPS23916EBM](#) [UPSITSNMP](#) [TRIO-UPS-2G/1AC/24DC/5](#) [TRIO-UPS-2G/1AC/24DC/10](#) [QUINT4-UPS/24DC/24DC/20/EI](#) [QUINT4-UPS/24DC/24DC/5/USB](#) [QUINT4-UPS/24DC/24DC/20/US](#) [SLNSPSPMBRK](#) [MINI-BAT/12DC/2.6AH](#) [TSPC 240-124UPS](#) [AKKUTEC2440](#) [DR-UPS40](#) [UPS003LSM](#)
[1081430](#) [1082548](#) [1094596](#) [2320212](#) [2320225](#) [2320238](#) [2320241](#) [2320254](#) [2320267](#) [2320270](#) [2320377](#) [2320380](#) [2320393](#) [2320461](#)
[2866213](#) [2866226](#) [2866239](#) [2866242](#) [2866349](#) [2866352](#) [2866365](#) [2866417](#) [2866569](#) [2866572](#) [2866598](#) [2866611](#) [2866666](#) [2868703](#)
[2905907](#) [2905908](#) [2905909](#)