

## Energy storage - UPS-BAT/VRLA/24DC/7.2AH - 2320319

Please be informed that the data shown in this PDF Document is generated from our Online Catalog. Please find the complete data in the user's documentation. Our General Terms of Use for Downloads are valid (<http://phoenixcontact.com/download>)



Energy storage device, lead AGM, VRLA technology, 24 V DC, 7.2 Ah, tool-free battery replacement, automatic detection, and communication with QUINT UPS-IQ

### Product Description


For continuous monitoring and intelligent management, there is constant communication with the QUINT UPS. Thanks to automatic detection of the energy storage, and tool-free switching during operation, quick installation is possible. The QUINT UPS with IQ technology energy storage leaves the warehouse fully charged.

### Your advantages

- ✓ Maximum buffer times
- ✓ Lead AGM (Absorbent Glass Mat) technology



### Key Commercial Data

|              |   |
|--------------|---|
| Packing unit | 1 pc  |
| GTIN         | <br>4 046356 553353 |
| GTIN         | 4046356553353   |

### Technical data

#### Dimensions

|        |        |
|--------|--------|
| Width  | 135 mm |
| Height | 202 mm |
| Depth  | 110 mm |

#### Ambient conditions

|  |                  |
|--|------------------|
| Degree of protection                           | IP20             |
| Ambient temperature (operation)                | 0 °C ... 40 °C   |
| Ambient temperature (storage/transport)        | -15 °C ... 40 °C |
| Max. permissible relative humidity (operation) | ≤ 95 %           |
| Degree of pollution                            | 2                |

#### Input data

# Energy storage - UPS-BAT/VRLA/24DC/7.2AH - 2320319

## Technical data

### Input data

|                       |                |
|-----------------------|----------------|
| Nominal input voltage | 24 V DC        |
| Buffer period         | 10 min. (20 A) |
|                       | 3 min. (40 A)  |

### Output data

|                          |         |
|--------------------------|---------|
| Nominal output voltage   | 24 V DC |
| Output current $I_{max}$ | 50 A    |
| Connection in parallel   | 5       |
| Connection in series     | No      |
| Output fuse              | 2x 25 A |

### General

|                      |   |
|----------------------|---|
| IQ technology        | Yes   |
| Disposal             | Used batteries must not be thrown away with household waste, they should instead be disposed of in accordance with applicable national regulations. They can also be returned to Phoenix Contact or the manufacturer. |
| Net weight           | 5.9 kg  |
| Memory medium        | Lead rechargeable battery module  |
| Degree of protection | IP20  |
| Protection class     | III   |
| Mounting position    | horizontal DIN rail NS 35, EN 60715   |

### Standards

|  |                            |
|--|----------------------------|
| Standard - Electrical safety   | EN 60950-1/VDE 0805 (SELV) |
| Standard – Electronic equipment for use in electrical power installations and their assembly into electrical power installations | EN 50178/VDE 0160 (PELV)   |

### Conformance/approvals

|                       |  |
|-----------------------|--|
| UL approvals          | UL/C-UL listed UL 508  |
|                       | UL/C-UL Recognized UL 60950-1  |
|                       | UL ANSI/ISA-12.12.01 Class I, Division 2, Groups A, B, C, D (Hazardous Location) |
| Shipbuilding approval | DNV GL (EMC A), ABS  |
| VdS approval          | G 193046   |

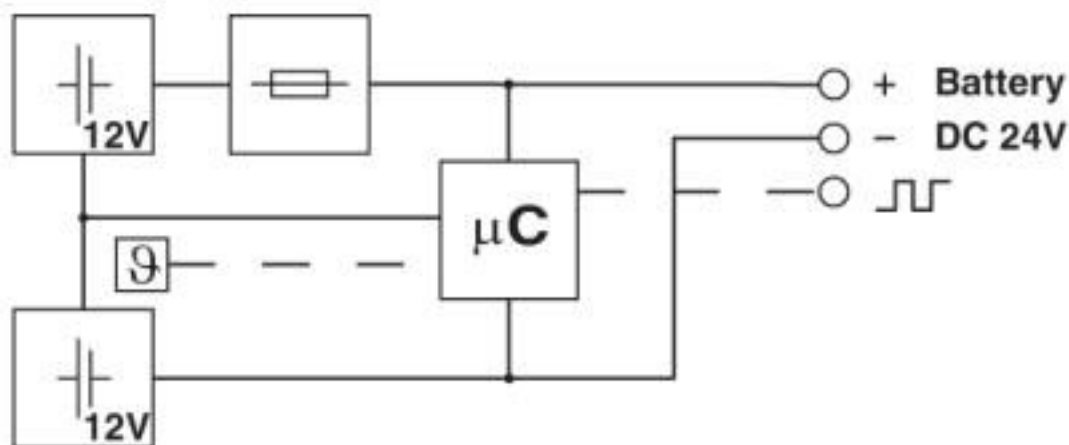
### Environmental Product Compliance

|            |   |
|------------|---|
| REACH SVHC | Lead 7439-92-1  |
| China RoHS | Environmentally Friendly Use Period = 3   |
|            | For details about hazardous substances go to tab "Downloads", Category "Manufacturer's declaration" |

## Drawings

# Energy storage - UPS-BAT/VRLA/24DC/7.2AH - 2320319

Block diagram



## Classifications

### eCl@ss

|               |          |
|---------------|----------|
| eCl@ss 10.0.1 | 27050403 |
| eCl@ss 4.0    | 27040600 |
| eCl@ss 4.1    | 27040600 |
| eCl@ss 5.0    | 27040600 |
| eCl@ss 5.1    | 27040600 |
| eCl@ss 6.0    | 27040600 |
| eCl@ss 7.0    | 27050403 |
| eCl@ss 8.0    | 27050403 |
| eCl@ss 9.0    | 27050403 |

### ETIM

|          |          |
|----------|----------|
| ETIM 2.0 | EC000382 |
| ETIM 3.0 | EC000382 |
| ETIM 4.0 | EC000357 |
| ETIM 5.0 | EC000357 |
| ETIM 6.0 | EC000357 |
| ETIM 7.0 | EC000357 |

### UNSPSC

|               |          |
|---------------|----------|
| UNSPSC 6.01   | 30211510 |
| UNSPSC 7.0901 | 39121011 |
| UNSPSC 11     | 39121011 |
| UNSPSC 12.01  | 39121011 |
| UNSPSC 13.2   | 26111715 |
| UNSPSC 18.0   | 26111715 |
| UNSPSC 19.0   | 26111715 |
| UNSPSC 20.0   | 26111715 |

# Energy storage - UPS-BAT/VRLA/24DC/7.2AH - 2320319

## Classifications

### UNSPSC

|             |          |
|-------------|----------|
| UNSPSC 21.0 | 26111715 |
|-------------|----------|

## Approvals

### Approvals

#### Approvals

DNV GL / PRS / BV / LR / ABS / UL Listed / UL Recognized / cUL Recognized / cUL Listed / EAC / cULus Recognized / cULus Listed

#### Ex Approvals

UL Listed / cUL Listed / cULus Listed

## Approval details

|                            |       |   |            |
|----------------------------|-------|---|------------|
| DNV GL                     |       | <a href="https://approvalfinder.dnvgl.com/">https://approvalfinder.dnvgl.com/</a> | TAA0000265 |
| Nominal voltage UN         | 500 V |   |            |
| Nominal current IN         | 41 A  |   |            |
| mm <sup>2</sup> /AWG/kcmil | 6     |   |            |

|     |  |   |                   |
|-----|--|---|-------------------|
| PRS |  | <a href="http://www.prs.pl/">http://www.prs.pl/</a> | TE/2103/880590/16 |
|-----|--|---|-------------------|

|    |  |   |             |
|----|--|---|-------------|
| BV |  | <a href="http://www.veristar.com/portal/veristarinfo/generalinfo/approved/approvedProducts/equipmentAndMaterials">http://www.veristar.com/portal/veristarinfo/generalinfo/approved/approvedProducts/equipmentAndMaterials</a> | 41516/A0 BV |
|----|--|---|-------------|

|    |  |   |          |
|----|--|---|----------|
| LR |  | <a href="http://www.lr.org/en">http://www.lr.org/en</a> | 17/20032 |
|----|--|---|----------|

|     |   |  |                  |
|-----|---|--|------------------|
| ABS | <a href="http://www.eagle.org/eagleExternalPortalWEB/">http://www.eagle.org/eagleExternalPortalWEB/</a> |  | 15-GD1438179-PDA |
|-----|---|--|------------------|

|           |  |   |               |
|-----------|--|---|---------------|
| UL Listed |  | <a href="http://database.ul.com/cgi-bin/XYV/template/LISEXT/1FRAME/index.htm">http://database.ul.com/cgi-bin/XYV/template/LISEXT/1FRAME/index.htm</a> | FILE E 123528 |
|-----------|--|---|---------------|

# Energy storage - UPS-BAT/VRLA/24DC/7.2AH - 2320319

## Approvals

|               |  |   |               |
|---------------|--|---|---------------|
| UL Recognized |  | <a href="http://database.ul.com/cgi-bin/XYV/template/LISEXT/1FRAME/index.htm">http://database.ul.com/cgi-bin/XYV/template/LISEXT/1FRAME/index.htm</a> | FILE E 211944 |
|---------------|--|---|---------------|

|                |  |   |               |
|----------------|--|---|---------------|
| cUL Recognized |  | <a href="http://database.ul.com/cgi-bin/XYV/template/LISEXT/1FRAME/index.htm">http://database.ul.com/cgi-bin/XYV/template/LISEXT/1FRAME/index.htm</a> | FILE E 211944 |
|----------------|--|---|---------------|

|            |  |   |               |
|------------|--|---|---------------|
| cUL Listed |  | <a href="http://database.ul.com/cgi-bin/XYV/template/LISEXT/1FRAME/index.htm">http://database.ul.com/cgi-bin/XYV/template/LISEXT/1FRAME/index.htm</a> | FILE E 123528 |
|------------|--|---|---------------|

|     |  |  |                |
|-----|--|--|----------------|
| EAC |  |  | DE.A*81.*10695 |
|-----|--|--|----------------|

|                  |  |  |  |
|------------------|--|--|--|
| cULus Recognized |  |  |  |
|------------------|--|--|--|

|              |  |  |  |
|--------------|--|--|--|
| cULus Listed |  |  |  |
|--------------|--|--|--|

## Accessories

### Accessories

#### Assembly adapter

Assembly adapters - QUINT-ADAPTER/4 - 2866857

Assembly adapter for QUINT-BAT/24DC... on 35mm rail



---

## Battery unit

## Energy storage - UPS-BAT/VRLA/24DC/7.2AH - 2320319

### Accessories

Uninterruptible power supply replacement battery - UPS-BAT-KIT-VRLA 2X12V/7,2AH - 2908234



Replacement battery for UPS-BAT/VRLA... energy storage

---

### Fuse

Fuse - SI FORM C 25 A DIN 72581 - 0913757



Flat-type plug-in fuse, type C, color code: white, nominal current: 25 A

---

Fuse - FUSE 25A/32V ATOF - 2908366



Fuse, nominal current: 25 A, length: 19.1 mm, width: 5 mm, height: 18.8 mm

---

Phoenix Contact 2020 © - all rights reserved  
<http://www.phoenixcontact.com>

PHOENIX CONTACT GmbH & Co. KG  
Flachsmarktstr. 8  
32825 Blomberg  
Germany  
Tel. +49 5235 300  
Fax +49 5235 3 41200  
<http://www.phoenixcontact.com>

## **X-ON Electronics**

Largest Supplier of Electrical and Electronic Components

*Click to view similar products for [Sealed Lead Acid Battery](#) category:*

*Click to view products by [Phoenix Contact](#) manufacturer:*

Other Similar products are found below :

[035021](#)