

Front adapters - VIP-PA-FLK50/4X14/ 1,0M/S7 - 2322566

Please be informed that the data shown in this PDF Document is generated from our Online Catalog. Please find the complete data in the user's documentation. Our General Terms of Use for Downloads are valid (<http://phoenixcontact.com/download>)




VIP VARIOFACE front adapter, with connected system cables for SMATIC S7-300, 4 x 8 channels can be connected, cable length: 1 m

Your advantages

- Power supply via terminal blocks with spring-cage double connection
- Can be screwed on with the I/O module
- Encapsulated socket strips on the module side

RoHS

Key Commercial Data

| | |
|--------------|---|
| Packing unit | 1 pc |
| GTIN |  4 046356 452304 |
| GTIN | 4046356452304 |

Technical data

Note

| | |
|--------------|--|
| Type of note | Notes on operation |
| Note | Analog I/O cards To avoid short-circuits, all wire bridges must be disconnected! No voltage supply may be supplied to the front adapter! |
| Type of note | Notes on operation |
| Note | Digital I/O cards Thanks to the existing wire bridge upon delivery, the input and output bytes are non-isolated. |

Ambient conditions

| | |
|---|------------------|
| Ambient temperature (operation) | -20 °C ... 50 °C |
| Ambient temperature (storage/transport) | -20 °C ... 70 °C |
| Degree of protection | IP20 |

General

| | |
|------------------------------------|---------|
| Max. permissible operating voltage | 25 V AC |
|------------------------------------|---------|

Front adapters - VIP-PA-FLK50/4X14/ 1,0M/S7 - 2322566

Technical data

General

| | |
|--------------------------|-----------------------------|
| | 60 V DC |
| Max. permissible current | 1 A (per path) |
| | 8 A (Separate power supply) |
| Mounting position | any |

Standards and Regulations

| | |
|----------------------------------|-----------------------|
| Connection in acc. with standard | CUL |
| Standards/regulations | IEC 60664 |
| | DIN EN 50178 |
| Rated insulation voltage | 63 V |
| Rated surge voltage | 0.6 kV |
| Insulation | Functional insulation |
| Pollution degree | 2 |
| Overvoltage category | II |

Connection data

| | |
|-------------------|---|
| Connection name | Control side |
| Connection method | Plug connection |
| Note | Can be plugged onto 40-pos. I/O modules |

Connection data 2

| | |
|-----------------------|----------------------|
| Connection name | Field level |
| Connection method | IDC/FLK socket strip |
| Number of connections | 4 |
| Number of positions | 14 |
| Pitch | 2.54 mm |

Connection data 3

| | |
|----------------------------------|---|
| Connection name | Supply |
| Connection method | Push-in connection |
| Stripping length | 10 mm |
| Conductor cross section solid | 0.2 mm ² ... 2.5 mm ² |
| Conductor cross section flexible | 0.2 mm ² ... 2.5 mm ² |
| Conductor cross section AWG | 24 ... 14 |

Cable

| | |
|---|----------------------|
| Conductor construction: Number of litz wires: | 7 |
| Single wire, material | Cu tin-plated |
| Single wire, cross section | 0.14 mm ² |
| External diameter | 6.4 mm |
| Length of cable | 1 m |
| Shielding | no |
| Halogen-free cable | No |

Front adapters - VIP-PA-FLK50/4X14/ 1,0M/S7 - 2322566

Technical data

Cable

| | |
|---------------------------|----------|
| Max. conductor resistance | 0.16 Ω/m |
|---------------------------|----------|

Supported controller

| | |
|---------------------|---------------------------|
| Controller | SIEMENS S7-300 / ET 200 M |
| - suitable I/O card | CPU 313C |
| | CPU 313C-2PtP |
| | CPU 313C-2DP |
| | CPU 314C-2PtP |
| | CPU 314C-2DP |
| | 6ES7 321-1BL00-0AA0 |
| | 6ES7 322-1BL00-0AA0 |
| | 6ES7 322-8BH01-0AB0 |
| | 6ES7 322-8BH10-0AB0 |
| | 6ES7 323-1BL00-0AA0 |
| | 6ES7 331-7NF00-0AB0 |
| | 6ES7 331-7NF10-0AB0 |
| | 6ES7 331-7PF01-0AB0 |
| | 6ES7 331-7PF11-0AB0 |
| | 6ES7 350-2AH01-0AE0 |
| | 6ES7 357-4AH01-0AE0 |
| | 6ES7 331-1KF02-0AB0 |

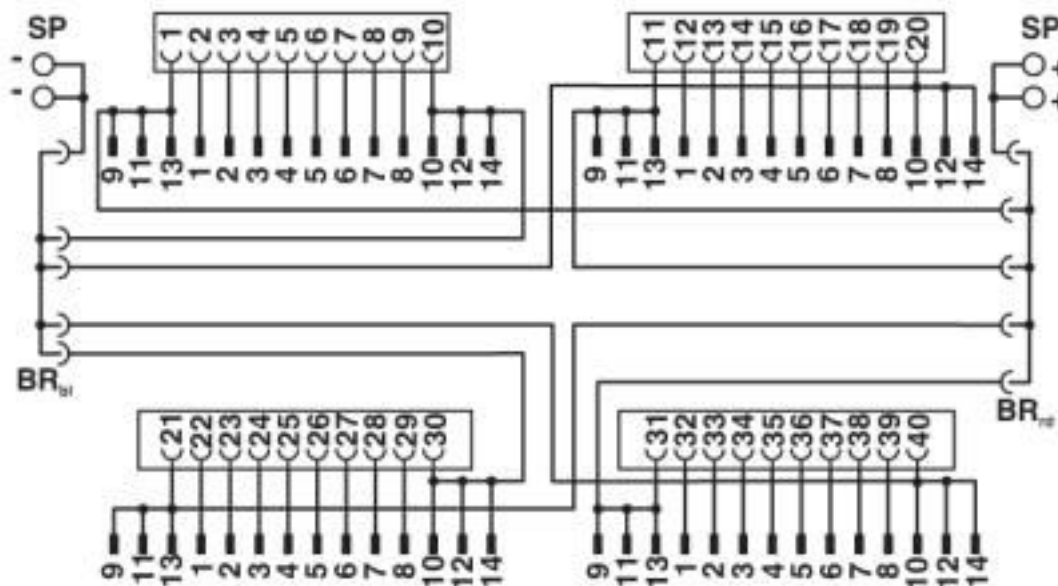
Environmental Product Compliance

| | |
|------------|---|
| REACH SVHC | Lead 7439-92-1 |
| China RoHS | Environmentally Friendly Use Period = 50 years |
| | For details about hazardous substances go to tab "Downloads", Category "Manufacturer's declaration" |

Drawings

Front adapters - VIP-PA-FLK50/4X14/ 1,0M/S7 - 2322566

Circuit diagram



Classifications

eCl@ss

| | |
|---------------|----------|
| eCl@ss 10.0.1 | 27242292 |
| eCl@ss 4.0 | 27060300 |
| eCl@ss 4.1 | 27060300 |
| eCl@ss 5.0 | 27061800 |
| eCl@ss 5.1 | 27061800 |
| eCl@ss 6.0 | 27249200 |
| eCl@ss 7.0 | 27249290 |
| eCl@ss 8.0 | 27249290 |
| eCl@ss 9.0 | 27242292 |

ETIM

| | |
|----------|----------|
| ETIM 4.0 | EC002584 |
| ETIM 5.0 | EC002584 |
| ETIM 6.0 | EC002584 |
| ETIM 7.0 | EC002584 |

UNSPSC

| | |
|---------------|----------|
| UNSPSC 6.01 | 26121620 |
| UNSPSC 7.0901 | 26121620 |
| UNSPSC 11 | 26121620 |
| UNSPSC 12.01 | 26121620 |
| UNSPSC 13.2 | 32151601 |
| UNSPSC 18.0 | 32151601 |

Front adapters - VIP-PA-FLK50/4X14/ 1,0M/S7 - 2322566

Classifications

UNSPSC

| | |
|-------------|----------|
| UNSPSC 19.0 | 32151601 |
| UNSPSC 20.0 | 32151601 |
| UNSPSC 21.0 | 32151601 |

Approvals


Approvals


Approvals


UL Recognized / cUL Recognized / EAC / cULus Recognized


Ex Approvals

Approval details

| | | | |
|--------------------|---|---|---------------|
| UL Recognized |  | http://database.ul.com/cgi-bin/XYV/template/LISEXT/1FRAME/index.htm | FILE E 238705 |
| Nominal voltage UN | | 50 V | |
| Nominal current IN | | 1 A | |

| | | | |
|--------------------|---|---|---------------|
| cUL Recognized |  | http://database.ul.com/cgi-bin/XYV/template/LISEXT/1FRAME/index.htm | FILE E 238705 |
| Nominal voltage UN | | 50 V | |
| Nominal current IN | | 1 A | |

| | | |
|-----|---|-------------------------|
| EAC |  | RU C- DE.A*30.B00767 |
|-----|---|-------------------------|

| | |
|------------------|---|
| cULus Recognized |  |
|------------------|---|

Accessories

Accessories

Controller board

Front adapters - VIP-PA-FLK50/4X14/ 1,0M/S7 - 2322566

Accessories

Passive module - VIP-2/SC/2FLK14 (1-20) /S7 - 2315230



VARIOFACE interface module for Siemens SIMATIC® S7-300, for max. 16 channels with SIMATIC®-specific labeling (1 - 20), with screw connection, module width: 80.6 mm

Passive module - VIP-2/PT/2FLK14 (1-20) /S7 - 2903802



VARIOFACE interface module for Siemens SIMATIC® S7-300, for max. 16 channels with SIMATIC®-specific labeling (1 - 20), with push-in connection, module width: 82.5 mm

Passive module - FLKM-2FLK14/KDS3-MT/PPA/S7 - 2295062



VARIOFACE interface module for Siemens SIMATIC® S7-300, for max. 16 channels, with SIMATIC®-specific labeling (1 - 20), knife disconnect terminal block and test connection, module width: 113 mm

System connection - PLC-V8/FLK14/OUT - 2295554



V8 adapter for 8 x PLC-INTERFACE (6.2 mm), controller: PLC system cabling of output cards, connection 1: Screw connection 1x, connection 2: IDC/FLK pin strip 1x 14-position, connection 3: Plug connection (Can be snapped onto 8x PLC-INTERFACE terminals), number of channels: 8, control logic: positive switching

System connection - PLC-V8/FLK14/IN - 2296553



V8 adapter for 8 x PLC-INTERFACE (6.2 mm), controller: PLC system cabling of input cards, connection 1: Screw connection 1x, connection 2: IDC/FLK pin strip 1x 14-position, connection 3: Plug connection (Can be snapped onto 8x PLC-INTERFACE terminals), number of channels: 8, control logic: positive switching

Front adapters - VIP-PA-FLK50/4X14/ 1,0M/S7 - 2322566

Accessories

System connection - PLC-V8L/FLK14/OUT - 2299660



V8 adapter for 8 x PLC-INTERFACE (14 mm), controller: PLC system cabling of output cards, connection 1: Screw connection 1x, connection 2: IDC/FLK pin strip 1x 14-position, connection 3: Plug connection (Can be snapped onto 8x PLC-INTERFACE terminals), number of channels: 8, control logic: positive switching

Passive module - VIP-3/SC/FLK14/8IM/PLC - 2322278



VARIOFACE sensor module, for connecting 8 pnp sensors

Passive module - VIP-3/PT/FLK14/8IM/PLC - 2904282



VARIOFACE sensor module, with push-in connection, for connecting 8 pnp sensors

Marker carrier cable

Cable marker carrier - KME - 0807083



Cable marker carrier, white, unlabeled, mounting type: Assembly with cable binders, cable diameter: > 5 mm, lettering field size: 20 mm x 8 mm

Phoenix Contact 2020 © - all rights reserved
<http://www.phoenixcontact.com>

PHOENIX CONTACT GmbH & Co. KG
Flachsmarktstr. 8
32825 Blomberg
Germany
Tel. +49 5235 300
Fax +49 5235 3 41200
<http://www.phoenixcontact.com>

X-ON Electronics

Largest Supplier of Electrical and Electronic Components

Click to view similar products for [Terminal Block Tools & Accessories](#) category:

Click to view products by [Phoenix Contact](#) manufacturer:

Other Similar products are found below :

[00171430102](#) [00171420102](#) [600HL](#) [600RJ-07](#) [600RJ-11](#) [600RJ-14](#) [600RJS-10](#) [600RJS-12](#) [600RJS-15](#) [600RJS-21](#) [601RJ-09](#) [602SP](#) [602Z](#)
[604J](#) [CSTSPC1-2](#) [7B941-7](#) [88943-2100](#) [QC102](#) [1437403-6](#) [1437403-9](#) [1437403-8](#) [1453128-1](#) [147832-1](#) [EC0037-000](#) [MT2/H--](#) [MT6/H-N](#)
[MT6/V-GRND](#) [MT8/H-51-60](#) [BC2-12](#) [BCC-1-8/10](#) [EP2.5/4UN/BG](#) [1707755](#) [1735590](#) [1755480](#) [1789281](#) [1840227](#) [1840230](#) [2-1437402-1](#)
[JA2-03](#) [JB1-03/J](#) [JB2-04](#) [JB2-05](#) [JB2-07](#) [JB2-09/J](#) [PARALLELJUMPERLINK](#) [JS601](#) [2204082](#) [2302463](#) [2305949](#) [8PCV-BUSHING](#)