

# Connection element - PSD-S CE-TM SPRING - 2700092


Please be informed that the data shown in this PDF Document is generated from our Online Catalog. Please find the complete data in the user's documentation. Our General Terms of Use for Downloads are valid (<http://phoenixcontact.com/download>)



Connection element with spring-cage terminal blocks for tube mounting

RoHS

## Key Commercial Data

Packing unit	1 pc
GTIN	 4 046356 490153
GTIN	4046356490153

## Technical data

### Dimensions

Diameter	69 mm
Height	27 mm

### Ambient conditions

Ambient temperature (operation)	-30 °C ... 50 °C
Degree of protection	IP65, when installed

### General

Material	PA-GF
Color	black
Weight	77 g
Mounting position	any
Mounting type	Tube mounting
Assembly instructions	Rubber seal pre-installed for each element
Number of mountable signal elements	max. 5
Scope of delivery	End cover and seal

### Electrical data

Nominal input voltage range	12 V AC/DC ... 240 V AC/DC
-----------------------------	----------------------------

## Connection element - PSD-S CE-TM SPRING - 2700092

### Technical data

#### Connection data

Designation	without ferrule
Connection method	Spring-cage connection
Conductor cross section flexible min.	0.5 mm <sup>2</sup>
Conductor cross section flexible max.	1.5 mm <sup>2</sup>
Min. AWG conductor cross section, flexible	20
Max. AWG conductor cross section, flexible	15
Designation	With ferrule
Connection method	Spring-cage connection
Conductor cross section flexible min.	0.25 mm <sup>2</sup>
Conductor cross section flexible max.	1.5 mm <sup>2</sup>
Min. AWG conductor cross section, flexible	23
Max. AWG conductor cross section, flexible	15
Designation	solid
Connection method	Spring-cage connection
Conductor cross section solid min.	0.5 mm <sup>2</sup>
Conductor cross section solid max.	1.5 mm <sup>2</sup>
Single-wire/terminal point, solid AWG min.	20
Single-wire/terminal point, solid AWG max.	15

#### Approvals / conformities

Electromagnetic compatibility	Conformance with EMC directive 2004/108/EC and for low-voltage directive 2006/95/EC
-------------------------------	---

#### Standards and Regulations

Electromagnetic compatibility	Conformance with EMC directive 2004/108/EC and for low-voltage directive 2006/95/EC
-------------------------------	---

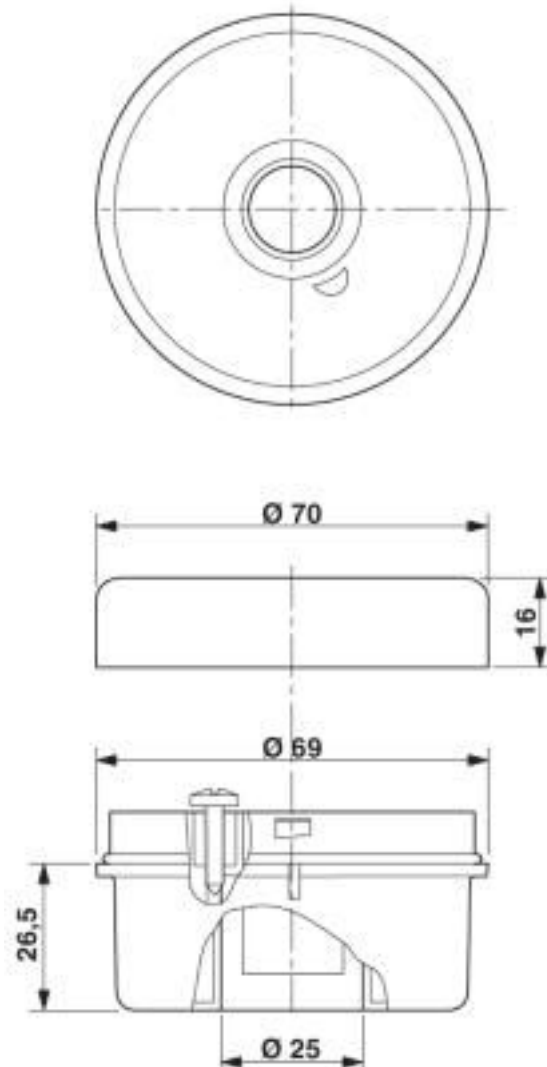
#### Environmental Product Compliance

China RoHS	Environmentally friendly use period: unlimited = EFUP-e
	No hazardous substances above threshold values

### Drawings

## Connection element - PSD-S CE-TM SPRING - 2700092

Dimensional drawing



### Classifications

eCl@ss

eCl@ss 10.0.1	27371232
eCl@ss 4.0	27143200
eCl@ss 4.1	27143200
eCl@ss 5.0	27371200
eCl@ss 5.1	27371200
eCl@ss 6.0	27371200
eCl@ss 7.0	27371232
eCl@ss 8.0	27371232
eCl@ss 9.0	27371232

# Connection element - PSD-S CE-TM SPRING - 2700092

## Classifications

### ETIM

ETIM 3.0	EC001152
ETIM 4.0	EC001152
ETIM 5.0	EC001152
ETIM 6.0	EC001152
ETIM 7.0	EC001152

### UNSPSC

UNSPSC 6.01	43172015
UNSPSC 7.0901	43201404
UNSPSC 11	39121311
UNSPSC 12.01	39121311
UNSPSC 13.2	39121311
UNSPSC 18.0	46171604
UNSPSC 19.0	46171604
UNSPSC 20.0	46171604
UNSPSC 21.0	46171604

## Approvals

### Approvals

#### Approvals

UL Listed / cUL Listed / EAC / EAC / cULus Listed

#### Ex Approvals

### Approval details

UL Listed		<a href="http://database.ul.com/cgi-bin/XYV/template/LISEXT/1FRAME/index.htm">http://database.ul.com/cgi-bin/XYV/template/LISEXT/1FRAME/index.htm</a>	FILE E 123528
-----------	--	---	---------------

cUL Listed		<a href="http://database.ul.com/cgi-bin/XYV/template/LISEXT/1FRAME/index.htm">http://database.ul.com/cgi-bin/XYV/template/LISEXT/1FRAME/index.htm</a>	FILE E 123528
------------	--	---	---------------

EAC		EAC-Zulassung
-----	--	---------------

## Connection element - PSD-S CE-TM SPRING - 2700092

### Approvals

EAC		RU *- DE.A*30.B.00237
-----	--	--------------------------

cULus Listed	
--------------	--

### Accessories

#### Accessories

#### Assembly element

Adapter - PSD-S ME A-SH M18 - 2700150



Adapter for single-hole mounting

Mounting material - PSD-S ME BT 110 - 2700156



Foot with integrated tube, 110 mm high, black

Mounting material - PSD-S ME T-M 250 - 2700157



Tube, 250 mm high, Ø 25 mm

Mounting material - PSD-S ME T-M 400 - 2700158



Tube, 400 mm high, Ø 25 mm

## Connection element - PSD-S CE-TM SPRING - 2700092

### Accessories

Mounting material - PSD-S ME T-M 1000 - 2700154



Tube, 1000 mm long, Ø 25 mm

---

Mounting material - PSD-S ME B-M - 2700164



Foot for tube Ø 25 mm, aluminium, black

---

Mounting material - PSD-S ME B-P - 2700163



Foot for tube Ø 25 mm, plastic, black

---

Mounting material - PSD-S ME T-P 45 - 2700152



Tube, 45 mm long, Ø 25 mm, for direct tube mounting on the foldaway base

---

Mounting material - PSD-S ME FB - 2700151



Foldaway base, pitch 7.5°, black

---

## Connection element - PSD-S CE-TM SPRING - 2700092

### Accessories

Mounting material - PSD-S ME OB - 2700153



Outlet box with lateral cable entry for floor and base mounting

---

Mounting material - PSD-S ME OB/MB - 2700155



Outlet box with magnetic base for base mounting, black

---

Mounting brackets - PSD-S ME BR-BM/HCR - 2700149



Angle for base mounting, concealed cable routing, black

---

Mounting brackets - PSD-S ME BR-BM - 2700143



Angle for base mounting, black

---

Phoenix Contact 2020 © - all rights reserved  
<http://www.phoenixcontact.com>

PHOENIX CONTACT GmbH & Co. KG  
Flachsmarktstr. 8  
32825 Blomberg  
Germany  
Tel. +49 5235 300  
Fax +49 5235 3 41200  
<http://www.phoenixcontact.com>

## X-ON Electronics

Largest Supplier of Electrical and Electronic Components

*Click to view similar products for [Terminal Block Tools & Accessories](#) category:*

*Click to view products by [Phoenix Contact](#) manufacturer:*

Other Similar products are found below :

[00171430102](#) [00171420102](#) [600HL](#) [600RJ-07](#) [600RJ-11](#) [600RJ-14](#) [600RJS-10](#) [600RJS-12](#) [600RJS-15](#) [600RJS-21](#) [601RJ-09](#) [602SP](#) [602Z](#)  
[604J](#) [CSTSPC1-2](#) [7B941-7](#) [88943-2100](#) [QC102](#) [1437403-6](#) [1437403-9](#) [1437403-8](#) [1453128-1](#) [147832-1](#) [EC0037-000](#) [MT2/H--](#) [MT6/H-N](#)  
[MT6/V-GRND](#) [MT8/H-51-60](#) [BC2-12](#) [BCC-1-8/10](#) [EP2.5/4UN/BG](#) [1707755](#) [1735590](#) [1755480](#) [1789281](#) [1840227](#) [1840230](#) [2-1437402-1](#)  
[JA2-03](#) [JB1-03/J](#) [JB2-04](#) [JB2-05](#) [JB2-07](#) [JB2-09/J](#) [PARALLELJUMPERLINK](#) [JS601](#) [2204082](#) [2302463](#) [2305949](#) [8PCV-BUSHING](#)