

Mounting brackets - PSD-S ME BR-BM - 2700143


Please be informed that the data shown in this PDF Document is generated from our Online Catalog. Please find the complete data in the user's documentation. Our General Terms of Use for Downloads are valid (<http://phoenixcontact.com/download>)



Angle for base mounting, black



Key Commercial Data

Packing unit	1 pc
GTIN	 4 046356 491358
GTIN	4046356491358

Technical data

Dimensions

Diameter	70 mm
Height	57 mm

Ambient conditions

Ambient temperature (operation)	-30 °C ... 50 °C
---------------------------------	------------------

General

Material	PA A3 x 2G5
Color	black
Weight	60 g
Mounting position	any
Mounting type	Base mounting Tube mounting
Scope of delivery	4 x plastic screw 1 x cable threaded joint 1 x nut

Environmental Product Compliance

China RoHS	Environmentally friendly use period: unlimited = EFUP-e
------------	---

Mounting brackets - PSD-S ME BR-BM - 2700143

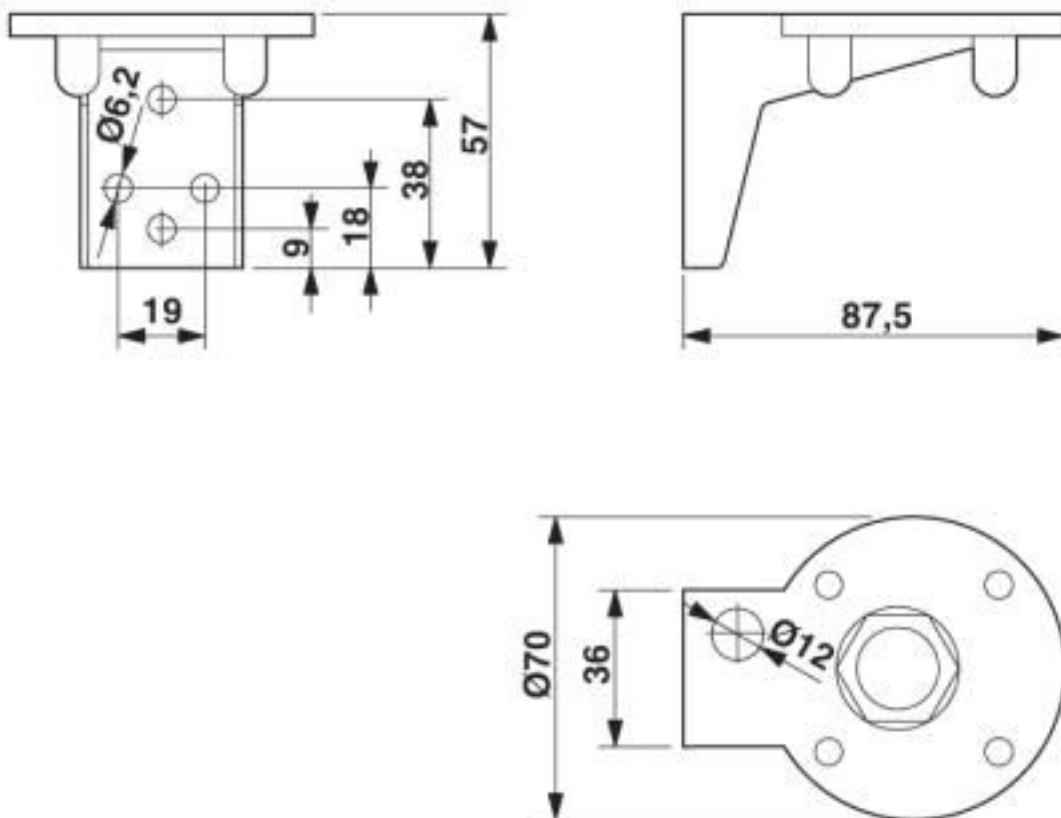
Technical data

Environmental Product Compliance

	No hazardous substances above threshold values
--	--

Drawings

Dimensional drawing



Classifications

eCl@ss

eCl@ss 10.0.1	27371233
eCl@ss 4.0	27143200
eCl@ss 4.1	27143200
eCl@ss 5.0	27371200
eCl@ss 5.1	27371200
eCl@ss 6.0	27371200
eCl@ss 7.0	27371233
eCl@ss 8.0	27371233
eCl@ss 9.0	27371233

Mounting brackets - PSD-S ME BR-BM - 2700143

Classifications

ETIM

ETIM 3.0	EC000326
ETIM 4.0	EC002622
ETIM 5.0	EC001153
ETIM 6.0	EC001153
ETIM 7.0	EC001153

UNSPSC

UNSPSC 6.01	43172015
UNSPSC 7.0901	43201404
UNSPSC 11	39121311
UNSPSC 12.01	39121311
UNSPSC 13.2	39121311
UNSPSC 18.0	46171604
UNSPSC 19.0	46171604
UNSPSC 20.0	46171604
UNSPSC 21.0	46171604

Approvals

Approvals

Approvals

EAC / EAC

Ex Approvals

Approval details

EAC		EAC-Zulassung
-----	--	---------------

EAC		RU *- DE.A*30.B.00237
-----	--	--------------------------

Phoenix Contact 2020 © - all rights reserved
<http://www.phoenixcontact.com>

PHOENIX CONTACT GmbH & Co. KG
Flachsmarktstr. 8
32825 Blomberg
Germany
Tel. +49 5235 300
Fax +49 5235 3 41200
<http://www.phoenixcontact.com>

X-ON Electronics

Largest Supplier of Electrical and Electronic Components

Click to view similar products for [Circular Metric Connectors](#) category:

Click to view products by [Phoenix Contact](#) manufacturer:

Other Similar products are found below :

[600X518037X](#) [6STD15PCR99B70A](#) [8R4000A16M020](#) [8R5000A16M005](#) [1200910002](#) [1203580030](#) [1200910008](#) [1200910011](#) [1300140094](#)
[130203-0054](#) [1300140026](#) [1300150099](#) [RF-12S1N8A90DU](#) [1-3637-600-5205](#) [1612618](#) [21036836414](#) [8R4006A16M010](#) [1604232](#)
[1R3006A20M005](#) [RF-12P1N8A90DU](#) [41-40011](#) [42-00006](#) [42-01015](#) [4-22279-4](#) [4-22281-1](#) [4-22284-9](#) [43-00113](#) [43-01088](#) [43-01203](#) [41-](#)
[40013](#) [42-00008](#) [43-00343](#) [43-01026](#) [43-01162](#) [43-01173](#) [43-10000](#) [XS3P-M421-2](#) [600X518050X](#) [SACC-DSI-FS-5P-PG9-L180 SC](#)
[8R5006A16M020](#) [8R5006A16M005](#) [8R4000A16M010](#) [6-22279-3](#) [1605332](#) [N03FA03144](#) [1300140077](#) [43-16213](#) [43-01338](#) [XS2RD4265](#)
[XS2R-D426-1](#)