

# Cable gland - PSD-S AS CABLE GLAND M16X1,5 - 2700145


Please be informed that the data shown in this PDF Document is generated from our Online Catalog. Please find the complete data in the user's documentation. Our General Terms of Use for Downloads are valid (<http://phoenixcontact.com/download>)



M16 cable threaded joint x 1.5 mm, black



## Key Commercial Data

|              |   |
|--------------|---|
| Packing unit | 1 pc  |
| GTIN         | <br>4 046356 491372 |
| GTIN         | 4046356491372   |

## Technical data

### Dimensions

|          |       |
|----------|-------|
| Diameter | 18 mm |
| Height   | 35 mm |

### Ambient conditions

|                                 |                  |
|---------------------------------|------------------|
| Ambient temperature (operation) | -30 °C ... 60 °C |
|---------------------------------|------------------|

### General

|                   |                |
|-------------------|----------------|
| Material          | PA             |
| Color             | black          |
| Weight            | 10 g           |
| Mounting position | any            |
| Scope of delivery | 1 x nut        |
| Wrench size       | 19.00 mm       |
| Cable diameter    | 5 mm ... 10 mm |

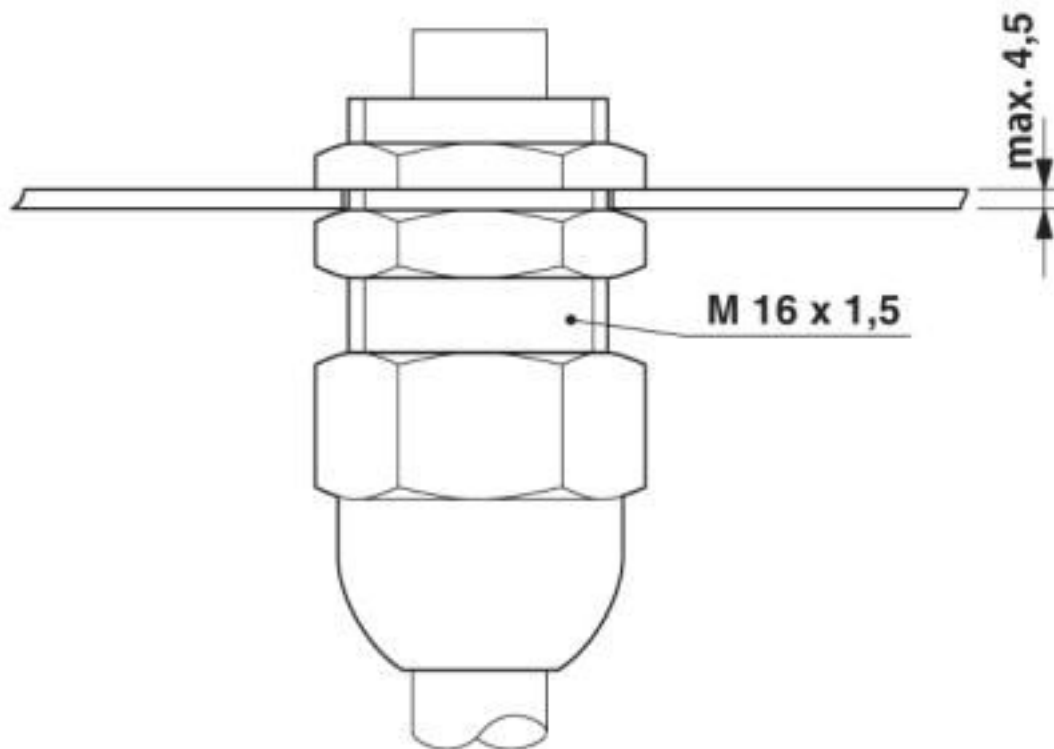
### Environmental Product Compliance

|            |   |
|------------|---|
| China RoHS | Environmentally friendly use period: unlimited = EFUP-e |
|            | No hazardous substances above threshold values          |

# Cable gland - PSD-S AS CABLE GLAND M16X1,5 - 2700145

## Drawings

Dimensional drawing



## Classifications

eCl@ss

|               |          |
|---------------|----------|
| eCl@ss 10.0.1 | 27371232 |
| eCl@ss 4.0    | 27141200 |
| eCl@ss 4.1    | 27141200 |
| eCl@ss 5.0    | 27149100 |
| eCl@ss 5.1    | 27149100 |
| eCl@ss 6.0    | 27149100 |
| eCl@ss 7.0    | 27149109 |
| eCl@ss 8.0    | 27149109 |
| eCl@ss 9.0    | 27371232 |

ETIM

|          |          |
|----------|----------|
| ETIM 3.0 | EC000441 |
| ETIM 4.0 | EC000441 |
| ETIM 5.0 | EC000441 |
| ETIM 6.0 | EC001152 |
| ETIM 7.0 | EC001152 |

# Cable gland - PSD-S AS CABLE GLAND M16X1,5 - 2700145

## Classifications

### UNSPSC

|               |          |
|---------------|----------|
| UNSPSC 6.01   | 43172015 |
| UNSPSC 7.0901 | 43201404 |
| UNSPSC 11     | 39121311 |
| UNSPSC 12.01  | 39121311 |
| UNSPSC 13.2   | 39121311 |
| UNSPSC 18.0   | 46171604 |
| UNSPSC 19.0   | 46171604 |
| UNSPSC 20.0   | 46171604 |
| UNSPSC 21.0   | 46171604 |

## Approvals

### Approvals

---

Approvals

EAC

---

Ex Approvals

---

### Approval details

|     |   |                          |
|-----|---|--------------------------|
| EAC |  | RU *-<br>DE.A*30.B.00237 |
|-----|---|--------------------------|

---

Phoenix Contact 2020 © - all rights reserved  
<http://www.phoenixcontact.com>

PHOENIX CONTACT GmbH & Co. KG  
Flachsmarktstr. 8  
32825 Blomberg  
Germany  
Tel. +49 5235 300  
Fax +49 5235 3 41200  
<http://www.phoenixcontact.com>

## X-ON Electronics

Largest Supplier of Electrical and Electronic Components

*Click to view similar products for [Cable Glands, Strain Reliefs & Cord Grips](#) category:*

*Click to view products by [Phoenix Contact](#) manufacturer:*

Other Similar products are found below :

[1218](#) [1300980012](#) [1300980105](#) [DBZM-6828](#) [1498](#) [915](#) [300623](#) [5632NM](#) [1124](#) [1151](#) [561-MP6P4WH](#) [5534M](#) [9000005073](#) [52104486](#)  
[5315817](#) [N16 025 0112 1](#) [N16 020 0112 1](#) [M6106](#) [7422](#) [NG-9516 Gasket](#) [N16 016 0112 1](#) [NG-9514 Gasket](#) [52006151](#) [2704](#) [BM4940L](#)  
[BM4950L](#) [1.097.2012.50](#) [1.152.1300.01](#) [1.152.2000.50](#) [1.152.2100.01](#) [1.152.2500.50](#) [1.152.4000.50](#) [1.209.1218.70](#) [1.209.6400.71](#)  
[1.609.1100.01](#) [1.609.2900.15](#) [1.609.3200.52](#) [1.609.3600.15](#) [1.609.5000.51](#) [1.676.2500.50](#) [52103150](#) [53112705](#) [53112715](#) [53112735](#)  
[53119073](#) [54115405](#) [52004120](#) [52001894](#) [53018160](#) [APGPG36BA](#)