


End cover - PSD-S AS END COVER - 2700148

Please be informed that the data shown in this PDF Document is generated from our Online Catalog. Please find the complete data in the user's documentation. Our General Terms of Use for Downloads are valid (<http://phoenixcontact.com/download>)

Black end cover (replacement part)



Key Commercial Data

Packing unit	1 pc
GTIN	 4 046356 491396
GTIN	4046356491396

Technical data

Dimensions

Diameter	70 mm
Height	16 mm

Ambient conditions

Ambient temperature (operation)	-30 °C ... 50 °C
---------------------------------	------------------

General

Material	Polycarbonate PC
Color	black
Weight	14 g
Mounting position	any

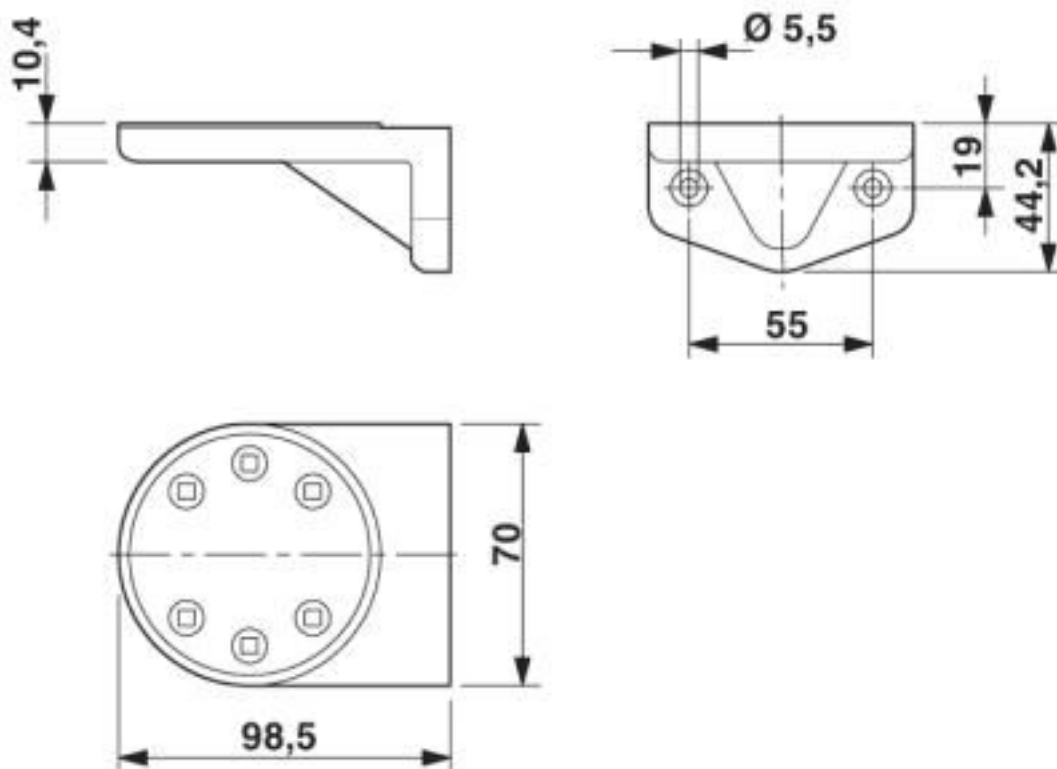
Environmental Product Compliance

China RoHS	Environmentally friendly use period: unlimited = EFUP-e
	No hazardous substances above threshold values

Drawings

End cover - PSD-S AS END COVER - 2700148

Dimensional drawing



Classifications

eCl@ss

eCl@ss 10.0.1	27242292
eCl@ss 4.0	21011300
eCl@ss 4.1	21011300
eCl@ss 5.0	27141100
eCl@ss 5.1	27371200
eCl@ss 6.0	27141100
eCl@ss 7.0	27141133
eCl@ss 8.0	27141133
eCl@ss 9.0	27242292

ETIM

ETIM 3.0	EC001284
ETIM 4.0	EC000886
ETIM 5.0	EC000886
ETIM 6.0	EC002584
ETIM 7.0	EC002584

End cover - PSD-S AS END COVER - 2700148

Classifications

UNSPSC

UNSPSC 6.01	43172015
UNSPSC 7.0901	43201404
UNSPSC 11	39121311
UNSPSC 12.01	39121311
UNSPSC 13.2	39121425
UNSPSC 18.0	32151601
UNSPSC 19.0	32151601
UNSPSC 20.0	32151601
UNSPSC 21.0	32151601

Approvals

Approvals

Approvals

EAC

Ex Approvals

Approval details

EAC		RU *- DE.A*30.B.00237
-----	---	--------------------------

Phoenix Contact 2020 © - all rights reserved
<http://www.phoenixcontact.com>

PHOENIX CONTACT GmbH & Co. KG
Flachsmarktstr. 8
32825 Blomberg
Germany
Tel. +49 5235 300
Fax +49 5235 3 41200
<http://www.phoenixcontact.com>

X-ON Electronics

Largest Supplier of Electrical and Electronic Components

Click to view similar products for [Circular Metric Connectors](#) category:

Click to view products by [Phoenix Contact](#) manufacturer:

Other Similar products are found below :

[600X518037X](#) [6STD15PCR99B70A](#) [8R4000A16M020](#) [8R5000A16M005](#) [1200910002](#) [1203580030](#) [1200910008](#) [1200910011](#) [1300140094](#)
[130203-0054](#) [1300140026](#) [1300150099](#) [RF-12S1N8A90DU](#) [1-3637-600-5205](#) [1612618](#) [21036836414](#) [8R4006A16M010](#) [1604232](#)
[1R3006A20M005](#) [RF-12P1N8A90DU](#) [41-40011](#) [42-00006](#) [42-01015](#) [4-22279-4](#) [4-22281-1](#) [4-22284-9](#) [43-00113](#) [43-01088](#) [43-01203](#) [41-](#)
[40013](#) [42-00008](#) [43-00343](#) [43-01026](#) [43-01162](#) [43-01173](#) [43-10000](#) [XS3P-M421-2](#) [600X518050X](#) [SACC-DSI-FS-5P-PG9-L180 SC](#)
[8R5006A16M020](#) [8R5006A16M005](#) [8R4000A16M010](#) [6-22279-3](#) [1605332](#) [N03FA03144](#) [1300140077](#) [43-16213](#) [43-01338](#) [XS2RD4265](#)
[XS2R-D426-1](#)