

Mounting brackets - PSD-S ME BR-BM/HCR - 2700149

Please be informed that the data shown in this PDF Document is generated from our Online Catalog. Please find the complete data in the user's documentation. Our General Terms of Use for Downloads are valid (<http://phoenixcontact.com/download>)



Angle for base mounting, concealed cable routing, black



Key Commercial Data

| | |
|--------------|---------------|
| Packing unit | 1 pc |
| GTIN | |
| GTIN | 4046356491402 |

Technical data

Dimensions

| | |
|----------|---------|
| Diameter | 79 mm |
| Height | 98.5 mm |

Ambient conditions

| | |
|---------------------------------|------------------|
| Ambient temperature (operation) | -30 °C ... 60 °C |
|---------------------------------|------------------|

General

| | |
|-----------------------|--|
| Material | ABS-PC |
| Color | black |
| Weight | 80 g |
| Mounting position | any |
| Mounting type | Base mounting, concealed cable routing |
| | Tube mounting |
| Assembly instructions | Seal is supplied with |
| Scope of delivery | 4 x plastic screw 2 x seal |

Environmental Product Compliance

| | |
|------------|---|
| China RoHS | Environmentally friendly use period: unlimited = EFUP-e |
|------------|---|

Mounting brackets - PSD-S ME BR-BM/HCR - 2700149

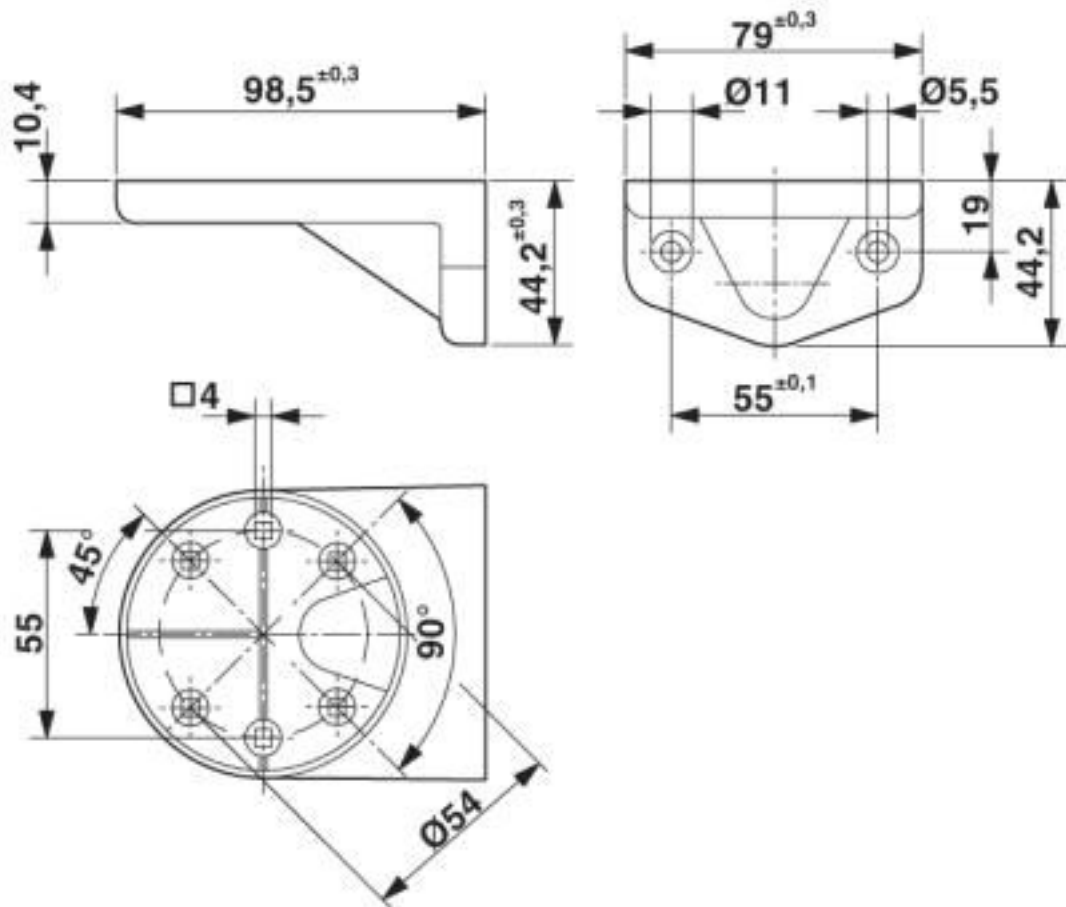
Technical data

Environmental Product Compliance

| | |
|--|--|
| | No hazardous substances above threshold values |
|--|--|

Drawings

Dimensional drawing



Classifications

eCl@ss

| | |
|---------------|----------|
| eCl@ss 10.0.1 | 27371233 |
| eCl@ss 4.0 | 27143200 |
| eCl@ss 4.1 | 27143200 |
| eCl@ss 5.0 | 27371200 |
| eCl@ss 5.1 | 27371200 |
| eCl@ss 6.0 | 27371200 |
| eCl@ss 7.0 | 27371233 |
| eCl@ss 8.0 | 27371233 |

Mounting brackets - PSD-S ME BR-BM/HCR - 2700149

Classifications

eCl@ss

| | |
|------------|----------|
| eCl@ss 9.0 | 27371233 |
|------------|----------|

ETIM

| | |
|----------|----------|
| ETIM 3.0 | EC000326 |
| ETIM 4.0 | EC002622 |
| ETIM 5.0 | EC001153 |
| ETIM 6.0 | EC001153 |
| ETIM 7.0 | EC001153 |

UNSPSC

| | |
|---------------|----------|
| UNSPSC 6.01 | 43172015 |
| UNSPSC 7.0901 | 43201404 |
| UNSPSC 11 | 39121311 |
| UNSPSC 12.01 | 39121311 |
| UNSPSC 13.2 | 39121311 |
| UNSPSC 18.0 | 46171604 |
| UNSPSC 19.0 | 46171604 |
| UNSPSC 20.0 | 46171604 |
| UNSPSC 21.0 | 46171604 |

Approvals

Approvals

Approvals

EAC / EAC

Ex Approvals

Approval details

| | | |
|-----|--|---------------|
| EAC | | EAC-Zulassung |
|-----|--|---------------|

| | | |
|-----|--|--------------------------|
| EAC | | RU *- DE.A*30.B.00237 |
|-----|--|--------------------------|

Phoenix Contact 2020 © - all rights reserved
<http://www.phoenixcontact.com>

PHOENIX CONTACT GmbH & Co. KG
Flachmarktstr. 8
32825 Blomberg
Germany
Tel. +49 5235 300
Fax +49 5235 3 41200
<http://www.phoenixcontact.com>

X-ON Electronics

Largest Supplier of Electrical and Electronic Components

Click to view similar products for [Circular Metric Connectors](#) category:

Click to view products by [Phoenix Contact](#) manufacturer:

Other Similar products are found below :

[600X518037X](#) [6STD15PCR99B70A](#) [8R4000A16M020](#) [8R5000A16M005](#) [1200910002](#) [1203580030](#) [1200910008](#) [1200910011](#) [1300140094](#)
[130203-0054](#) [1300140026](#) [1300150099](#) [RF-12S1N8A90DU](#) [1-3637-600-5205](#) [1612618](#) [21036836414](#) [8R4006A16M010](#) [1604232](#)
[1R3006A20M005](#) [RF-12P1N8A90DU](#) [41-40011](#) [42-00006](#) [42-01015](#) [4-22279-4](#) [4-22281-1](#) [4-22284-9](#) [43-00113](#) [43-01088](#) [43-01203](#) [41-](#)
[40013](#) [42-00008](#) [43-00343](#) [43-01026](#) [43-01162](#) [43-01173](#) [43-10000](#) [XS3P-M421-2](#) [600X518050X](#) [SACC-DSI-FS-5P-PG9-L180 SC](#)
[8R5006A16M020](#) [8R5006A16M005](#) [8R4000A16M010](#) [6-22279-3](#) [1605332](#) [N03FA03144](#) [1300140077](#) [43-16213](#) [43-01338](#) [XS2RD4265](#)
[XS2R-D426-1](#)