

Mounting material - PSD-S ME FB - 2700151


Please be informed that the data shown in this PDF Document is generated from our Online Catalog. Please find the complete data in the user's documentation. Our General Terms of Use for Downloads are valid (<http://phoenixcontact.com/download>)



Foldaway base, pitch 7.5°, black



Key Commercial Data

Packing unit	1 pc
GTIN	 4 046356 491426
GTIN	4046356491426

Technical data

Dimensions

Diameter	70 mm
Height	117 mm

Ambient conditions

Ambient temperature (operation)	-30 °C ... 60 °C
Degree of protection	IP65

General

Material	PA-GF
Color	black
Weight	165 g
Mounting position	any
Mounting type	Base mounting Tube mounting
Assembly instructions	Seal is supplied with
Scope of delivery	3 x with screws (hexagonal socket-head) 1 x seal 1 x foam material ring

Environmental Product Compliance

Mounting material - PSD-S ME FB - 2700151

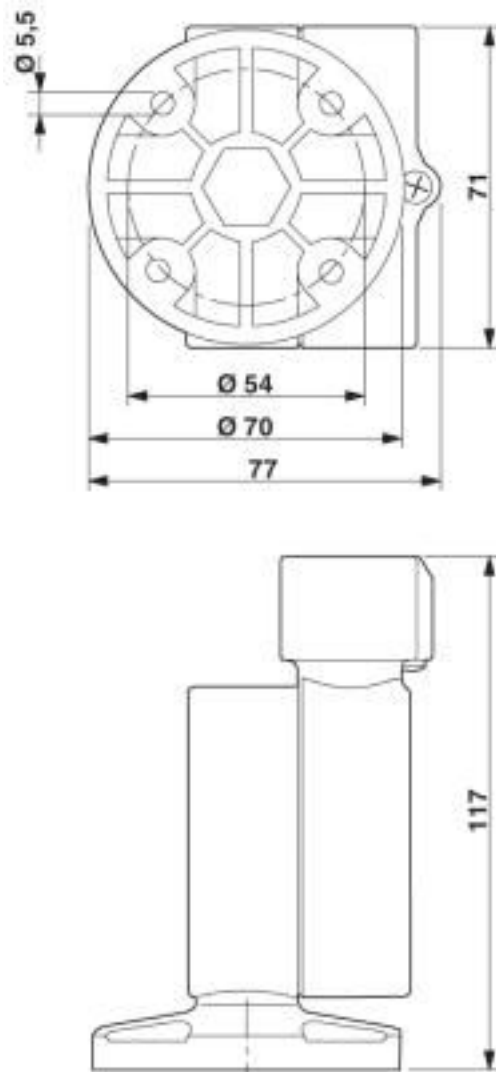
Technical data

Environmental Product Compliance

China RoHS	Environmentally friendly use period: unlimited = EFUP-e
	No hazardous substances above threshold values

Drawings

Dimensional drawing



Classifications

eCl@ss

eCl@ss 10.0.1	27371235
eCl@ss 4.0	27143200
eCl@ss 4.1	27143200

Mounting material - PSD-S ME FB - 2700151

Classifications

eCl@ss

eCl@ss 5.0	27371200
eCl@ss 5.1	27371200
eCl@ss 6.0	27371200
eCl@ss 7.0	27371235
eCl@ss 8.0	27371235
eCl@ss 9.0	27371235

ETIM

ETIM 3.0	EC001154
ETIM 4.0	EC001154
ETIM 5.0	EC001154
ETIM 6.0	EC001154
ETIM 7.0	EC001154

UNSPSC

UNSPSC 6.01	43172015
UNSPSC 7.0901	43201404
UNSPSC 11	39121311
UNSPSC 12.01	39121311
UNSPSC 13.2	43221528
UNSPSC 18.0	43221528
UNSPSC 19.0	43221528
UNSPSC 20.0	43221528
UNSPSC 21.0	43221528

Approvals

Approvals

Approvals

EAC

Ex Approvals

Approval details

EAC		RU *- DE.A*30.B.00237
-----	--	--------------------------

Phoenix Contact 2020 © - all rights reserved
<http://www.phoenixcontact.com>

PHOENIX CONTACT GmbH & Co. KG
Flachmarktstr. 8
32825 Blomberg
Germany
Tel. +49 5235 300
Fax +49 5235 3 41200
<http://www.phoenixcontact.com>

X-ON Electronics

Largest Supplier of Electrical and Electronic Components

Click to view similar products for [Circular Metric Connectors](#) category:

Click to view products by [Phoenix Contact](#) manufacturer:

Other Similar products are found below :

[600X518037X](#) [6STD15PCR99B70A](#) [8R4000A16M020](#) [8R5000A16M005](#) [1200910002](#) [1203580030](#) [1200910008](#) [1200910011](#) [1300140094](#)
[130203-0054](#) [1300140026](#) [1300150099](#) [RF-12S1N8A90DU](#) [1612618](#) [21036836414](#) [8R4006A16M010](#) [8R5006A18A120](#) [1604232](#)
[1R3006A20M005](#) [RF-12P1N8A80DU](#) [RF-12P1N8A90DU](#) [41-40011](#) [42-00006](#) [42-01015](#) [4-22279-4](#) [4-22281-1](#) [4-22284-9](#) [43-00113](#) [43-](#)
[01088](#) [43-01203](#) [41-40013](#) [42-00008](#) [43-00343](#) [43-01032](#) [43-01162](#) [43-01173](#) [43-10000](#) [XS3P-M421-2](#) [600X518050X](#) [SACC-DSI-FS-5P-](#)
[PG9-L180 SC](#) [8R5006A16M020](#) [8R5006A16M005](#) [8R4000A16M010](#) [6-22279-3](#) [1605332](#) [N03FA03144](#) [1300140077](#) [43-16213](#) [43-01338](#)
[XS2RD4265](#)