

# Mounting material - PSD-S ME B-P - 2700163


Please be informed that the data shown in this PDF Document is generated from our Online Catalog. Please find the complete data in the user's documentation. Our General Terms of Use for Downloads are valid (<http://phoenixcontact.com/download>)



Foot for tube Ø 25 mm, plastic, black



## Key Commercial Data

Packing unit	1 pc
GTIN	 4 046356 491525
GTIN	4046356491525

## Technical data

### Dimensions

Diameter	70 mm
Height	37 mm

### Ambient conditions

Ambient temperature (operation)	-30 °C ... 60 °C
---------------------------------	------------------

### General

Material	PA-GF
Color	black
Weight	42 g
Mounting position	any
Mounting type	Tube mounting Base mounting
Assembly instructions	Seal is supplied with
Scope of delivery	1 x plastic screw 1 x seal

## Environmental Product Compliance

China RoHS	Environmentally friendly use period: unlimited = EFUP-e
------------	---

# Mounting material - PSD-S ME B-P - 2700163

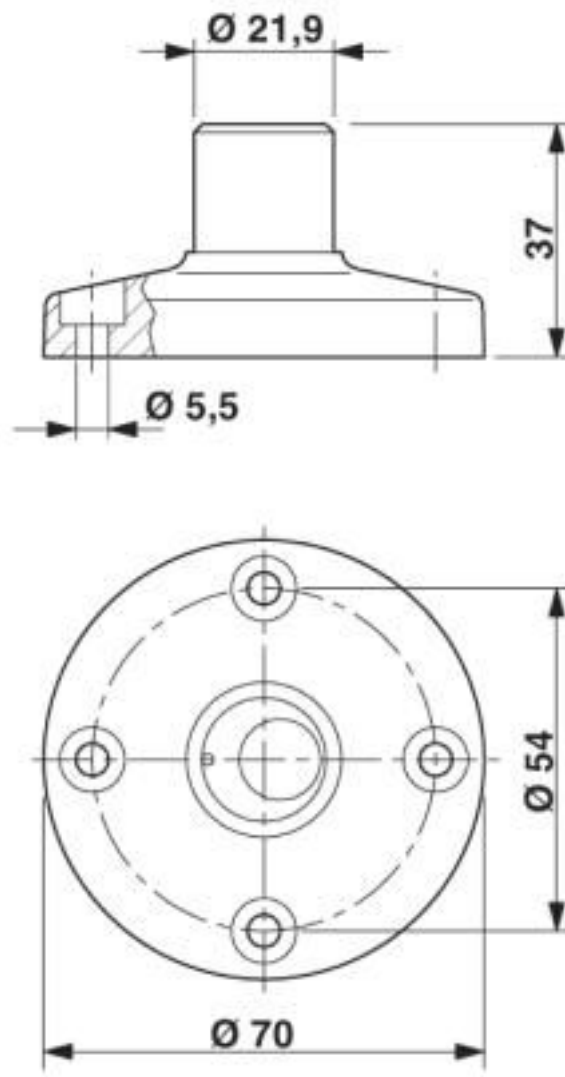
## Technical data

### Environmental Product Compliance

	No hazardous substances above threshold values
--	--

## Drawings

Dimensional drawing



## Classifications

eCl@ss

eCl@ss 10.0.1	27371235
eCl@ss 4.0	27143200
eCl@ss 4.1	27143200
eCl@ss 5.0	27371200

# Mounting material - PSD-S ME B-P - 2700163

## Classifications

### eCl@ss

eCl@ss 5.1	27371200
eCl@ss 6.0	27371200
eCl@ss 7.0	27371235
eCl@ss 8.0	27371235
eCl@ss 9.0	27371235

### ETIM

ETIM 3.0	EC001154
ETIM 4.0	EC001154
ETIM 5.0	EC001154
ETIM 6.0	EC001154
ETIM 7.0	EC001154

### UNSPSC

UNSPSC 6.01	43172015
UNSPSC 7.0901	43201404
UNSPSC 11	39121311
UNSPSC 12.01	39121311
UNSPSC 13.2	43221528
UNSPSC 18.0	43221528
UNSPSC 19.0	43221528
UNSPSC 20.0	43221528
UNSPSC 21.0	43221528

## Approvals

### Approvals

---

Approvals

EAC

---

Ex Approvals

---

### Approval details

EAC		RU *- DE.A*30.B.00237
-----	--	--------------------------

---

Phoenix Contact 2020 © - all rights reserved  
<http://www.phoenixcontact.com>

PHOENIX CONTACT GmbH & Co. KG  
Flachsmarktstr. 8  
32825 Blomberg  
Germany  
Tel. +49 5235 300  
Fax +49 5235 3 41200  
<http://www.phoenixcontact.com>

## X-ON Electronics

Largest Supplier of Electrical and Electronic Components

*Click to view similar products for [Piezo Buzzers & Audio Indicators](#) category:*

*Click to view products by [Phoenix Contact](#) manufacturer:*

Other Similar products are found below :

[6-4](#) [68S1240-PA](#) [MBA-624](#) [FDG06PSLLF](#) [FDG111PLF](#) [F/NRMB 24 BLACK LF](#) [PF-35N29WQ](#) [PFD-21A29W](#) [PFD-27A35PQ](#) [PL-21N30WQ](#) [PL-27A35PSQ](#) [PLD-21N30W](#) [PLD-21N30WQ](#) [PS-531Q](#) [PT-3534FP](#) [EBPT-401](#) [B822B](#) [PB-1220PEQ](#) [S6109](#) [SBM616PR](#) [SC110E](#) [SC2036ACP](#) [SC616N-2](#) [SC628FW](#) [SC628MPG](#) [SC648D](#) [SCS045MD9DT3S](#) [FCM12PLF](#) [F/EB20P-DR LF](#) [F/SMD03A LF](#) [FSMD8585JSLF](#) [F/SU 21-02 LF](#) [F/TCW 12 WITH LABEL LF](#) [F/UCW 06 WITH LABEL LF](#) [PFD-27N36W](#) [PKM22EPPH40S1-B0](#) [PKM35-4A0](#) [PL-35N29WQ](#) [PS-552Q](#) [CM-5](#) [REF-202](#) [B/SE 128 RED LF](#) [KBS-20DA-7AS](#) [KBS-27DA-5C-105](#) [LSC628ANR](#) [03-810.001](#) [RTO-1R07-001](#) [PL-21N31PQ](#) [F-B-P1405ISB LF](#) [B/CP 28B BLACK LF](#)