

# Mounting material - PSD-S ME B-M - 2700164


Please be informed that the data shown in this PDF Document is generated from our Online Catalog. Please find the complete data in the user's documentation. Our General Terms of Use for Downloads are valid (<http://phoenixcontact.com/download>)



Foot for tube Ø 25 mm, aluminium, black



## Key Commercial Data

Packing unit	1 pc
GTIN	 4 046356 491532
GTIN	4046356491532

## Technical data

### Dimensions

Diameter	70 mm
Height	31 mm

### Ambient conditions

Ambient temperature (operation)	-30 °C ... 60 °C
---------------------------------	------------------

### General

Material	Anodized aluminum
Color	black
Weight	110 g
Mounting position	any
Mounting type	Tube mounting
	Base mounting
Assembly instructions	Seal is supplied with
Scope of delivery	1 x terminal block screw (Allen screw) 1 x seal

### Environmental Product Compliance

China RoHS	Environmentally friendly use period: unlimited = EFUP-e
------------	---

# Mounting material - PSD-S ME B-M - 2700164

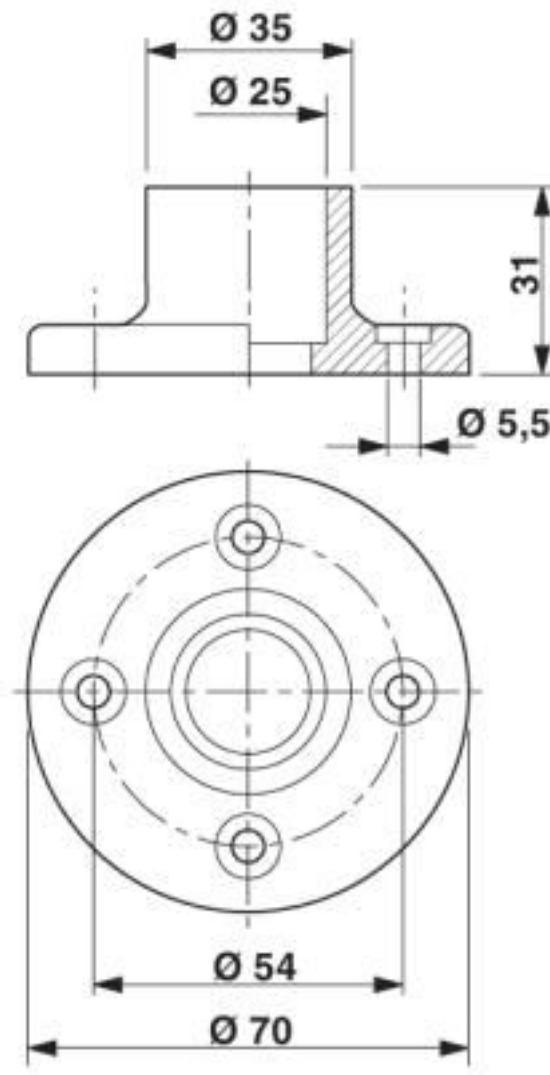
## Technical data

### Environmental Product Compliance

	No hazardous substances above threshold values
--	--

## Drawings

Dimensional drawing



## Classifications

eCl@ss

eCl@ss 10.0.1	27371235
eCl@ss 4.0	27143200
eCl@ss 4.1	27143200
eCl@ss 5.0	27371200

# Mounting material - PSD-S ME B-M - 2700164

## Classifications

### eCl@ss

eCl@ss 5.1	27371200
eCl@ss 6.0	27371200
eCl@ss 7.0	27371235
eCl@ss 8.0	27371235
eCl@ss 9.0	27371235

### ETIM

ETIM 3.0	EC001154
ETIM 4.0	EC001154
ETIM 5.0	EC001154
ETIM 6.0	EC001154
ETIM 7.0	EC001154

### UNSPSC

UNSPSC 6.01	43172015
UNSPSC 7.0901	43201404
UNSPSC 11	39121311
UNSPSC 12.01	39121311
UNSPSC 13.2	43221528
UNSPSC 18.0	43221528
UNSPSC 19.0	43221528
UNSPSC 20.0	43221528
UNSPSC 21.0	43221528

## Approvals

### Approvals

---

Approvals

EAC / EAC

---

Ex Approvals

---

### Approval details

EAC		EAC-Zulassung
-----	---	---------------

## Mounting material - PSD-S ME B-M - 2700164

### Approvals

EAC



RU \*-  
DE.A\*30.B.00237

Phoenix Contact 2020 © - all rights reserved  
<http://www.phoenixcontact.com>

PHOENIX CONTACT GmbH & Co. KG  
Flachsmarktstr. 8  
32825 Blomberg  
Germany  
Tel. +49 5235 300  
Fax +49 5235 3 41200  
<http://www.phoenixcontact.com>

## X-ON Electronics

Largest Supplier of Electrical and Electronic Components

*Click to view similar products for [Mounting Fixings](#) category:*

*Click to view products by [Phoenix Contact](#) manufacturer:*

Other Similar products are found below :

[5912235-1 REV](#) - [5912235-2](#) [007541](#) [627](#) [M3783-7001](#) [71-074914-006](#) [71-441549-19S](#) [75-69211-3P](#) [75-69214-6P](#) [75-69220-27S](#) [75-69224-5S](#) [7717-8DAP](#) [85043GULPR](#) [85047GULPT](#) [FPK-02-R10](#) [PMS27488-001-01](#) [1-18023-0](#) [H-118-2](#) [D83999/20WC8SN](#) [DB1](#)  
[1302030464](#) [DC31-14W19PN](#) [DC31-14W19PW](#) [DC32-18W32SN](#) [DC36-18-32SW](#) [DC36-18-32SX](#) [DC37-14-19PW](#) [DC37-22-21PX](#)  
[1302010957](#) [1302263564](#) [1302340393](#) [1404-0016-78](#) [14540](#) [149331-9811](#) [1561-60](#) [1566](#) [1566](#) [BR16A](#) [HS5659MB98PN](#) [NT20SATT01](#)  
[22594-8](#) [KBB-141](#) [89078GBEPR](#) [915060](#) [SF4011-60101](#) [97-CS-50](#) [1671](#) [LS10215R14-15PN](#) [LS10215R14-7PN L/C](#) [1855-54](#)