

Coupling relay - PSR-PS20-1NO-1NC-24DC-SC - 2700356

Please be informed that the data shown in this PDF Document is generated from our Online Catalog. Please find the complete data in the user's documentation. Our General Terms of Use for Downloads are valid (<http://phoenixcontact.com/download>)




Coupling relay for SIL 3 high and low-demand applications, couples digital output signals to the I/O, 1 enabling current path, 1 confirmation current path, 1 digital signal output, safe state off applications, test pulse filter, fixed screw terminal block

Your advantages

- ✓ Up to SIL 3 according to IEC 61508
- ✓ Forcibly guided contacts according to EN 50205
- ✓ Easy proof test according to IEC 61508 thanks to integrated signal contact
- ✓ Approved for Class I, Zone 2 applications
- ✓ Low housing width of just 6.8 mm
- ✓ Long service life thanks to filtering of controller test pulses
- ✓ 1 enabling current path, 1 digital signal output, 1 diagnostic current path
- ✓ Couples digital output signals from failsafe controllers to I/O devices (valves, etc.) for electrical isolation and power adaptation



Key Commercial Data

Packing unit	1 pc
GTIN	 4 046356 912891
GTIN	4046356912891

Technical data

Note

Utilization restriction	EMC: class A product, see manufacturer's declaration in the download area
-------------------------	---

Dimensions

Width	6.8 mm
Height	93.1 mm
Depth	102.5 mm

Ambient conditions

Ambient temperature (operation)	-40 °C ... 70 °C (observe derating)
---------------------------------	-------------------------------------

Coupling relay - PSR-PS20-1NO-1NC-24DC-SC - 2700356

Technical data

Ambient conditions

Ambient temperature (storage/transport)	-40 °C ... 85 °C
Max. permissible relative humidity (operation)	75 % (on average, 85% infrequently, non-condensing)
Max. permissible humidity (storage/transport)	75 % (on average, 85% infrequently, non-condensing)
Maximum altitude	≤ 2000 m (Above sea level)

Power supply

Designation	A1/A2
Rated control circuit supply voltage U_s	24 V DC -15 % / +10 %
	20.4 V DC ... 26.4 V DC
Rated control supply current I_s	typ. 45 mA
Input voltage range "0" signal	0 V DC ... 5 V DC (for safe Off)
Input current range "0" signal	0 mA ... 2 mA (for safe Off)
Power consumption at U_s	typ. 1.08 W
Inrush current	typ. 400 mA ($\Delta t < 10 \mu s$ at U_s)
Filter time	max. 2 ms (at A1-A2; test pulse width)
	≥ 100 ms (at A1-A2; test pulse rate)
Protective circuit	Serial protection against polarity reversal Suppressor diode 33 V
Designation	21/A2
Diagnostic supply voltage U_D	24 V DC -15 % / +10 % (21/A2)
Input current at U_D	6 mA (at 21-A2 for U_D ; depending on load + 100 mA at M1 and 22)
Inrush current at U_D	typ. 2.5 A ($\Delta t < 20 \mu s$ at U_D)
Protective circuit	Serial protection against polarity reversal Suppressor diode 38 V

Relay outputs: enabling current path

Output name	Enabling current path
Output description	2 N/O contacts in series, without delay, floating
Number of outputs	1 (safety-related N/O contacts: 13/14)
Contact type	1 enabling current path
Contact material	AgSnO ₂
Switching voltage	min. 12 V AC/DC
	max. 250 V AC/DC (Observe the load curve)
Limiting continuous current	6 A (High demand)
	4 A (Low demand)
Inrush current	min. 3 mA
	max. 6 A
Sq. Total current	36 A ² (observe derating)
Switching capacity	min. 60 mW
Switching frequency	max. 1 Hz
Mechanical service life	10x 10 ⁶ cycles
Switching capacity according to IEC 60947-5-1	4 A (24 V (DC13))
	5 A (250 V (AC15))

Coupling relay - PSR-PS20-1NO-1NC-24DC-SC - 2700356

Technical data

Relay outputs: enabling current path

Output fuse	6 A gL/gG
	4 A gL/gG (for low-demand applications)

Relay outputs: return current/signaling current path

Output name	Confirmation current path
Output description	2 N/C contacts in series, without delay, not floating (reference ground: A2)
Number of outputs	1 (safety-related N/C contacts: 21/22)
Contact type	1 confirmation current path
Contact material	AgCuNi, + Au
Switching voltage	min. 20.4 V DC
	max. 26.4 V DC
Limiting continuous current	100 mA
Inrush current	min. 1 mA
	max. 100 mA
Switching capacity	min. 20 mW
Switching frequency	max. 1 Hz
Mechanical service life	10x 10 ⁶ cycles
Output fuse	150 mA Fast-blow

Alarm outputs

Designation	M1
Output description	PNP
Number of outputs	1 (non-safety-related)
Voltage	approx. 22 V DC (U _D - 2 V)
Current	max. 100 mA
Maximum inrush current	500 mA (Δt = 1 ms at U _s)
Short-circuit protection	no
Output fuse	150 mA fast blow

Times

Typical pickup time at U _S	< 100 ms (with U _s when controlled via A1)
Typical release time at U _S	< 35 ms (when controlled via A1)
Recovery time	500 ms

General

Relay type	Electromechanical relay with force-guided contacts in accordance with IEC/EN 61810-3
Nominal operating mode	100% operating factor
Net weight	69.773 g
Mounting position	vertical, horizontal, with front of module upward
Mounting type	DIN rail mounting
Assembly instructions	See derating curve

Coupling relay - PSR-PS20-1NO-1NC-24DC-SC - 2700356

Technical data

General

Degree of protection	IP20
Min. degree of protection of inst. location	IP54
Housing material	PBT
Housing color	yellow
Operating voltage display	1 x yellow LED
Status display	2 x green LEDs
Indication	1 x red LED

Connection data

Connection method	Screw connection
pluggable	no
Conductor cross section solid	0.2 mm ² ... 2.5 mm ²
Conductor cross section flexible	0.2 mm ² ... 2.5 mm ²
Conductor cross-section AWG	24 ... 12
Stripping length	12 mm
Screw thread	M3
Torque	0.5 Nm ... 0.6 Nm

Safety-related characteristic data

Stop category	0
Designation	IEC 61508 - High demand
Safety Integrity Level (SIL)	3
Designation	IEC 61508 - Low demand
Safety Integrity Level (SIL)	3
Designation	EN 50156
Safety Integrity Level (SIL)	3

Standards and Regulations

Designation	Air clearances and creepage distances between the power circuits
Standards/regulations	DIN EN 50178, EN 60079-15
Rated insulation voltage	250 V AC
Rated surge voltage/insulation	Safe isolation, 6 kV reinforced insulation from control circuit, start circuit, confirmation current path, signal output to the enabling current path; 4 kV/basic insulation between all current paths and housing
Degree of pollution	2
Overvoltage category	III
Shock	15g
Vibration (operation)	10 Hz ... 150 Hz, 2g
Conformance	CE-compliant
ATEX	# II 3 G Ex nA nC IIC T4 Gc
IECEX	Ex nA nC IIC T4 Gc
UL, USA/Canada	cULus
	Class I, Zone 2, AEx nA nC IIC T4 / Ex nA nC IIC Gc T4 X

Coupling relay - PSR-PS20-1NO-1NC-24DC-SC - 2700356

Technical data

Standards and Regulations

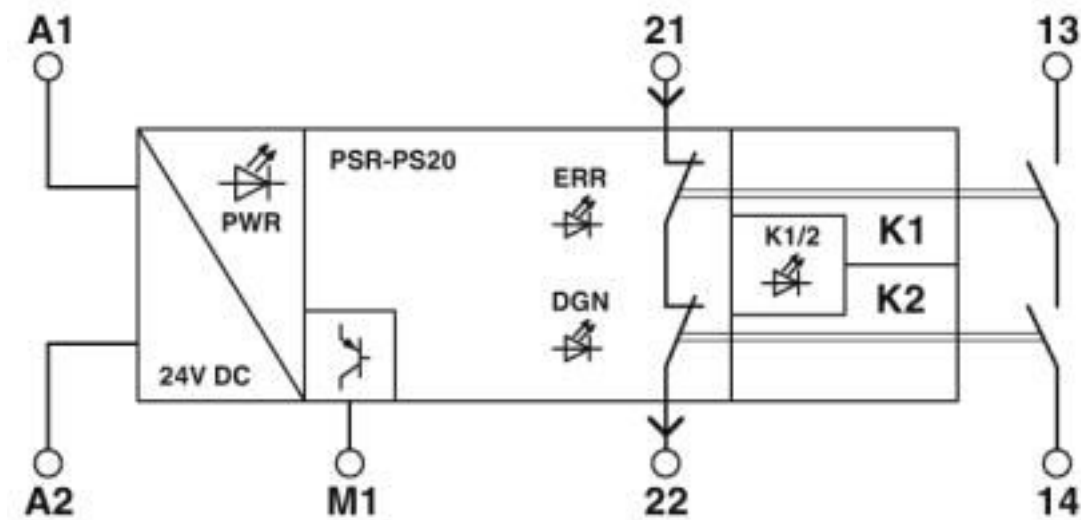
	Class I, Div. 2, Groups A, B, C, D, T4
GL	C, EMC2
Environmental simulation test	ISA-S71.04 (G3)

Environmental Product Compliance

REACH SVHC	Lead 7439-92-1
China RoHS	Environmentally Friendly Use Period = 50 years
	For details about hazardous substances go to tab "Downloads", Category "Manufacturer's declaration"

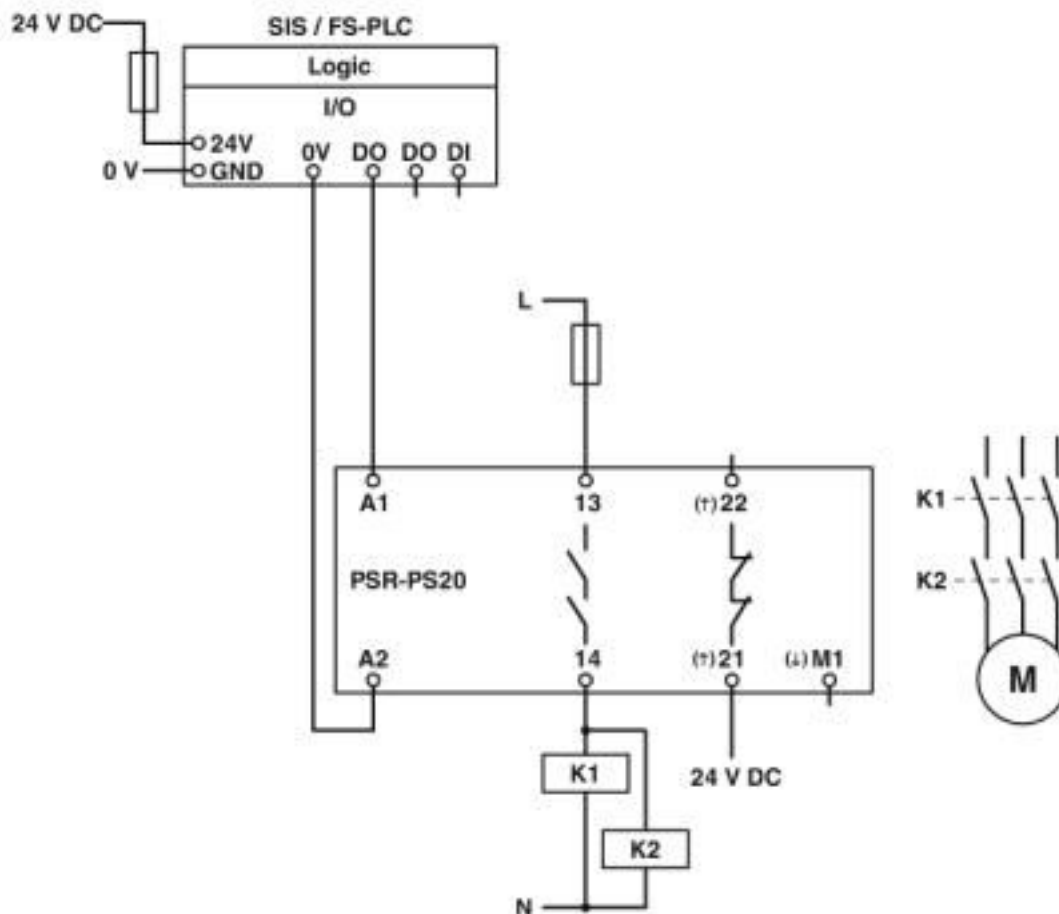
Drawings

Block diagram



Coupling relay - PSR-PS20-1NO-1NC-24DC-SC - 2700356

Circuit diagram



Classifications

eCl@ss

eCl@ss 10.0.1	27371819
eCl@ss 4.0	40020600
eCl@ss 4.1	40020600
eCl@ss 5.0	27371900
eCl@ss 5.1	27371900
eCl@ss 6.0	27371800
eCl@ss 7.0	27371819
eCl@ss 8.0	27371819
eCl@ss 9.0	27371819

ETIM

ETIM 5.0	EC001449
ETIM 6.0	EC001449
ETIM 7.0	EC001449

Coupling relay - PSR-PS20-1NO-1NC-24DC-SC - 2700356

Approvals

Approvals

Approvals

GL / UL Listed / cUL Listed / Functional Safety / EAC / Functional Safety / cULus Listed

Ex Approvals

ATEX / IECEx / UL Listed / cUL Listed

Approval details

GL		https://approvalfinder.dnvgl.com/	11253-14 HH
----	--	---	-------------

UL Listed		http://database.ul.com/cgi-bin/XYV/template/LISEXT/1FRAME/index.htm	FILE E 140324
-----------	--	---	---------------

cUL Listed		http://database.ul.com/cgi-bin/XYV/template/LISEXT/1FRAME/index.htm	FILE E 140324
------------	--	---	---------------

Functional Safety			44-780-13755203
-------------------	--	--	-----------------

EAC			RU C- DE.A*30.B.01082
-----	--	--	--------------------------

Functional Safety			44-205-13755205
-------------------	--	--	-----------------

cULus Listed			
--------------	--	--	--

Accessories

Accessories

Coupling relay - PSR-PS20-1NO-1NC-24DC-SC - 2700356

Accessories

Terminal marking

Zack Marker strip, flat - ZBF 6:UNBEDRUCKT - 0808710



Zack Marker strip, flat, Strip, white, unlabeled, can be labeled with: PLOTMARK, CMS-P1-PLOTTER, mounting type: snap into flat marker groove, for terminal block width: 6.2 mm, lettering field size: 5.15 x 6.15 mm, Number of individual labels: 10

Phoenix Contact 2020 © - all rights reserved
<http://www.phoenixcontact.com>

PHOENIX CONTACT GmbH & Co. KG
Flachsmarktstr. 8
32825 Blomberg
Germany
Tel. +49 5235 300
Fax +49 5235 3 41200
<http://www.phoenixcontact.com>

X-ON Electronics

Largest Supplier of Electrical and Electronic Components

Click to view similar products for [Safety Relays](#) category:

Click to view products by [Phoenix Contact](#) manufacturer:

Other Similar products are found below :

[7-1618103-5](#) [1351-1X](#) [1618082-4](#) [1618111-1](#) [C200HDA003](#) [C200HMR432](#) [C200HMR832](#) [C200HMR833](#) [C28PEDRA](#) [20-050-36X](#)
[C500ETL01](#) [C500OD415CN](#) [2-1618068-0](#) [9-1618103-2](#) [SP10-ETL01](#) [22-060X](#) [C200HNC112](#) [C200HOD214](#) [C500CN812N](#) [4NK0AQY](#)
[1100X](#) [1100-42X](#) [V23050A1012A551](#) [6-1618082-4](#) [7-1618103-6](#) [WTD-101X](#) [SP16DRD](#) [SP16DRA](#) [C500-CE243](#) [C500-IDS02-V1](#)
[607.5111.020](#) [DOLD 48173](#) [CS AR-02V024](#) [CS AR-22V024](#) [CS AR-22V230](#) [CS AR-46V024](#) [750136](#) [PSR-MS21-1NO-1DO-24DC-SC](#)
[600PSR-165/300-CU](#) [SR6V6K18](#) [SR4M4005](#) [BPS 36-1](#) [BP34 - 101057553](#) [2TLA010033R3000](#) [2TLA010033R2000](#) [2TLA010033R0000](#)
[2TLA010028R1000](#) [2TLA010017R0100](#) [2TLA010026R0400](#) [SCR 2-W22-2.5](#)