


Assembly adapters - FL EPA WMS - 2701134

Please be informed that the data shown in this PDF Document is generated from our Online Catalog. Please find the complete data in the user's documentation. Our General Terms of Use for Downloads are valid (<http://phoenixcontact.com/download>)

Set for mounting devices with EPA design to wall or mast, including mast clips for a diameter of 25 - 85 mm, can be moved on two axes for optimum alignment, stainless steel



Key Commercial Data

Packing unit	1 pc
GTIN	 4 046356 712385
GTIN	4046356712385

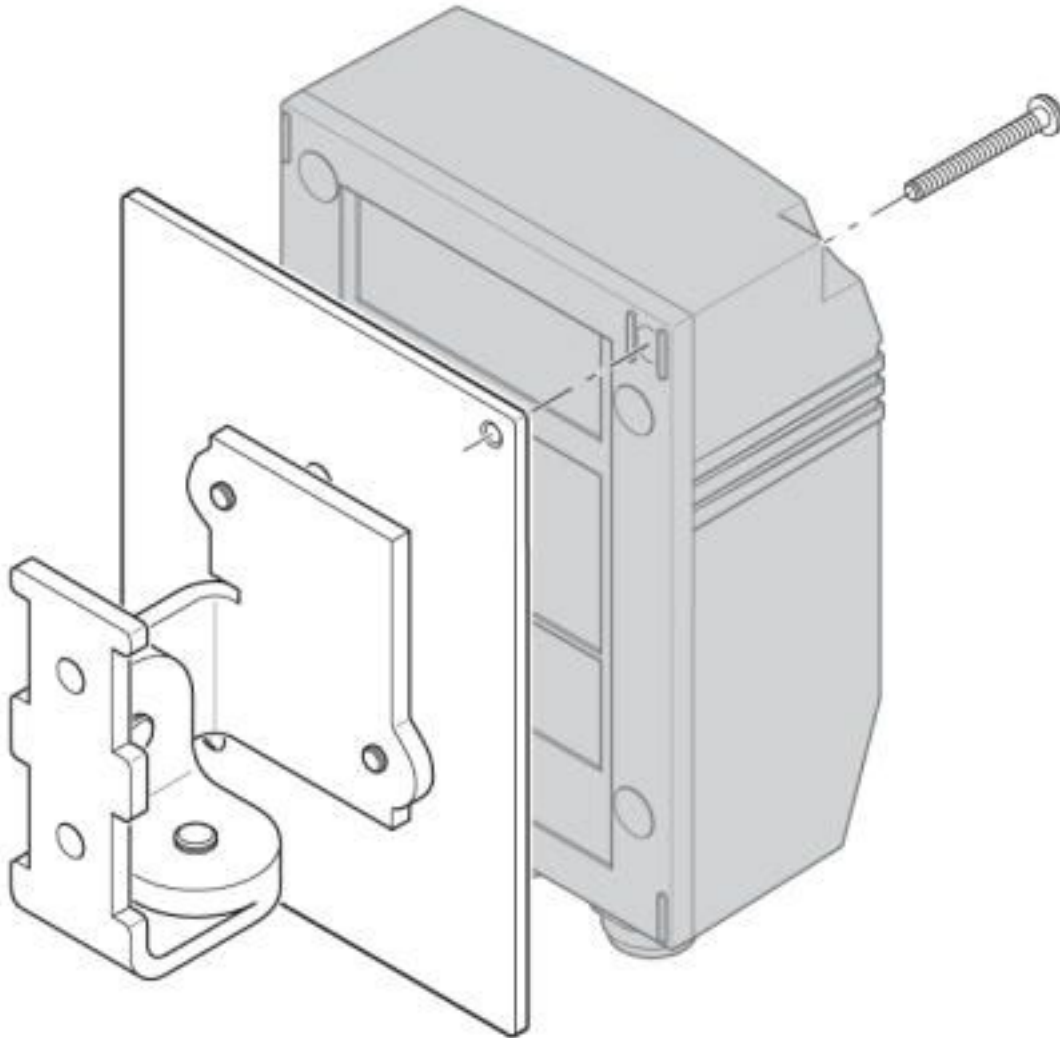
Technical data

Product type	Assembly adapter
--------------	------------------

Drawings

Assembly adapters - FL EPA WMS - 2701134

Schematic diagram



Classifications

eCl@ss

eCl@ss 4.0	27240400
eCl@ss 4.1	27240400
eCl@ss 5.0	19030100
eCl@ss 5.1	19030100
eCl@ss 6.0	27379200
eCl@ss 7.0	27379217
eCl@ss 8.0	27379217
eCl@ss 9.0	27379217

ETIM

ETIM 3.0	EC001423
----------	----------

Assembly adapters - FL EPA WMS - 2701134

Classifications

ETIM

ETIM 4.0	EC002032
ETIM 5.0	EC002032
ETIM 6.0	EC002032
ETIM 7.0	EC002032

UNSPSC

UNSPSC 6.01	43172710
UNSPSC 7.0901	43223108
UNSPSC 11	43172710
UNSPSC 12.01	43223108
UNSPSC 13.2	27113201
UNSPSC 18.0	27113201
UNSPSC 19.0	27113201
UNSPSC 20.0	27113201
UNSPSC 21.0	27113201

Phoenix Contact 2020 © - all rights reserved
<http://www.phoenixcontact.com>

PHOENIX CONTACT GmbH & Co. KG
Flachsmarktstr. 8
32825 Blomberg
Germany
Tel. +49 5235 300
Fax +49 5235 3 41200
<http://www.phoenixcontact.com>

X-ON Electronics

Largest Supplier of Electrical and Electronic Components

Click to view similar products for [Mounting Fixings](#) category:

Click to view products by [Phoenix Contact](#) manufacturer:

Other Similar products are found below :

[5912235-1 REV](#) - [5912235-2](#) [007541](#) [627](#) [M3783-7001](#) [71-074914-006](#) [71-146610-6H](#) [71-441549-19S](#) [75-69211-3P](#) [75-69214-6P](#) [75-69220-27S](#) [75-69224-5S](#) [7717-8DAP](#) [85047GULPT](#) [85048GBESR](#) [FPK-02-R10](#) [PMS27488-001-01](#) [1-18023-0](#) [H-118-2](#) [D83999/20WC8SN](#)
[DB1](#) [1302030464](#) [DC31-14W19PN](#) [DC31-14W19PW](#) [DC32-18W32SN](#) [DC36-18-32SW](#) [DC36-18-32SX](#) [DC37-14-19PW](#) [DC37-22-21PX](#)
[1302010957](#) [1302263564](#) [1302340393](#) [1404-0016-78](#) [14540](#) [149331-9811](#) [1561-60](#) [1566](#) [1566](#) [17542](#) [BR16A](#) [HS5659MB98PN](#)
[NT20SATT01](#) [201C5058-01-201 REV E](#) [22594-8](#) [KBB-141](#) [89078GBEPR](#) [89078GBESR](#) [915060](#) [SF4011-60101](#) [97-CS-50](#)