

## Control box - FL RUGGED BOX - 2701204

Please be informed that the data shown in this PDF Document is generated from our Online Catalog. Please find the complete data in the user's documentation. Our General Terms of Use for Downloads are valid (<http://phoenixcontact.com/download>)



Control box for robust construction of wireless systems for industrial applications, IP66, 25 x 18 x 13 cm, polycarbonate material, gray, drilled, incl. DIN rail, plugs, and screw connections, without devices

RoHS

### Key Commercial Data

Packing unit	1 pc
GTIN	
GTIN	4046356724128

### Technical data

#### Dimensions

Width	174 mm
Height	254 mm
Depth	137 mm

#### Ambient conditions

Degree of protection	IP66
Wireless set	Control box (with bore holes incl. sealing plugs, screw connections, and DIN rail)

#### General

Housing material	Polycarbonate
------------------	---------------

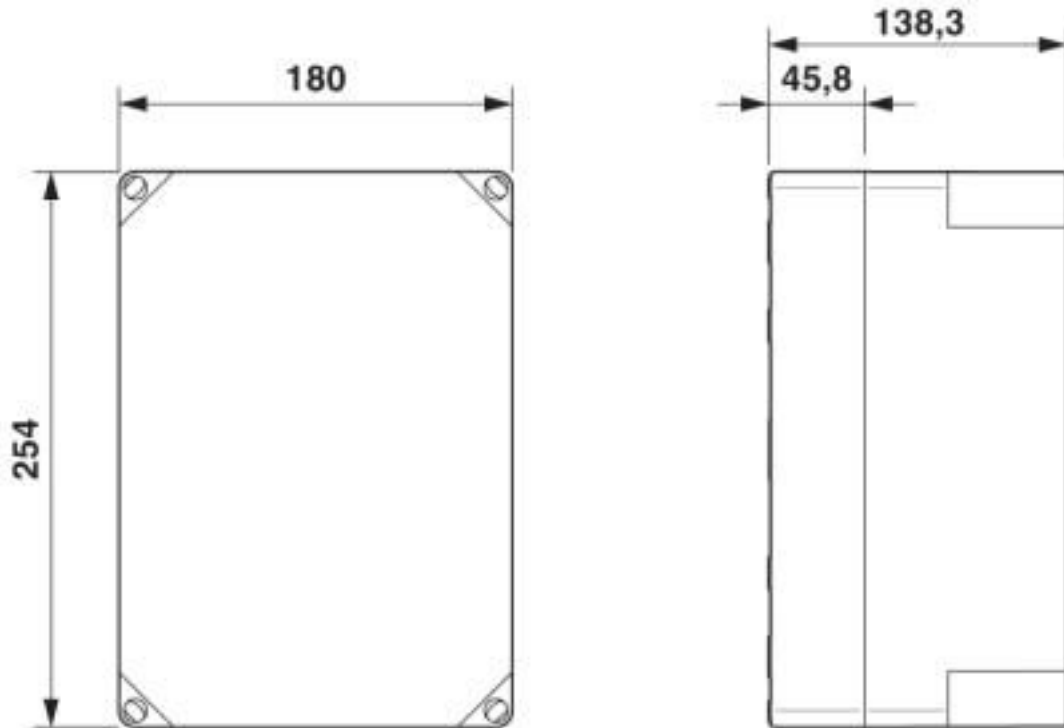
#### Environmental Product Compliance

China RoHS	For details about hazardous substances go to tab "Downloads", Category "Manufacturer's declaration"
------------	---

### Drawings

# Control box - FL RUGGED BOX - 2701204

Dimensional drawing



## Classifications

### eCl@ss

eCl@ss 10.0.1	27180590
eCl@ss 4.0	27240600
eCl@ss 4.1	27240600
eCl@ss 5.0	27242200
eCl@ss 5.1	27180100
eCl@ss 6.0	27180100
eCl@ss 7.0	27180190
eCl@ss 8.0	27180190
eCl@ss 9.0	27180590

### ETIM

ETIM 3.0	EC001423
ETIM 4.0	EC001423
ETIM 5.0	EC002499
ETIM 6.0	EC000261
ETIM 7.0	EC000261

### UNSPSC

UNSPSC 6.01	43172710
-------------	----------

# Control box - FL RUGGED BOX - 2701204

## Classifications

### UNSPSC

UNSPSC 7.0901	43223108
UNSPSC 11	43172710
UNSPSC 12.01	43223108
UNSPSC 13.2	31261502
UNSPSC 19.0	31261502

## Accessories

### Accessories

#### Mounting material

Mounting material - FL RUGGED BOX POLE SET - 2701205



Set for mast mounting of the FL RUGGED BOX housing, incl. screw clamps for masts up to a diameter of 89 mm

---

## WLAN Ethernet device

Wireless module - FL WLAN 5100 - 2700718



ALTERNATIVE- ARTICLE: FL WLAN 5110 (1043193)  
WLAN access point, client, WLAN 802.11 a, b, g, n, frequency 2.4 GHz, 5 GHz, IP20, connections: COMBICON for 10 ...36 V DC, 2x RJ45 for LAN, central cluster management, WBM, 802.11i

## X-ON Electronics

Largest Supplier of Electrical and Electronic Components

*Click to view similar products for* [Enclosures, Boxes & Cases](#) *category:*

*Click to view products by* [Phoenix Contact](#) *manufacturer:*

Other Similar products are found below :

[585-R-WH-PK](#) [M-10-PLATED](#) [60221-01](#) [60566-01-000](#) [HPL-9VB BATT DOOR](#) [M18-PLTD](#) [M-21-PLATED](#) [63310-01-000](#) [6711GSKT](#)  
[71884-29-028](#) [LH45-100 Black](#) [72868-510-000](#) [CNS-0000 Black](#) [72883-510-000](#) [CNS-0101 Black](#) [72906-510-000](#) [CNS-0407 Black](#) [73092-](#)  
[510-000](#) [CNM-0101 Black](#) [73105-510-000](#) [CNL-0101 Black](#) [73108-510-000](#) [CNL-0303 Black](#) [73395-510-039](#) [CNS-0006 Bone](#) [74257-510-000](#)  
[CNL-0004](#) [MDC-1183-PLAIN-ALUM](#) [MDC-1183-PTD](#) [MDC-13104-PTD](#) [MDC-321-PTD](#) [MDC-973-PTD](#) [76](#) [77153-01-028](#) [FLX6030](#)  
[83535-01-508](#) [90026-501-000](#) [PS36-200](#) [116-508](#) [120-407](#) [120-910](#) [127-908](#) [130-008](#) [1301170079](#) [1322GSKTEP](#) [1325GSKT3](#) [1434-1210](#)  
[EAS-500 \(BLACK ANO\)](#) [1804RP-RB-PK](#) [190-005](#) [2202307](#) [KAB3321 BLACK](#) [KAB3421](#) [2697466](#) [S52213](#) [2901123](#) [2901699](#) [A0645271](#)  
[A20P20](#) [2106-IR](#) [PERF-850-PLN](#)