

Safety relays - PSR-MC70-2NO-1DO-24DC-SP - 2702095

Please be informed that the data shown in this PDF Document is generated from our Online Catalog. Please find the complete data in the user's documentation. Our General Terms of Use for Downloads are valid (<http://phoenixcontact.com/download>)



Safety relay for emergency stop, safety doors, light grid up to SILCL 1, Cat. 1, PL e, 1- or 2-channel operation, cross-circuit detection, can be retriggered, fall back/on delay 0.2 s to 60 s, 2 enabling current paths, $U_S = 24 \text{ V DC}$, pluggable Push-in terminal block


The figure shows a version with a screw connection

Your advantages

- ✓ Up to Cat. 1/PL c according to ISO 13849-1, SILCL 1 according to IEC 62061
- ✓ Depending on the application, up to Cat.3/PL e according to ISO 13849-1, SILCL 3 according to IEC 62061
- ✓ Low housing width of just 12.5 mm
- ✓ Single and two-channel control
- ✓ 2 enabling current paths, 1 digital signal output
- ✓ Manually monitored and automatic activation in a single device



Key Commercial Data

| | |
|--------------|---|
| Packing unit | 1 pc |
| GTIN |  4 046356 952477 |
| GTIN | 4046356952477 |

Technical data

Note

| | |
|-------------------------|---|
| Utilization restriction | EMC: class A product, see manufacturer's declaration in the download area |
|-------------------------|---|

Dimensions

| | |
|--------|----------|
| Width | 12.5 mm |
| Height | 116.6 mm |
| Depth | 114.5 mm |

Ambient conditions

| | |
|---|-------------------------------------|
| Ambient temperature (operation) | -35 °C ... 60 °C (observe derating) |
| Ambient temperature (storage/transport) | -40 °C ... 85 °C |

Safety relays - PSR-MC70-2NO-1DO-24DC-SP - 2702095

Technical data

Ambient conditions

| | |
|--|---|
| Max. permissible relative humidity (operation) | 75 % (on average, 85% infrequently, non-condensing) |
| Max. permissible humidity (storage/transport) | 75 % (on average, 85% infrequently, non-condensing) |
| Maximum altitude | ≤ 2000 m (Above sea level) |

Power supply

| | |
|--|---|
| Designation | A1/A2 |
| Rated control circuit supply voltage U_s | 24 V DC -20 % / +25 % |
| | 19.2 V DC ... 30 V DC |
| Rated control supply current I_s | typ. 50 mA |
| Power consumption at U_s | typ. 1.2 W |
| Inrush current | typ. 25 A ($\Delta t = 10 \mu s$ at U_s) |
| Filter time | 10 ms (For the logic. At A1 in the event of voltage dips at U_s) |
| Protective circuit | Surge protection Suppressor diode |
| | Protection against polarity reversal for rated control circuit supply voltage |

Digital inputs

| | |
|---|---|
| Input name | Sensor circuit |
| | S12, S22 |
| Description of the input | safety-related sensor inputs |
| Number of inputs | 2 |
| Input voltage range "0" signal | 0 V DC ... 5 V DC |
| Input current range "0" signal | 0 mA ... 2 mA |
| Inrush current | < 11 mA (typically with U_s) |
| Current consumption | < 4.1 mA (typically with U_s) |
| Filter time | max. 3 ms (Test pulse width of low test pulses) |
| | min. 21 ms (Test pulse rate for low test pulse) |
| | Test pulse rate = 7 x Test pulse width |
| Max. permissible overall conductor resistance | 150 Ω |
| Concurrence input 1/2 | ∞ |
| Limit frequency | min. 0 Hz |
| | max. 1 Hz |
| Input name | Start circuit |
| | S34 |
| Description of the input | non-safety-related |
| Number of inputs | 1 |
| Inrush current | < 8.6 mA (typically with U_s) |
| Current consumption | < 3.2 mA (typically with U_s) |
| Filter time | max. 3 ms (Test pulse width of low test pulses) |
| | min. 21 ms (Test pulse rate for low test pulse) |
| | Test pulse rate = 7 x Test pulse width |
| Max. permissible overall conductor resistance | 150 Ω |

Safety relays - PSR-MC70-2NO-1DO-24DC-SP - 2702095

Technical data

Relay outputs: enabling current path

| | |
|-----------------------------|---|
| Output name | Enabling current paths |
| | 13/14, 27/28 |
| Output description | safety-related N/O contacts |
| Number of outputs | 1 (undelayed, single-channel) |
| | 1 (delayed, single-channel) |
| Contact type | 2 enabling current paths |
| Contact material | AgSnO ₂ |
| Switching voltage | min. 12 V AC/DC |
| | max. 250 V AC/DC (Observe the load curve) |
| Limiting continuous current | 6 A (observe derating) |
| Inrush current | min. 3 mA |
| | max. 6 A |
| Sq. Total current | 72 A ² (observe derating) |
| Switching capacity | min. 60 mW |
| Mechanical service life | 10x 10 ⁶ cycles |
| Output fuse | 6 A gL/gG (N/O contact) |
| | 4 A gL/gG (for low-demand applications) |

Alarm outputs

| | |
|--------------------------|--|
| Designation | M1 |
| Output description | PNP |
| | non-safety-related |
| Number of outputs | 1 |
| Voltage | approx. 23 V DC (U _S - 1 V) |
| Current | max. 100 mA |
| Maximum inrush current | 500 mA (Δt = 1 ms at U _S) |
| Short-circuit protection | Yes |

Times

| | |
|-----------------------------|---|
| Typical response time at US | < 35 ms (automatic start) |
| | < 30 ms (manual, monitored start) |
| Typical release time at US | < 20 ms (when controlled via S12 (only for undelayed contact 13/14)) |
| | < 5 ms (when interrupted via A1; applicative deactivation via A1/A2 is not permitted) |
| Delay time range | 0.2 s ... 60 s ±5 % (can be set for 27/28) |
| Restart time | < 1 s (Boot time) |

General

| | |
|------------------------|--|
| Relay type | Electromechanical relay with force-guided contacts in accordance with IEC/EN 61810-3 |
| Nominal operating mode | 100% operating factor |
| Net weight | 126.6 g |
| Mounting position | vertical or horizontal |

Safety relays - PSR-MC70-2NO-1DO-24DC-SP - 2702095

Technical data

General

| | |
|---|--------------------|
| Mounting type | DIN rail mounting |
| Assembly instructions | See derating curve |
| Degree of protection | IP20 |
| Min. degree of protection of inst. location | IP54 |
| Housing material | PBT |
| Housing color | yellow |
| Status display | 5 x bi-color LED |

Connection data

| | |
|--|--|
| Connection method | Push-in connection |
| pluggable | Yes |
| Conductor cross section solid | 0.2 mm ² ... 1.5 mm ² |
| Conductor cross section flexible | 0.2 mm ² ... 1.5 mm ² |
| Conductor cross-section AWG | 24 ... 16 |
| Conductor cross-section flexible with ferrule without plastic sleeve | 0.25 mm ² ... 1.5 mm ² (only together with CRIMPFOX 6) |
| Conductor cross-section flexible with ferrule and plastic sleeve | 0.25 mm ² ... 1.5 mm ² (only together with CRIMPFOX 6) |
| Stripping length | 8 mm |

Safety-related characteristic data

| | |
|---|--|
| Stop category | 1 |
| Designation | IEC 61508 - High demand |
| Safety Integrity Level (SIL) | 1 (up to SIL 3 depending on the application) |
| Designation | EN ISO 13849 |
| Performance level (PL) | c (up to PL e depending on the application) |
| Category | 1 (up to Cat. 3 depending on the application) |
| Designation | EN 62061 |
| Safety Integrity Level Claim Limit (SIL CL) | 1 (up to SILCL 3 depending on the application) |

Standards and Regulations

| | |
|--------------------------------|---|
| Designation | Air clearances and creepage distances between the power circuits |
| Standards/regulations | DIN EN 50178 |
| Rated insulation voltage | 250 V AC |
| | 250 V AC |
| Rated surge voltage/insulation | Basic insulation 4 kV: between all current paths and housing Safe isolation, reinforced insulation 6 kV: between (A1, A2, S11, S12, S21, S22, S34, M1) and enabling current path (13/14) between (A1, A2, S11, S12, S21, S22, S34, M1) and enabling current path (27/28) between enabling current paths |
| Degree of pollution | 2 |
| Overvoltage category | III |
| Shock | 15g |
| Vibration (operation) | 10 Hz ... 150 Hz, 2g |

Safety relays - PSR-MC70-2NO-1DO-24DC-SP - 2702095

Technical data

Standards and Regulations

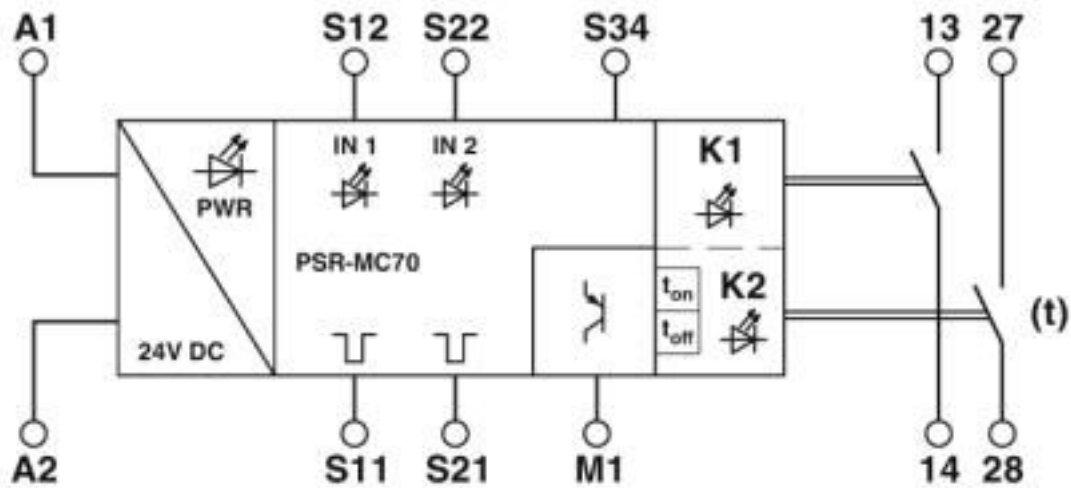
| | |
|-------------|--------------|
| Conformance | CE-compliant |
|-------------|--------------|

Environmental Product Compliance

| | |
|------------|---|
| REACH SVHC | Lead 7439-92-1 |
| China RoHS | Environmentally Friendly Use Period = 50 years |
| | For details about hazardous substances go to tab "Downloads", Category "Manufacturer's declaration" |

Drawings

Block diagram



Safety relays - PSR-MC70-2NO-1DO-24DC-SP - 2702095

Classifications

UNSPSC

| | |
|-------------|----------|
| UNSPSC 18.0 | 39122205 |
| UNSPSC 19.0 | 39122205 |
| UNSPSC 20.0 | 39122205 |
| UNSPSC 21.0 | 39122205 |

Approvals

Approvals

Approvals

UL Listed / cUL Listed / Functional Safety / cULus Listed

Ex Approvals

Approval details

| | | | |
|-----------|--|---|---------------|
| UL Listed | | http://database.ul.com/cgi-bin/XYV/template/LISEXT/1FRAME/index.htm | FILE E 140324 |
|-----------|--|---|---------------|

| | | | |
|------------|--|---|---------------|
| cUL Listed | | http://database.ul.com/cgi-bin/XYV/template/LISEXT/1FRAME/index.htm | FILE E 140324 |
|------------|--|---|---------------|

| | | | |
|-------------------|--|--|-------------------|
| Functional Safety | | | 01/205/5485.00/16 |
|-------------------|--|--|-------------------|

| | | | |
|--------------|--|--|--|
| cULus Listed | | | |
|--------------|--|--|--|

Phoenix Contact 2020 © - all rights reserved
<http://www.phoenixcontact.com>

PHOENIX CONTACT GmbH & Co. KG
Flachsmarktstr. 8
32825 Blomberg
Germany
Tel. +49 5235 300
Fax +49 5235 3 41200
<http://www.phoenixcontact.com>

X-ON Electronics

Largest Supplier of Electrical and Electronic Components

Click to view similar products for [Safety Relays](#) category:

Click to view products by [Phoenix Contact](#) manufacturer:

Other Similar products are found below :

[7-1618103-5](#) [1351-1X](#) [1618082-4](#) [1618111-1](#) [C200HDA003](#) [C200HMR432](#) [C200HMR832](#) [C200HMR833](#) [C28PEDRA](#) [20-050-36X](#)
[C500ETL01](#) [C500OD415CN](#) [2-1618068-0](#) [9-1618103-2](#) [SP10-ETL01](#) [22-060X](#) [C200HNC112](#) [C200HOD214](#) [C500CN812N](#) [4NK0AQY](#)
[1100X](#) [1100-42X](#) [V23050A1012A551](#) [6-1618082-4](#) [7-1618103-6](#) [WTD-101X](#) [SP16DRD](#) [SP16DRA](#) [C500-CE243](#) [C500-IDS02-V1](#)
[607.5111.020](#) [DOLD 48173](#) [CS AR-02V024](#) [CS AR-22V024](#) [CS AR-22V230](#) [CS AR-46V024](#) [750136](#) [PSR-MS21-1NO-1DO-24DC-SC](#)
[600PSR-165/300-CU](#) [J73KN-AM-22](#) [SR6V6K18](#) [SR4M4005](#) [BPS 36-1](#) [BP34 - 101057553](#) [2TLA010033R3000](#) [2TLA010033R2000](#)
[2TLA010033R0000](#) [2TLA010028R1000](#) [2TLA010017R0100](#) [2TLA010026R0400](#)