

# Antenna - ANT-OMNI-868-01 - 2702136

Please be informed that the data shown in this PDF Document is generated from our Online Catalog. Please find the complete data in the user's documentation. Our General Terms of Use for Downloads are valid (<http://phoenixcontact.com/download>)




Omnidirectional antenna, 868 MHz, gain: 4 dBi, polarization: linear, opening angle: h/v 360°/30°, degree of protection: IP67, seawater-resistant, connection: N (female), incl. mounting bracket and mast clips, ATEX and IECEx approval

## Your advantages

- For use in potentially explosive areas
- For medium distances
- For freely mobile applications
- For multipoint or mesh connections



## Key Commercial Data

Packing unit	1 pc
GTIN	 4 046356 995863
GTIN	4046356995863

## Technical data

### Dimensions

Height	620 mm
Diameter	20 mm

### Ambient conditions

Degree of protection	IP67
Ambient temperature (operation)	-40 °C ... 75 °C
Ambient temperature (storage/transport)	-40 °C ... 85 °C

### General

Frequency range	868 MHz
	868 MHz ... 870 MHz
Horizontal beamwidth	360 °
Vertical beamwidth	30 °

# Antenna - ANT-OMNI-868-01 - 2702136

## Technical data

### General

Polarization	Linear vertical
Impedance	50 Ω
Gain	4 dBi
Connection method	N (female)
Material	Fiberglass-reinforced plastic (Antenna housing)
	Fiberglass-reinforced plastic (Bracket)
	V2A (U-shaped screw)
Mounting type	Mast mounting or wall mounting
External diameter	30 mm ... 45 mm (Mast)

### Conformance/approvals

Designation	CE
Identification	CE-compliant
Designation	ATEX
Identification	# II 1G Ex ia IIC T6 Ga
Certificate	IBExU14 ATEX1116X
Additional text	Please follow the special installation instructions in the documentation!
Designation	IECEX
Identification	Ex ia IIC T6 Ga
Certificate	IBE 14.0039X

### Standards and Regulations

Standards/specifications	EN 60079-0 EN 60079-11 EN 60079-26
--------------------------	------------------------------------

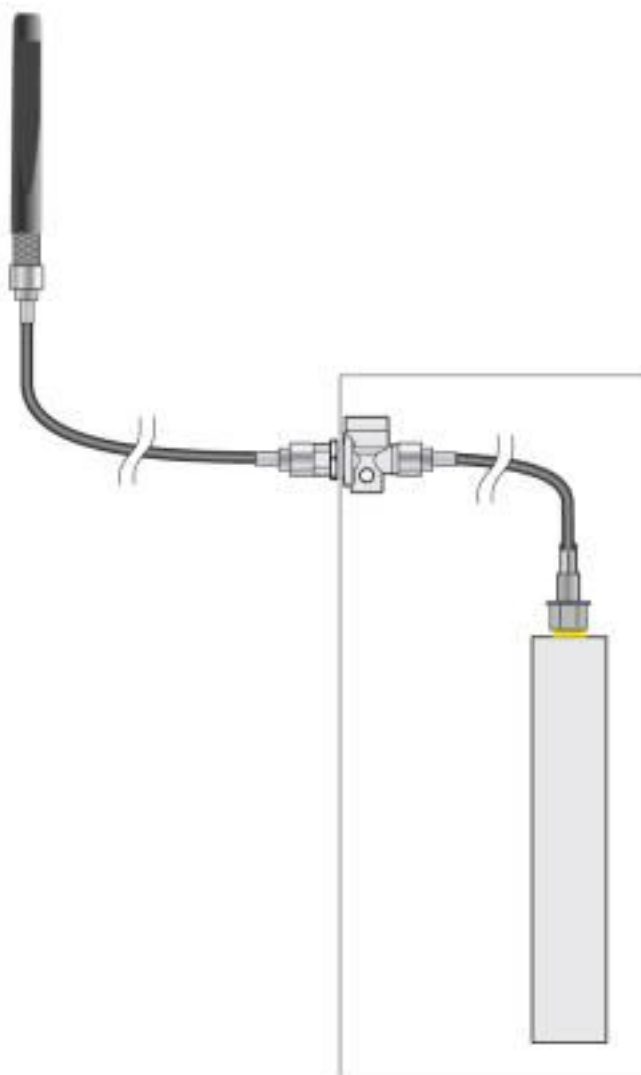
### Environmental Product Compliance

REACH SVHC	Lead 7439-92-1
China RoHS	Environmentally Friendly Use Period = 50 years
	For details about hazardous substances go to tab "Downloads", Category "Manufacturer's declaration"

## Drawings

## Antenna - ANT-OMNI-868-01 - 2702136

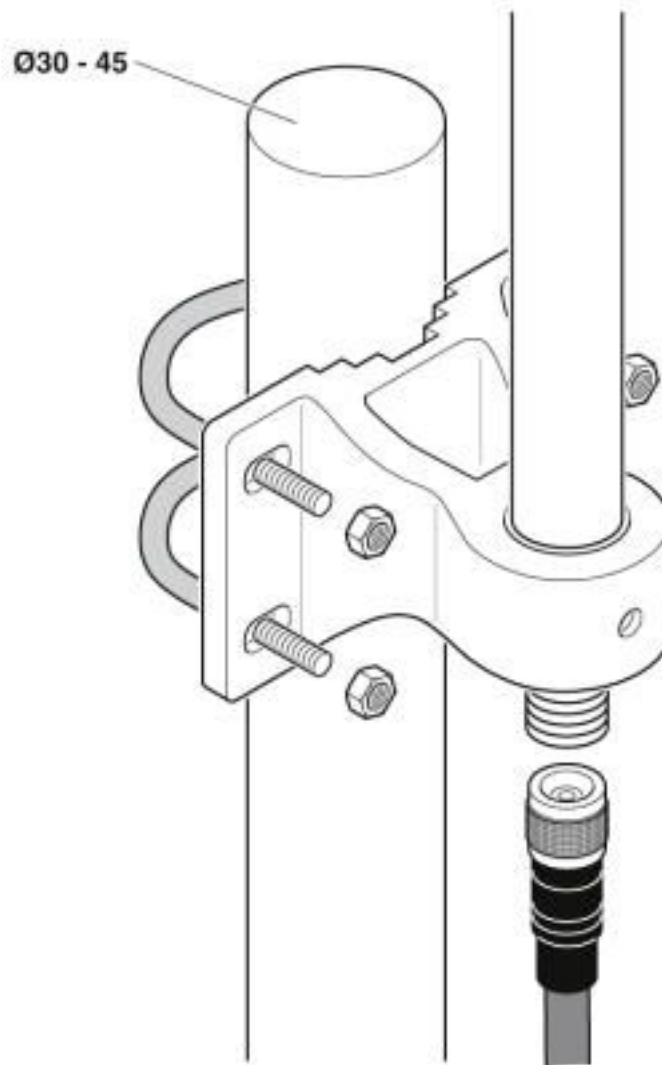
Schematic diagram



Installation example

# Antenna - ANT-OMNI-868-01 - 2702136

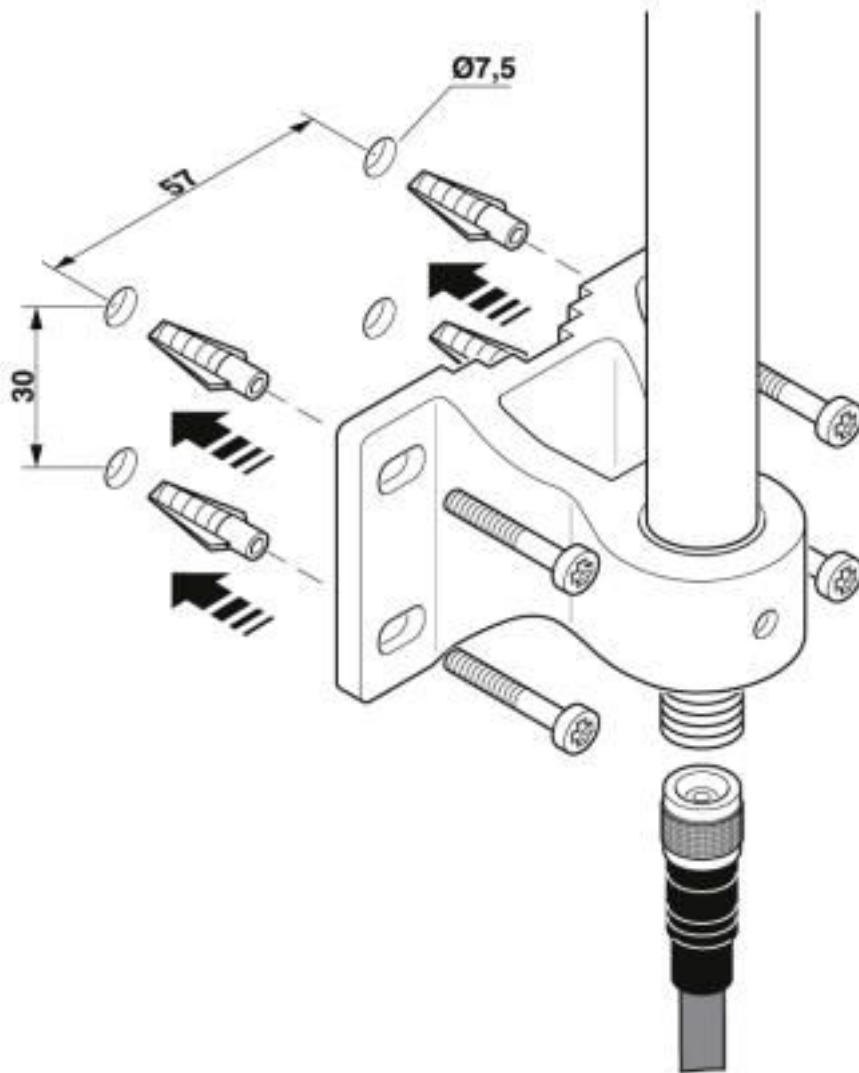
Schematic diagram



Mast mounting

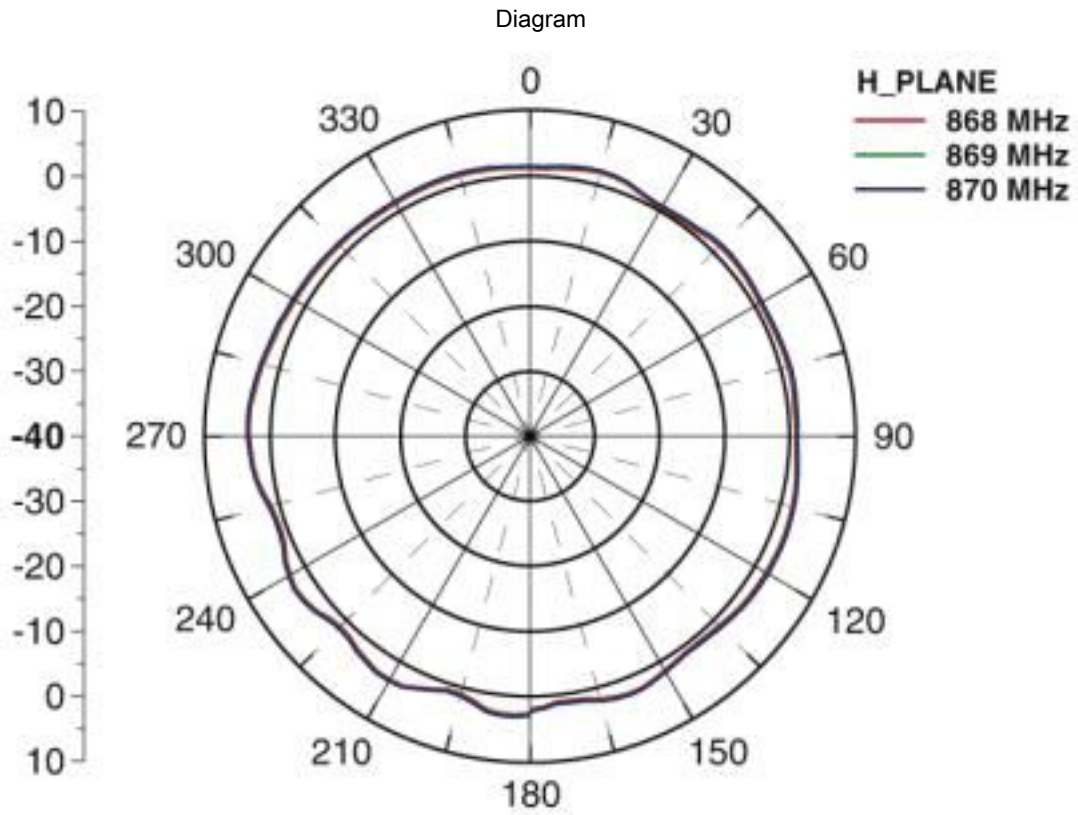
# Antenna - ANT-OMNI-868-01 - 2702136

Schematic diagram



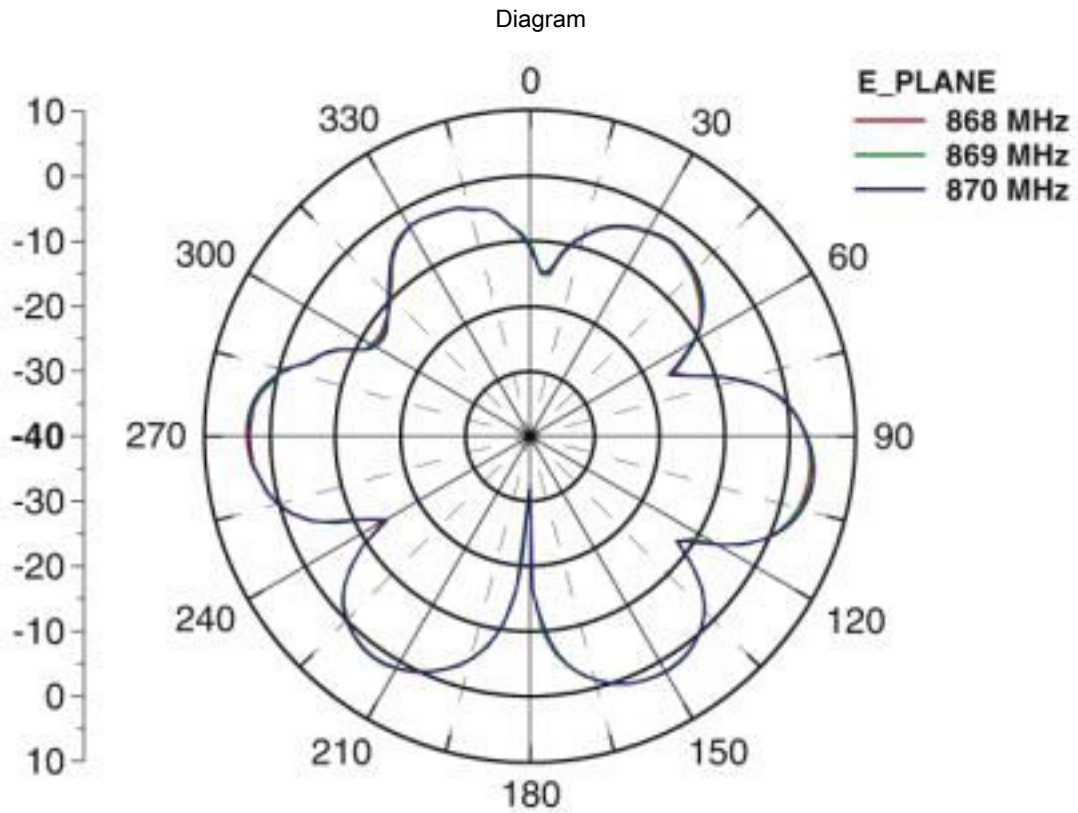
Wall mounting

# Antenna - ANT-OMNI-868-01 - 2702136



Horizontal

# Antenna - ANT-OMNI-868-01 - 2702136



Vertical

## Classifications

eCl@ss

eCl@ss 10.0.1	19070102
eCl@ss 5.0	19070100
eCl@ss 5.1	19070100
eCl@ss 6.0	19070100
eCl@ss 7.0	19070102
eCl@ss 8.0	19070102
eCl@ss 9.0	19070102

ETIM

ETIM 4.0	EC000416
ETIM 5.0	EC000416
ETIM 6.0	EC000416
ETIM 7.0	EC000416

## Accessories

Accessories

Coaxial cable

## Antenna - ANT-OMNI-868-01 - 2702136

### Accessories

#### Antenna cable - RAD-PIG-RSMA/N-0.5 - 2903263



Antenna cable, outside diameter: 5 mm (0.2 in.), inner conductor: solid, attenuation: 0.4 / 0.5 / 0.6 dB at 0.9 / 2.4 / 5.8 GHz, connection: N (male) -> RSMA (male), cable length: 0.5 m (1.6 ft.)

---

#### Antenna cable - RAD-PIG-RSMA/N-1 - 2903264



Antenna cable, outside diameter: 5 mm (0.2 in.), inner conductor: solid, attenuation: 0.5 / 0.8 / 1.1 dB at 0.9 / 2.4 / 5.8 GHz, connection: N (male) -> RSMA (male), cable length: 1 m (3.3 ft.)

---

#### Antenna cable - RAD-PIG-RSMA/N-2 - 2903265



Antenna cable, outside diameter: 5 mm (0.2 in.), inner conductor: solid, attenuation: 0.9 / 1.3 / 2.0 dB at 0.9 / 2.4 / 5.8 GHz, connection: N (male) -> RSMA (male), cable length: 2 m (6.5 ft.)

---

#### Antenna cable - RAD-PIG-RSMA/N-3 - 2903266



Antenna cable, outside diameter: 5 mm (0.2 in.), inner conductor: solid, attenuation: 1.2 / 2.0 / 3.0 dB at 0.9 / 2.4 / 5.8 GHz, connection: N (male) -> RSMA (male), cable length: 3 m (10 ft.)

---

#### Antenna cable - RAD-PIG-RSMA/N-5 - 2702140



Antenna cable, outside diameter: 5 mm (0.2 in.), inner conductor: solid, attenuation: 2.0 / 3.3 / 4.8 dB at 0.9 / 2.4 / 5.8 GHz, connection: N (male) -> RSMA (male), cable length: 5 m (16 ft.)

---

Trusted Wireless device



## Antenna - ANT-OMNI-868-01 - 2702136

### Accessories

Wireless module - RAD-868-IFS - 2904909



Radioline - 868 MHz wireless transceiver with RS-232/RS-485 interface, can be extended with I/O modules, RSMA (female) antenna connection, point-to-point, star, and mesh networks up to 99 stations, range of up to 20 km (with a clear line of sight), for use in Europe

---

Phoenix Contact 2020 © - all rights reserved  
<http://www.phoenixcontact.com>

PHOENIX CONTACT GmbH & Co. KG  
Flachsmarktstr. 8  
32825 Blomberg  
Germany  
Tel. +49 5235 300  
Fax +49 5235 3 41200  
<http://www.phoenixcontact.com>

## X-ON Electronics

Largest Supplier of Electrical and Electronic Components

*Click to view similar products for [Antennas](#) category:*

*Click to view products by [Phoenix Contact](#) manufacturer:*

Other Similar products are found below :

[GAN30084EU](#) [930-033-R](#) [GW17.07.0250E](#) [1513563-1](#) [EXE902SM](#) [APAMPG-117](#) [MAF94383](#) [W3908B0100](#) [W6102B0100](#) [YE572113-30RSMM](#) [108-00014-50](#) [66089-2406](#) [A09-F8NF-M](#) [A09-F5NF-M](#) [RGFRA1903041A1T](#) [W3593B0100](#) [W3921B0100](#) [SIMNA-868](#) [SIMNA-915](#) [SIMNA-433](#) [W1044](#) [W1049B090](#) [A75-001](#) [WTL2449CQ1-FRSMM](#) [CPL9C](#) [EXB148BN](#) [0600-00060](#) [TRA9020S3PBN-001](#) [GD5W-28P-NF](#) [MA9-7N](#) [GD53-25](#) [GD5W-21P-NF](#) [EXB144SM](#) [C37](#) [MAF94051](#) [GD35-17P-NF](#) [P1744](#) [MA9-5N](#) [EXD420PL](#) [B1322NR](#) [QWFTB120](#) [MAF94271](#) [MAF94300](#) [GPSMB301](#) [FG4403](#) [AO-AGSM-OM54](#) [5200232](#) [MIKROE-2349](#) [WCM.01.0111](#) [MIKROE-2393](#)