

# Antenna - ANT-DIR-868-01 - 2702137

Please be informed that the data shown in this PDF Document is generated from our Online Catalog. Please find the complete data in the user's documentation. Our General Terms of Use for Downloads are valid (<http://phoenixcontact.com/download>)

Directional antenna, 868 MHz, gain: 3.5 dBi, polarization: circular, opening angle: h/v 135°/90°, degree of protection: IP67, seawater-resistant, connection: N (female), incl. mounting bracket and mast clips, ATEX and IECEx approval




## Your advantages

- ✓ For use in potentially explosive areas
- ✓ Salt water resistant
- ✓ For applications in reflective environments
- ✓ For stationary or linear mobile applications
- ✓ For point-to-point connections



## Key Commercial Data

Packing unit	1 pc
GTIN	 4 055626 006512
GTIN	4055626006512

## Technical data

### Dimensions

Width	80 mm
Height	101 mm
Length	35 mm

### Ambient conditions

Degree of protection	IP67
Ambient temperature (operation)	-40 °C ... 75 °C
Ambient temperature (storage/transport)	-40 °C ... 80 °C

### General

Frequency range	868 MHz
	865 MHz ... 870 MHz
Horizontal beamwidth	135 °

# Antenna - ANT-DIR-868-01 - 2702137

## Technical data

### General

Vertical beamwidth	90 °
Polarization	Circular clockwise
Impedance	50 Ω
Gain	3.5 dBi
Wind velocity	160 km/h (Has a force of 15 N)
Connection method	N (female)
Material	Lexan EXL 9330 (Antenna housing)
	V2A (Bracket)
	V2A (Mast clamp)
Mounting type	Mast mounting or wall mounting
External diameter	25 mm ... 85 mm (Mast)

### Conformance/approvals

Designation	CE
Identification	CE-compliant
Designation	ATEX
Identification	# II 1G Ex ia IIC T6 Ga
Certificate	IBExU14 ATEX1116X
Additional text	Please follow the special installation instructions in the documentation!
Designation	IECEX
Identification	Ex ia IIC T6 Ga
Certificate	IBE 14.0039X

### Standards and Regulations

Standards/specifications	EN 60079-0 EN 60079-11 EN 60079-26
--------------------------	------------------------------------

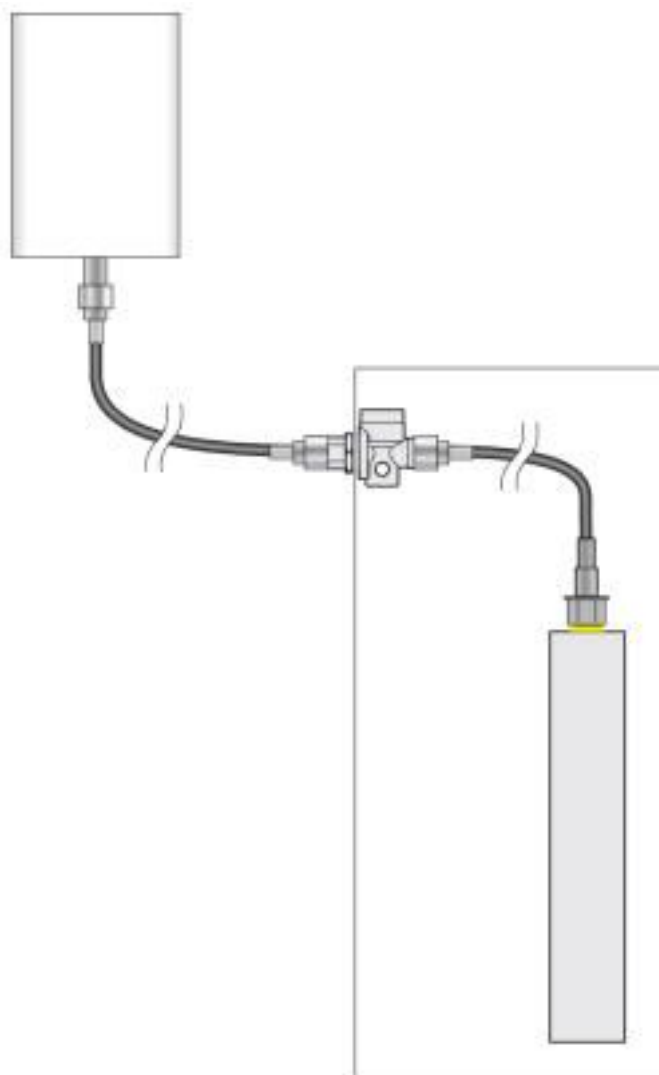
### Environmental Product Compliance

REACH SVHC	Lead 7439-92-1
China RoHS	Environmentally Friendly Use Period = 25;
	For details about hazardous substances go to tab "Downloads", Category "Manufacturer's declaration"

## Drawings

## Antenna - ANT-DIR-868-01 - 2702137

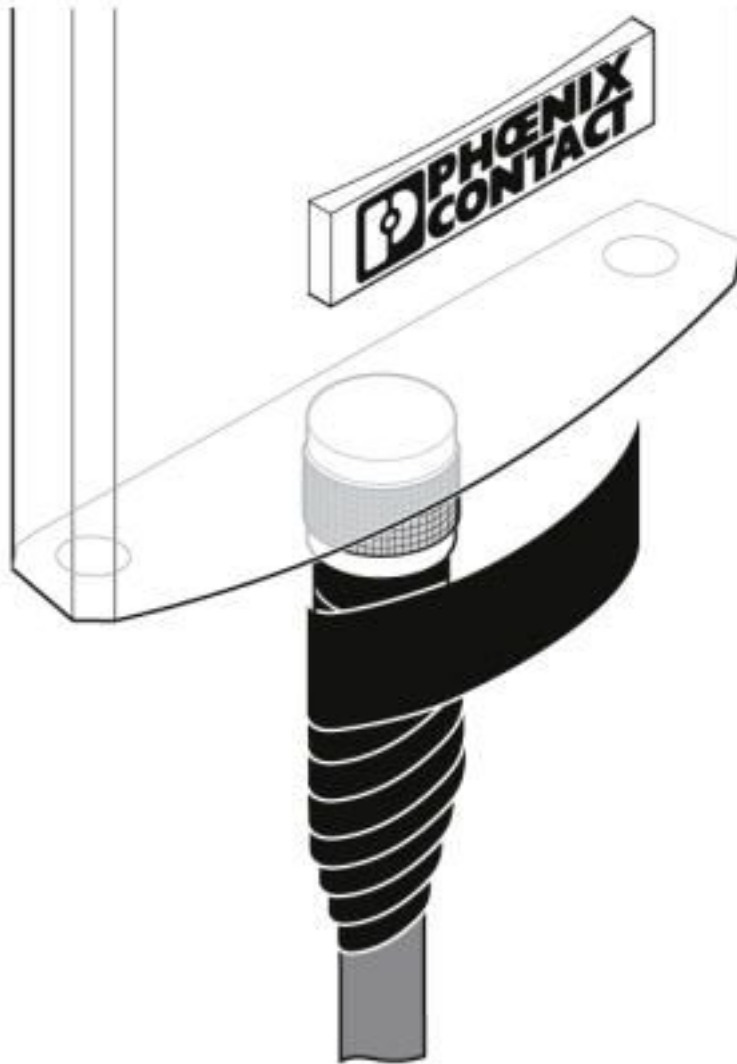
Schematic diagram



Installation example

## Antenna - ANT-DIR-868-01 - 2702137

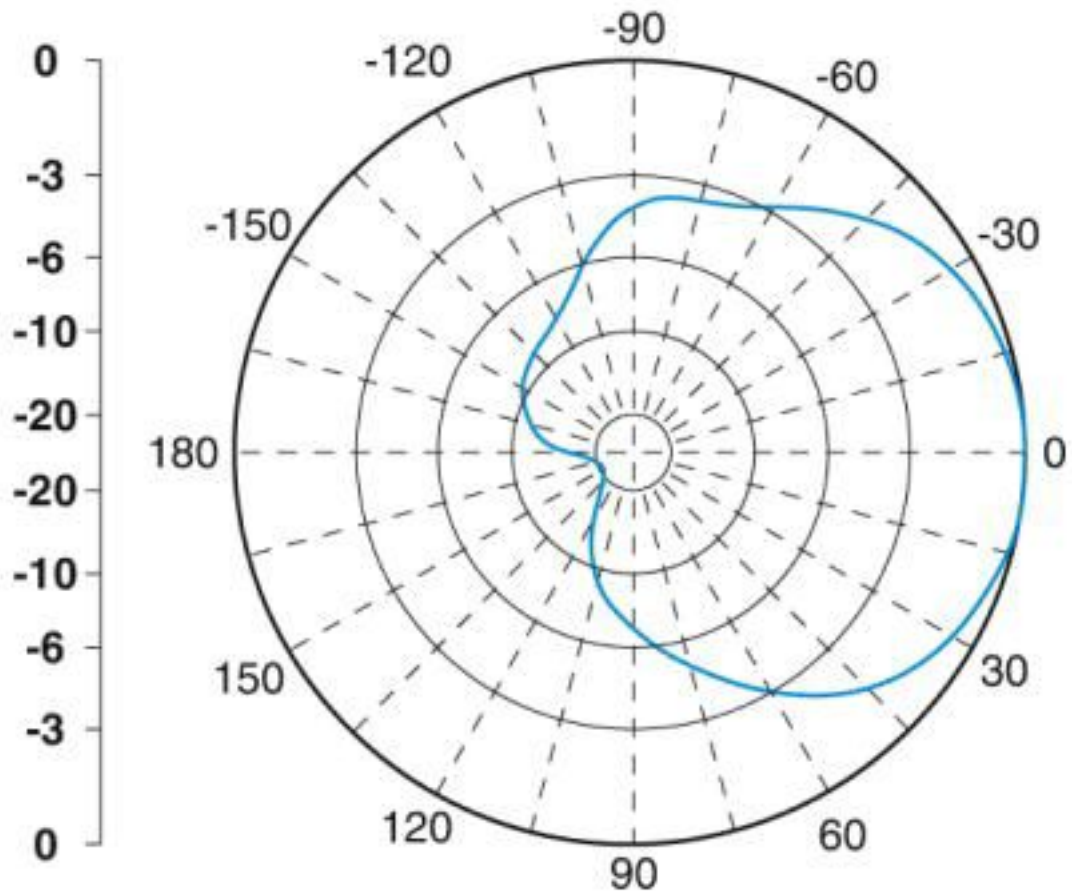
Schematic diagram



Sealing tape

# Antenna - ANT-DIR-868-01 - 2702137

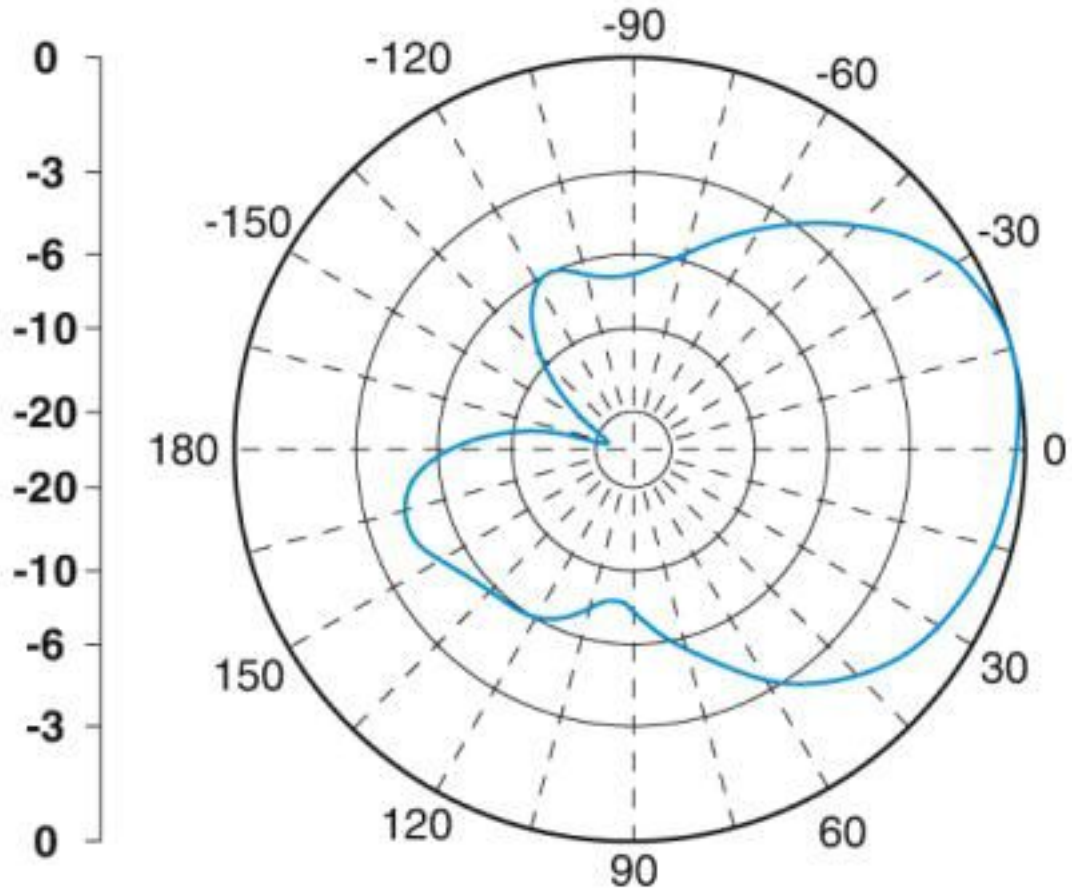
Diagram



Horizontal

# Antenna - ANT-DIR-868-01 - 2702137

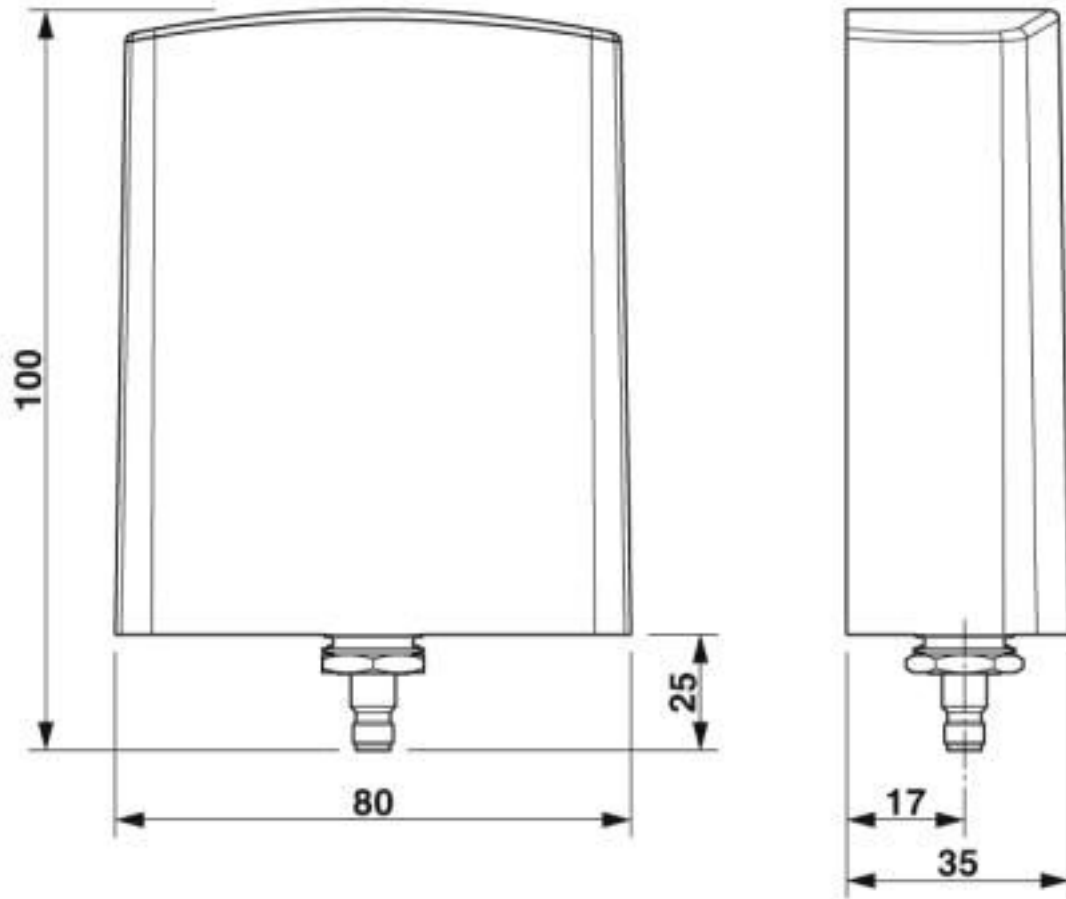
Diagram



Vertical

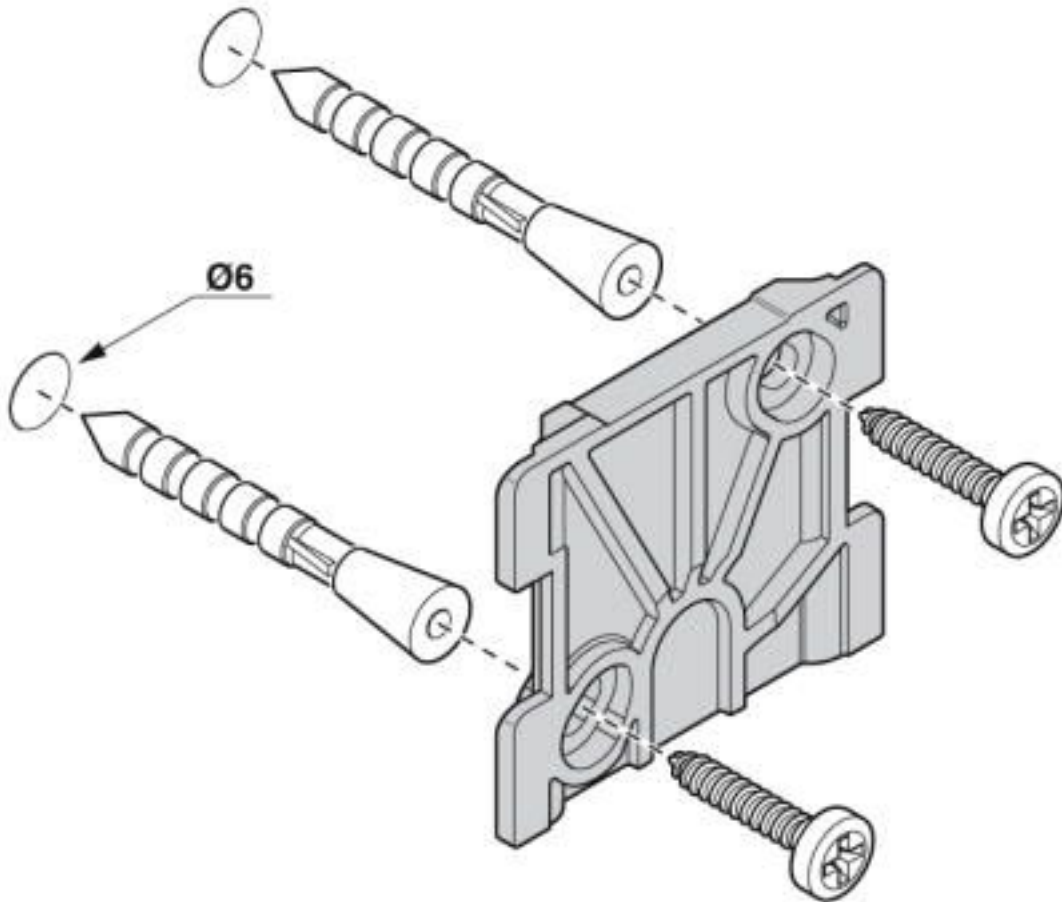
# Antenna - ANT-DIR-868-01 - 2702137

Dimensional drawing



# Antenna - ANT-DIR-868-01 - 2702137

Schematic diagram

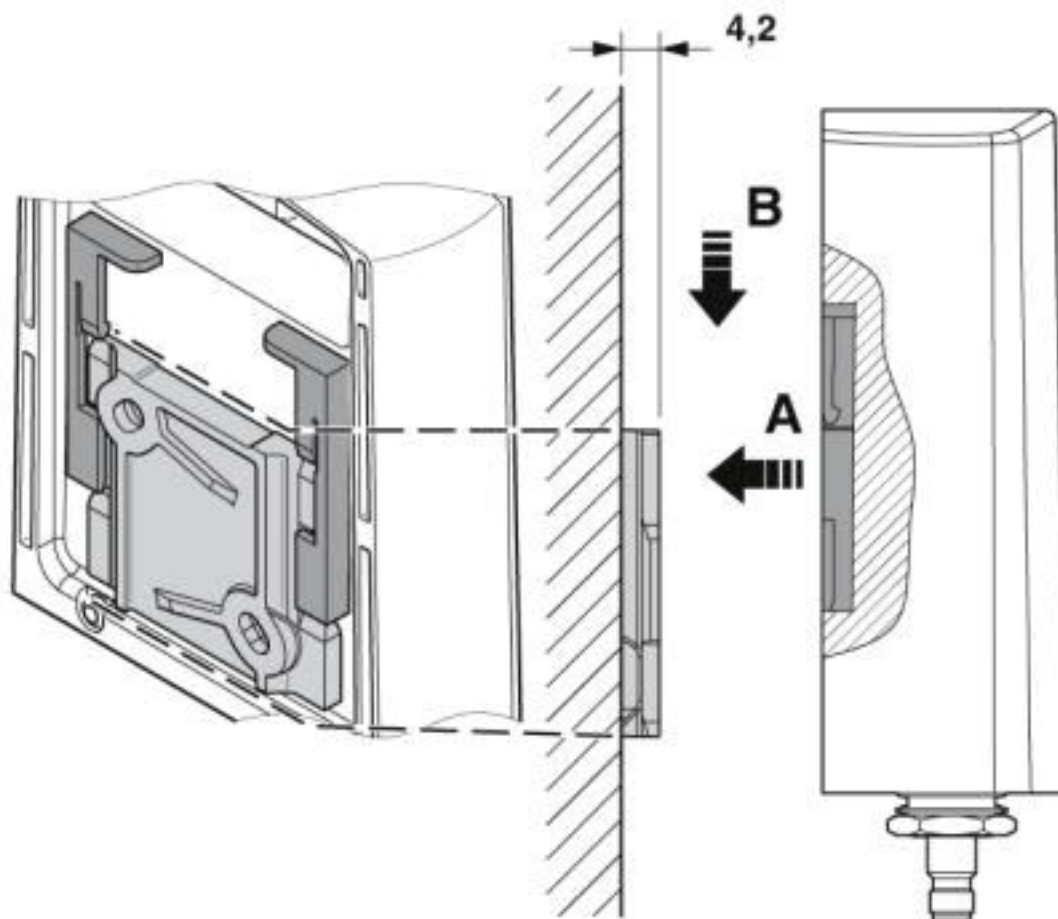


Mounting plate



# Antenna - ANT-DIR-868-01 - 2702137

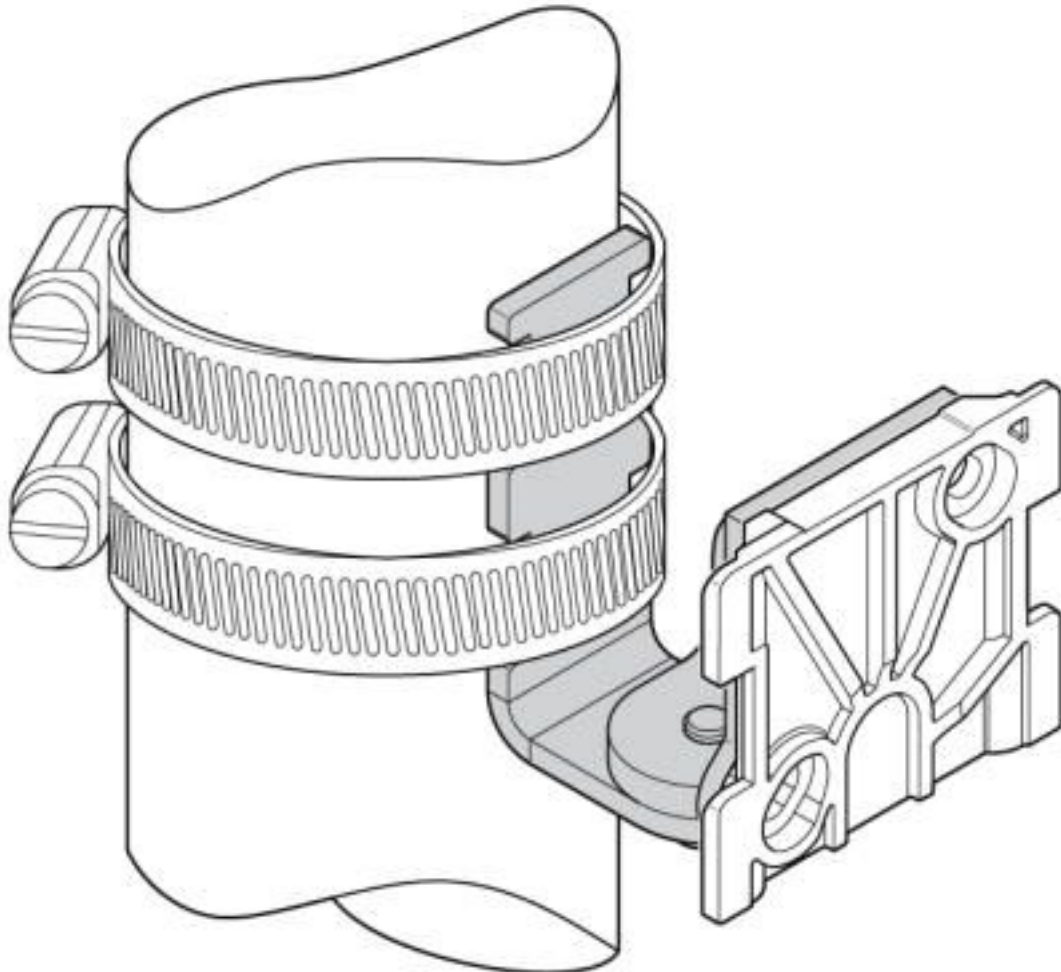
Schematic diagram



Wall mounting

# Antenna - ANT-DIR-868-01 - 2702137

Schematic diagram



Mast mounting

## Classifications

eCl@ss

eCl@ss 10.0.1	19070102
eCl@ss 5.0	19070100
eCl@ss 5.1	19070100
eCl@ss 6.0	19070100
eCl@ss 7.0	19070102
eCl@ss 8.0	19070102
eCl@ss 9.0	19070102

ETIM

ETIM 4.0	EC000416
ETIM 5.0	EC000416

# Antenna - ANT-DIR-868-01 - 2702137

## Classifications

### ETIM

ETIM 6.0	EC000416
ETIM 7.0	EC000416

## Accessories

### Accessories

#### Coaxial cable

##### Antenna cable - RAD-PIG-RSMA/N-0.5 - 2903263



Antenna cable, outside diameter: 5 mm (0.2 in.), inner conductor: solid, attenuation: 0.4 / 0.5 / 0.6 dB at 0.9 / 2.4 / 5.8 GHz, connection: N (male) -> RSMA (male), cable length: 0.5 m (1.6 ft.)

##### Antenna cable - RAD-PIG-RSMA/N-1 - 2903264



Antenna cable, outside diameter: 5 mm (0.2 in.), inner conductor: solid, attenuation: 0.5 / 0.8 / 1.1 dB at 0.9 / 2.4 / 5.8 GHz, connection: N (male) -> RSMA (male), cable length: 1 m (3.3 ft.)

##### Antenna cable - RAD-PIG-RSMA/N-2 - 2903265



Antenna cable, outside diameter: 5 mm (0.2 in.), inner conductor: solid, attenuation: 0.9 / 1.3 / 2.0 dB at 0.9 / 2.4 / 5.8 GHz, connection: N (male) -> RSMA (male), cable length: 2 m (6.5 ft.)

##### Antenna cable - RAD-PIG-RSMA/N-3 - 2903266



Antenna cable, outside diameter: 5 mm (0.2 in.), inner conductor: solid, attenuation: 1.2 / 2.0 / 3.0 dB at 0.9 / 2.4 / 5.8 GHz, connection: N (male) -> RSMA (male), cable length: 3 m (10 ft.)

## Antenna - ANT-DIR-868-01 - 2702137

### Accessories

Antenna cable - RAD-PIG-RSMA/N-5 - 2702140



Antenna cable, outside diameter: 5 mm (0.2 in.), inner conductor: solid, attenuation: 2.0 / 3.3 / 4.8 dB at 0.9 / 2.4 / 5.8 GHz, connection: N (male) -> RSMA (male), cable length: 5 m (16 ft.)

---

### Trusted Wireless device

Wireless module - RAD-868-IFS - 2904909



Radioline - 868 MHz wireless transceiver with RS-232/RS-485 interface, can be extended with I/O modules, RSMA (female) antenna connection, point-to-point, star, and mesh networks up to 99 stations, range of up to 20 km (with a clear line of sight), for use in Europe

---

Phoenix Contact 2020 © - all rights reserved  
<http://www.phoenixcontact.com>

PHOENIX CONTACT GmbH & Co. KG  
Flachsmarktstr. 8  
32825 Blomberg  
Germany  
Tel. +49 5235 300  
Fax +49 5235 3 41200  
<http://www.phoenixcontact.com>

## X-ON Electronics

Largest Supplier of Electrical and Electronic Components

*Click to view similar products for [Antennas](#) category:*

*Click to view products by [Phoenix Contact](#) manufacturer:*

Other Similar products are found below :

[GAN30084EU](#) [930-033-R](#) [GW17.07.0250E](#) [1513563-1](#) [EXE902SM](#) [APAMPG-117](#) [MAF94383](#) [W3908B0100](#) [W6102B0100](#) [YE572113-30RSMM](#) [108-00014-50](#) [66089-2406](#) [A09-F8NF-M](#) [A09-F5NF-M](#) [RGFRA1903041A1T](#) [W3593B0100](#) [W3921B0100](#) [SIMNA-868](#) [SIMNA-915](#) [SIMNA-433](#) [W1044](#) [W1049B090](#) [A75-001](#) [WTL2449CQ1-FRSMM](#) [CPL9C](#) [EXB148BN](#) [0600-00060](#) [TRA9020S3PBN-001](#) [GD5W-28P-NF](#) [MA9-7N](#) [GD53-25](#) [GD5W-21P-NF](#) [EXB144SM](#) [C37](#) [MAF94051](#) [GD35-17P-NF](#) [P1744](#) [MA9-5N](#) [EXD420PL](#) [B1322NR](#) [QWFTB120](#) [MAF94271](#) [MAF94300](#) [GPSMB301](#) [FG4403](#) [AO-AGSM-OM54](#) [5200232](#) [MIKROE-2349](#) [WCM.01.0111](#) [MIKROE-2393](#)