

Surge protection plug - TC EXTENDER PT-IQ-1S - 2702257


Please be informed that the data shown in this PDF Document is generated from our Online Catalog. Please find the complete data in the user's documentation. Our General Terms of Use for Downloads are valid (<http://phoenixcontact.com/download>)



Replaceable surge protection module, only for Ethernet extender TC EXTENDER 4001 ETH-1S (2702253), 1 SHDSL port, two-wire protection for floating SHDSL cables, two-level protective circuit



Key Commercial Data

Packing unit	1 pc
GTIN	 4 055626 057729
GTIN	4055626057729

Technical data

Dimensions

Width	22 mm
Height	96 mm
Depth	80 mm

Ambient conditions

Degree of protection	IP20
----------------------	------

General

Net weight	48.68 g
------------	---------

Standards and Regulations

Standards/specifications	IEC 61643-21
	IEC 60664-1
IEC test classification	B1
	C1
	C2
	C3
	D1
Noxious gas test	ISA-S71.04-1985 G3 Harsh Group A

Surge protection plug - TC EXTENDER PT-IQ-1S - 2702257

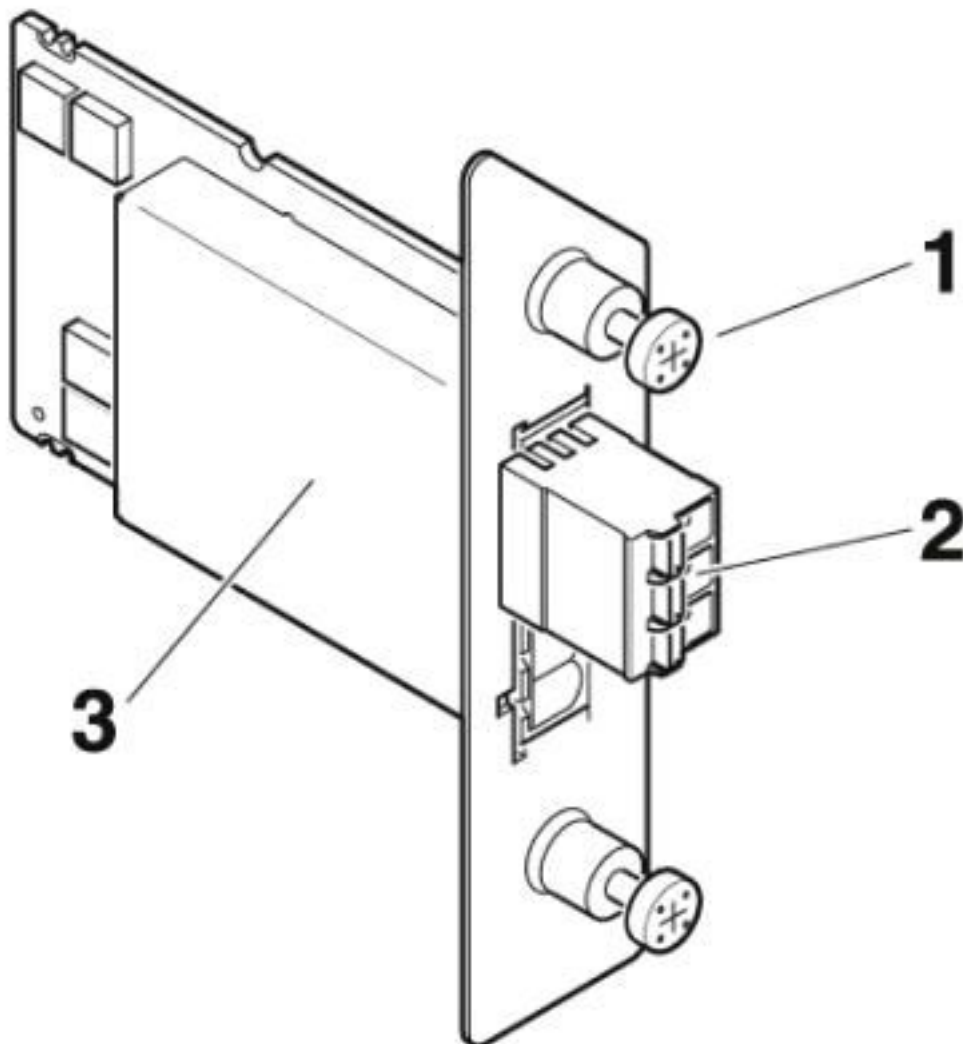
Technical data

Environmental Product Compliance

China RoHS	Environmentally Friendly Use Period = 50 years
	For details about hazardous substances go to tab "Downloads", Category "Manufacturer's declaration"

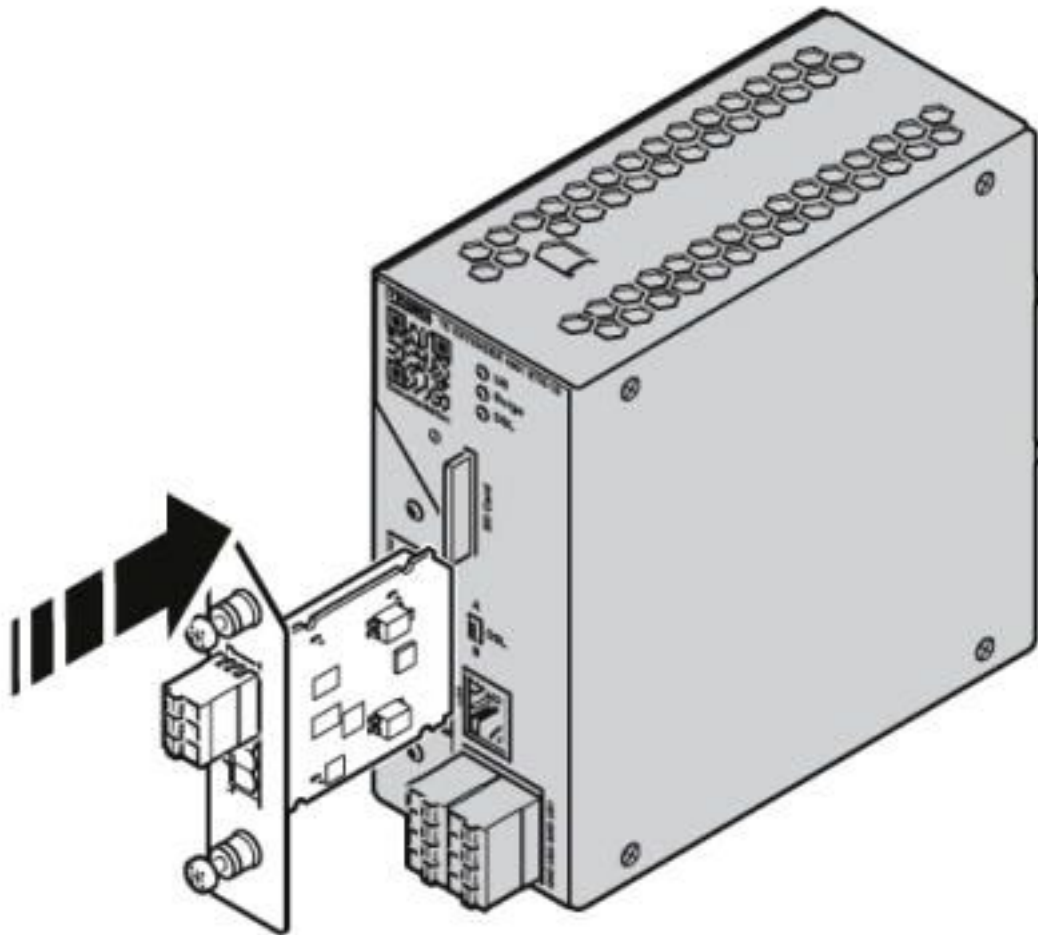
Drawings

Schematic diagram



Surge protection plug - TC EXTENDER PT-IQ-1S - 2702257

Schematic diagram



Replacement of protective module

Classifications

eCl@ss

eCl@ss 10.0.1	27130807
eCl@ss 5.0	27242200
eCl@ss 5.1	27242200
eCl@ss 6.0	27130800
eCl@ss 7.0	27130807
eCl@ss 8.0	27130807
eCl@ss 9.0	27130807

ETIM

ETIM 2.0	EC000943
ETIM 3.0	EC000943
ETIM 4.0	EC000943

Surge protection plug - TC EXTENDER PT-IQ-1S - 2702257

Classifications

ETIM

ETIM 5.0	EC000943
ETIM 6.0	EC000943
ETIM 7.0	EC000943

UNSPSC

UNSPSC 6.01	30212010
UNSPSC 7.0901	39121610
UNSPSC 11	39121610
UNSPSC 12.01	39121610
UNSPSC 13.2	39121620
UNSPSC 18.0	39121620
UNSPSC 19.0	39121620
UNSPSC 20.0	39121620
UNSPSC 21.0	39121620

Accessories

Necessary add-on products

Modem - TC EXTENDER 4001 ETH-1S - 2702253



Managed Ethernet extender, point-to-point connections, data rates up to 15.3 Mbps, distances of up to 20 km on in-house copper cables, replaceable surge protection, 1 SHDSL port, 1 LAN port, diagnostics via Ethernet

Phoenix Contact 2020 © - all rights reserved
<http://www.phoenixcontact.com>

PHOENIX CONTACT GmbH & Co. KG
Flachsmarktstr. 8
32825 Blomberg
Germany
Tel. +49 5235 300
Fax +49 5235 3 41200
<http://www.phoenixcontact.com>

X-ON Electronics

Largest Supplier of Electrical and Electronic Components

Click to view similar products for [Ethernet Modules](#) category:

Click to view products by [Phoenix Contact](#) manufacturer:

Other Similar products are found below :

[TDKEZW3](#) [V23993-USB1029A](#) [100-POE4](#) [I210T1BLK](#) [FC6A-PH1](#) [W4S105C](#) [X520QDA1](#) [BCM84794A1KFSBG](#) [X520DA2OCP](#) [808-38157](#) [7506GX2](#) [TC EXTENDER 2001 ETH-2S](#) [105FX-SC-MDR](#) [110FX2-SC](#) [BCM54291B0IQLEG](#) [7000-P3201-P050150](#) [750-1415](#) [750-1515](#) [750-494](#) [750-495](#) [750-612](#) [750-643](#) [750-652](#) [750-940](#) [753-650/003-000](#) [852-1322](#) [852-1328](#) [852-1812](#) [852-1813](#) [852-1816](#)
[LANTICK PE-0-16](#) [LANTICK PE-16-0](#) [RBMTXLITE-L4X2.X.X.X.X.](#) [USR-TCP232-T2](#) [2017008](#) [EKI-7708E-4F-AE](#) [EKI-7708E-4FP-AE](#)
[EKI-7708G-4FP-AE](#) [2352903-2](#) [EGU-0702-SFP-T](#) [EKI-2706G-1GFPI-BE](#) [SW-125](#) [SW-525](#) [SW-725](#) [1005957](#) [1006191](#) [304TX-N](#)
[WIZ107SR_TTL](#) [ES-320](#) [TDKEZW5](#)