

Extension module - PSR-MC82-5NO-1NC-1DO-24DC-SP - 2702383

Please be informed that the data shown in this PDF Document is generated from our Online Catalog. Please find the complete data in the user's documentation. Our General Terms of Use for Downloads are valid (<http://phoenixcontact.com/download>)



Contact extension up to SILCL 3, Cat. 4, PL e in conjunction with suitable evaluation device, 5 enabling current paths, $U_s = 24 \text{ V DC}$, pluggable Push-in terminal block

The figure shows a version with a screw connection

Your advantages

- Up to Cat. 4/PL e according to ISO 13849-1, SILCL 3 according to IEC 62061 in conjunction with suitable evaluation device
- Low housing width of just 17.5 mm
- One or two-channel activation
- 5 enabling current paths, 1 confirmation current path, 1 digital signal output
- Automatic activation



Key Commercial Data

Packing unit	1 pc
GTIN	
GTIN	4055626145488

Technical data

Note

Utilization restriction	EMC: class A product, see manufacturer's declaration in the download area
-------------------------	---

Dimensions

Width	17.5 mm
Height	116.6 mm
Depth	114.5 mm

Ambient conditions

Ambient temperature (operation)	-20 °C ... 60 °C (observe derating)
Ambient temperature (storage/transport)	-40 °C ... 80 °C
Max. permissible relative humidity (operation)	75 % (on average, 85% infrequently, non-condensing)

Extension module - PSR-MC82-5NO-1NC-1DO-24DC-SP - 2702383

Technical data

Ambient conditions

Max. permissible humidity (storage/transport)	75 % (on average, 85% infrequently, non-condensing)
Maximum altitude	max. 2000 m (Above sea level)

Power supply

Designation	A1/A2
Rated control circuit supply voltage U_s	24 V DC -20 % / +25 %
	19.2 V DC ... 30 V DC
Rated control supply current I_s	typ. 80 mA
Power consumption at U_s	typ. 1.92 W
Inrush current	30 mA ($\Delta t = 7$ ms at U_s)
Filter time	4 ms (at A1 in the event of voltage dips at U_s)
	max. 1 ms (at A1/A2, test pulse width, blanking pulses/dark test)
	5 ms (at A1/A2, test pulse rate, blanking pulses/dark test)
	Where test pulse width < 1 ms: test pulse rate = 5 x test pulse width
	max. 1 ms (at A1/A2, test pulse width, switch-on pulses/light test)
	10 ms (at A1/A2; test pulse rate; switch-on pulses/light test)
	Deactivate the switch-on pulses for safety applications.
Protective circuit	Surge protection Suppressor diode
	Reverse polarity protection Universal diode

Relay outputs: enabling current path

Output name	Enabling current paths
	23/24 ... 63/64
Output description	safety-related N/O contacts
Number of outputs	5 (undelayed)
Contact type	5 enabling current paths
Contact material	AgSnO ₂
Switching voltage	min. 5 V AC/DC
	max. 24 V DC (Enabling current path 23/24)
	max. 250 V AC/DC (all other enabling current paths, observe load curve)
Limiting continuous current	6 A (observe derating)
Inrush current	min. 10 mA
	max. 6 A
Sq. Total current	64 A ² (observe derating)
Switching capacity	min. 50 mW
Switching frequency	0.5 Hz
Mechanical service life	10x 10 ⁶ cycles
Output fuse	10 A gL/gG
	6 A gL/gG (for low-demand applications)

Relay outputs: return current/signaling current path

Output name	Confirmation current path
-------------	---------------------------

Extension module - PSR-MC82-5NO-1NC-1DO-24DC-SP - 2702383

Technical data

Relay outputs: return current/signaling current path

Output description	Safety-related N/C contacts
Number of outputs	1 (undelayed)
Contact type	1 confirmation current path
Contact material	AgSnO
Switching voltage	min. 5 V AC/DC
	max. 24 V DC
Limiting continuous current	100 mA
Inrush current	max. 100 mA
	min. 10 mA
Switching capacity	min. 50 mW
Switching frequency	max. 0.5 Hz
Mechanical service life	10x 10 ⁶ cycles

Alarm outputs

Designation	M1
Output description	non-safety-related
Number of outputs	1 (digital, PNP)
Voltage	typ. 23 V DC (U _s - 1 V)
Current	max. 100 mA
Maximum inrush current	500 mA (Δt = 1 ms at U _s)
Short-circuit protection	Yes

Times

Typical pickup time at US	< 50 ms (when controlled via A1/A2)
Typical response time at US	< 50 ms
Typical release time at US	< 25 ms (when controlled via A1/A2)
Recovery time	< 100 ms

General

Relay type	Electromechanical relay with force-guided contacts in accordance with IEC/EN 61810-3
Nominal operating mode	100% operating factor
Net weight	210.1 g
Mounting position	vertical or horizontal
Mounting type	DIN rail mounting
Assembly instructions	See derating curve
Degree of protection	IP20
Min. degree of protection of inst. location	IP54
Housing color	yellow
Status display	2 x green LEDs

Connection data

Connection method	Push-in connection
-------------------	--------------------

Extension module - PSR-MC82-5NO-1NC-1DO-24DC-SP - 2702383

Technical data

Connection data

pluggable	Yes
Conductor cross section solid	0.2 mm ² ... 1.5 mm ²
Conductor cross section flexible	0.2 mm ² ... 1.5 mm ²
Conductor cross-section AWG	24 ... 16
Conductor cross-section flexible with ferrule without plastic sleeve	0.25 mm ² ... 1.5 mm ² (only together with CRIMPFOX 6)
Conductor cross-section flexible with ferrule and plastic sleeve	0.25 mm ² ... 1.5 mm ² (only together with CRIMPFOX 6)
Stripping length	8 mm

Safety-related characteristic data

Stop category	0
Designation	IEC 61508 - High demand
Safety Integrity Level (SIL)	3 (In conjunction with suitable evaluating device)
Designation	IEC 61508 - Low demand
Safety Integrity Level (SIL)	3 (In conjunction with suitable evaluating device)
Designation	EN ISO 13849
Performance level (PL)	e (In conjunction with suitable evaluating device)
Category	4 (In conjunction with suitable evaluating device)
Designation	EN 62061
Safety Integrity Level Claim Limit (SIL CL)	3 (In conjunction with suitable evaluating device)

Standards and Regulations

Designation	Air clearances and creepage distances between the power circuits
Standards/regulations	DIN EN 50178
Rated insulation voltage	250 V AC
	250 V AC
Rated surge voltage/insulation	Basic insulation 4 kV between all current paths
	Basic insulation 4 kV between all current paths and housing
	Safe isolation, reinforced insulation 6 kV between input circuits and enabling current paths 33/34, 43/44, and 63/64
Degree of pollution	2
Overvoltage category	III
Shock	15g (In the event of stress caused by shock, contact reactions are possible for up to 6 ms.)
Vibration (operation)	10 Hz ... 150 Hz, 2g (In the event of stress caused by vibration, contact reactions are possible for up to 1 ms.)
Conformance	CE-compliant

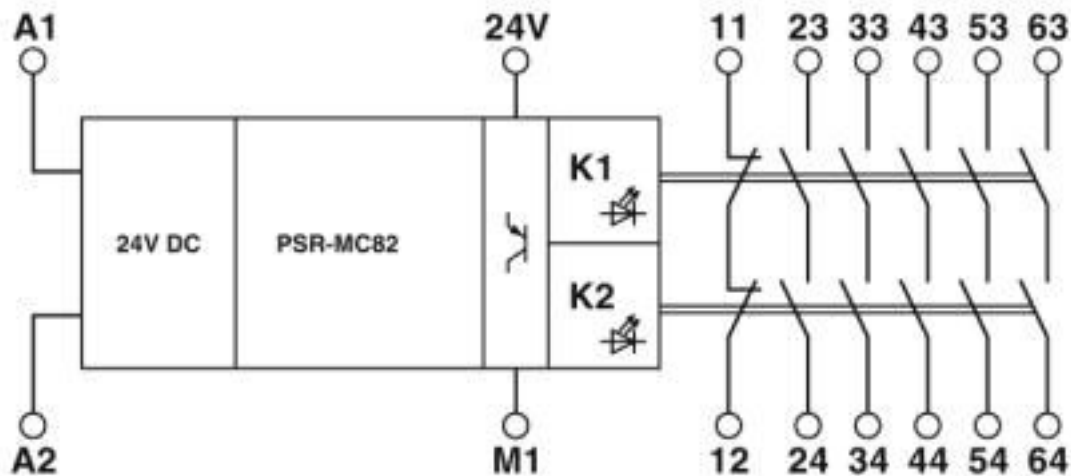
Environmental Product Compliance

REACH SVHC	Lead 7439-92-1
China RoHS	Environmentally Friendly Use Period = 50 years
	For details about hazardous substances go to tab "Downloads", Category "Manufacturer's declaration"

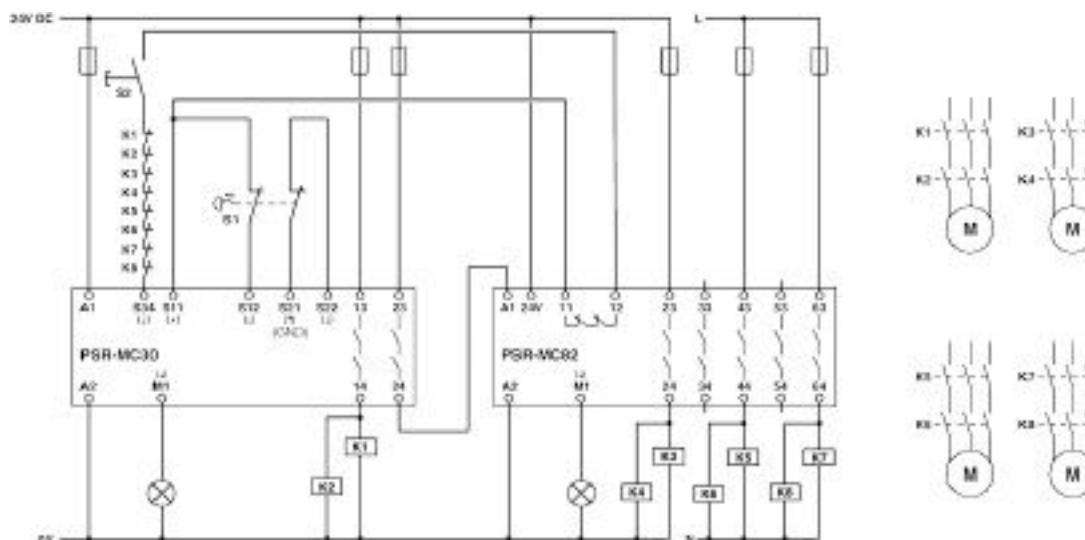
Drawings

Extension module - PSR-MC82-5NO-1NC-1DO-24DC-SP - 2702383

Block diagram



Circuit diagram



Classifications

eCl@ss

eCl@ss 10.0.1	27371819
eCl@ss 4.0	40020600
eCl@ss 4.1	40020600
eCl@ss 5.0	27371900
eCl@ss 5.1	27371900
eCl@ss 6.0	27371800
eCl@ss 7.0	27371819
eCl@ss 8.0	27371819
eCl@ss 9.0	27371819

Extension module - PSR-MC82-5NO-1NC-1DO-24DC-SP - 2702383

Classifications

ETIM

ETIM 3.0	EC001449
ETIM 4.0	EC001449
ETIM 5.0	EC001449
ETIM 6.0	EC001449
ETIM 7.0	EC001449

UNSPSC

UNSPSC 13.2	39121501
UNSPSC 18.0	39122205
UNSPSC 19.0	39122205
UNSPSC 20.0	39122205
UNSPSC 21.0	39122205

Approvals

Approvals

Approvals

UL Listed / cUL Listed / Functional Safety / cULus Listed

Ex Approvals

Approval details

UL Listed		http://database.ul.com/cgi-bin/XYV/template/LISEXT/1FRAME/index.htm	FILE E 140324
-----------	--	---	---------------

cUL Listed		http://database.ul.com/cgi-bin/XYV/template/LISEXT/1FRAME/index.htm	FILE E 140324
------------	--	---	---------------

Functional Safety			44-205-15124303
-------------------	--	--	-----------------

cULus Listed			
--------------	--	--	--

Phoenix Contact 2020 © - all rights reserved
<http://www.phoenixcontact.com>

PHOENIX CONTACT GmbH & Co. KG
Flachsmarktstr. 8
32825 Blomberg
Germany
Tel. +49 5235 300
Fax +49 5235 3 41200
<http://www.phoenixcontact.com>

X-ON Electronics

Largest Supplier of Electrical and Electronic Components

Click to view similar products for [Controllers](#) category:

Click to view products by [Phoenix Contact](#) manufacturer:

Other Similar products are found below :

[61FGPN8DAC120](#) [CV500SLK21](#) [70177-1011](#) [F03-03 HAS C](#) [F03-31](#) [81550401](#) [FT1A-C12RA-W](#) [88981106](#) [H2CAC24A](#) [H2CRSAC110B](#)
[R88A-CRGB003CR-E](#) [R88ARR080100S](#) [R88A-TK01K](#) [DCN1-1](#) [DRT2ID08C](#) [DTB4896VRE](#) [DTB9696CVE](#) [DTB9696LVE](#) [E53-AZ01](#)
[E53E01](#) [E53E8C](#) [E5C4Q40J999FAC120](#) [E5CWLQ1TCAC100240](#) [E5GNQ03PFLKACDC24](#) [B300LKL21](#) [NSCXDC1V3](#) [NSH5-232CW-3M](#)
[NT20SST122BV1](#) [NV-CN001](#) [OAS-160-N](#) [C40PEDRA](#) [K31S6](#) [K33-L1B](#) [K3MA-F](#) [100-240VAC](#) [K3TX-AD31A](#) [89750101](#) [L595020](#)
[SRM1-C02](#) [SRS2-1](#) [FT1A-C14SA-S](#) [G32X-V2K](#) [26546803](#) [26546805](#) [PWRA440A](#) [CPM1AETL03CH](#) [CV500SLK11](#) [3G2A5BI081](#)
[3G2A5IA122](#) [3G2A5LK010E](#) [3G2A5OA223](#)