

## LED machine light - PLD M 160 W-95/105 896 - 2702478

Please be informed that the data shown in this PDF Document is generated from our Online Catalog. Please find the complete data in the user's documentation. Our General Terms of Use for Downloads are valid (<http://phoenixcontact.com/download>)



LED machine light, 24 V DC, emission angle 95 °/105 °, color temperature 6200 K, length 896 mm, Light housing: Anodized aluminum, Light cover: Satined acrylic, pivoting, including mounting accessories


### Product Description

This LED machine light is designed to provide illumination inside or on machinery. Due to the narrow design, it can be mounted even where space is at a premium. In the light holder supplied, the light can swivel and the lighting can therefore be optimally aligned. The satin-finished plastic cover prevents glare for the machine operator.

### Your advantages

- ✓ Narrow design enables mounting even in confined spaces
- ✓ Ready to connect by means of punched-on 3 m supply line
- ✓ Focused illumination, thanks to swivel action
- ✓ IP67 protection enables use even in wet environments
- ✓ ETL approval permits use on the North American market
- ✓ Particularly economical thanks to energy-efficient LED technology and an LED service life of at least 50,000 h

### Key Commercial Data

Packing unit	1 pc
GTIN	 4 055626 213842
GTIN	4055626213842

### Technical data

#### Dimensions

Width	22.5 mm
Height	23 mm
Length	896 mm

#### Ambient conditions

Ambient temperature (operation)	0 °C ... 40 °C
Ambient temperature (storage/transport)	-10 °C ... 50 °C

# LED machine light - PLD M 160 W-95/105 896 - 2702478

## Technical data

### Ambient conditions

Permissible humidity (operation)	95 %
Permissible humidity (storage/transport)	95 % (non-condensing)
Air pressure (operation)	69 kPa ... 102 kPa
Air pressure (storage/transport)	69 kPa ... 102 kPa
Degree of protection	IP67

### General

Color	aluminum color
Net weight	800 g
Mounting type	Screw mounting
Mounting position	any

### Power supply for module electronics

Connection method	open cable end
Cable length	approx. 3 m
Supply voltage	24 V DC
Supply voltage range	22 V DC ... 26 V DC
Current consumption	typ. 0.875 A (at 24 V DC)
Power consumption	approx. 21 W (at 24 V DC)
Type of protection	Surge protection
	Reverse polarity protection

### Light properties

Source of light type	LED
Number of LEDs	36
Service life, lighting appliance	50,000 h (L70)
Light color	daylight white
Color temperature / wavelength	6200 K ±10 %
Color rendering index	75
Luminous flux	approx. 900 lm (Net luminous flux)
Illumination	max. 833 lx (50 cm distance)
Average illumination	449 lx (Distance of 50 cm over 1 m <sup>2</sup> area)
Emission angle	95 ° (C0-C180)

### Standards and Regulations

Protection class	III (IEC 61140, EN 61140, VDE 0140-1)
------------------	---------------------------------------

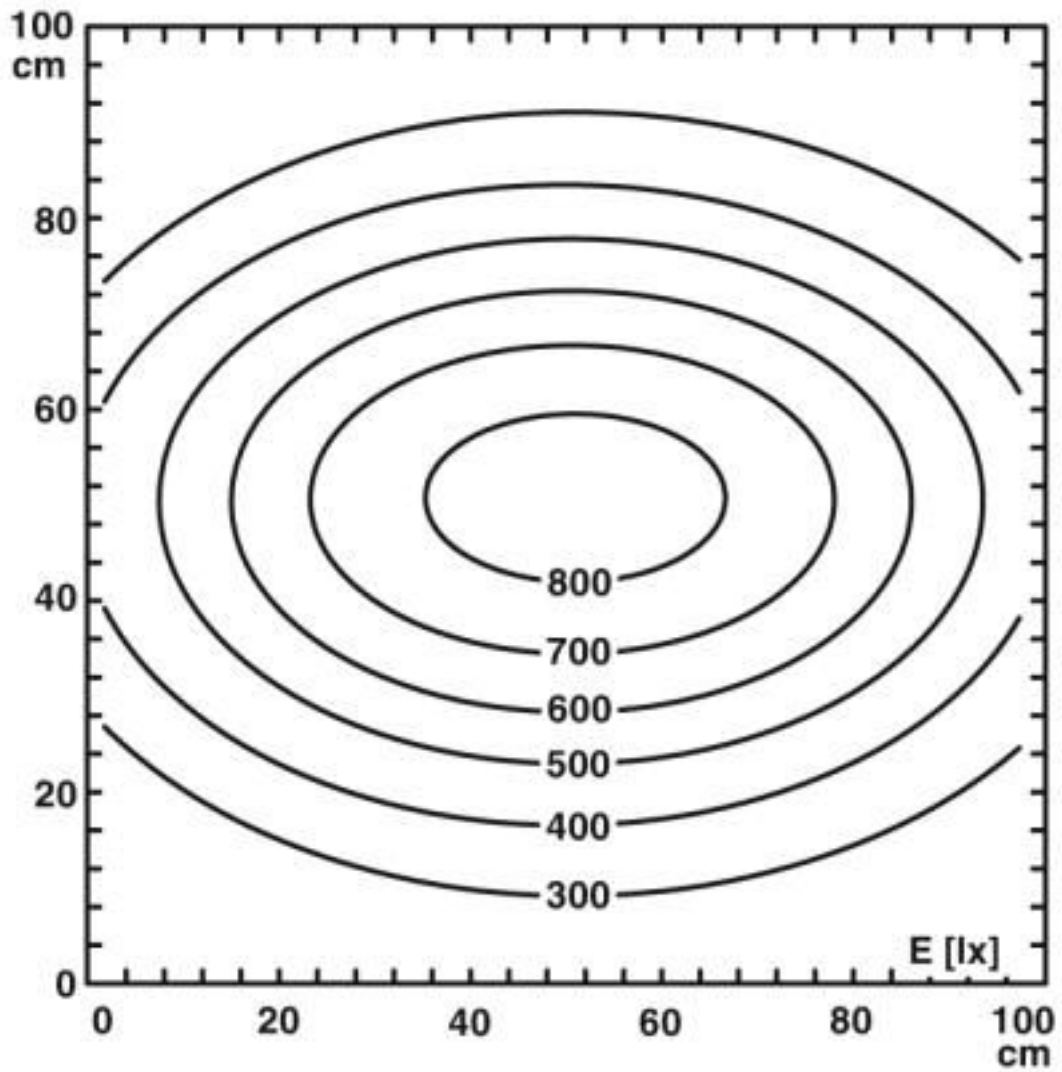
### Environmental Product Compliance

China RoHS	Environmentally friendly use period: unlimited = EFUP-e
	No hazardous substances above threshold values

## Drawings

# LED machine light - PLD M 160 W-95/105 896 - 2702478

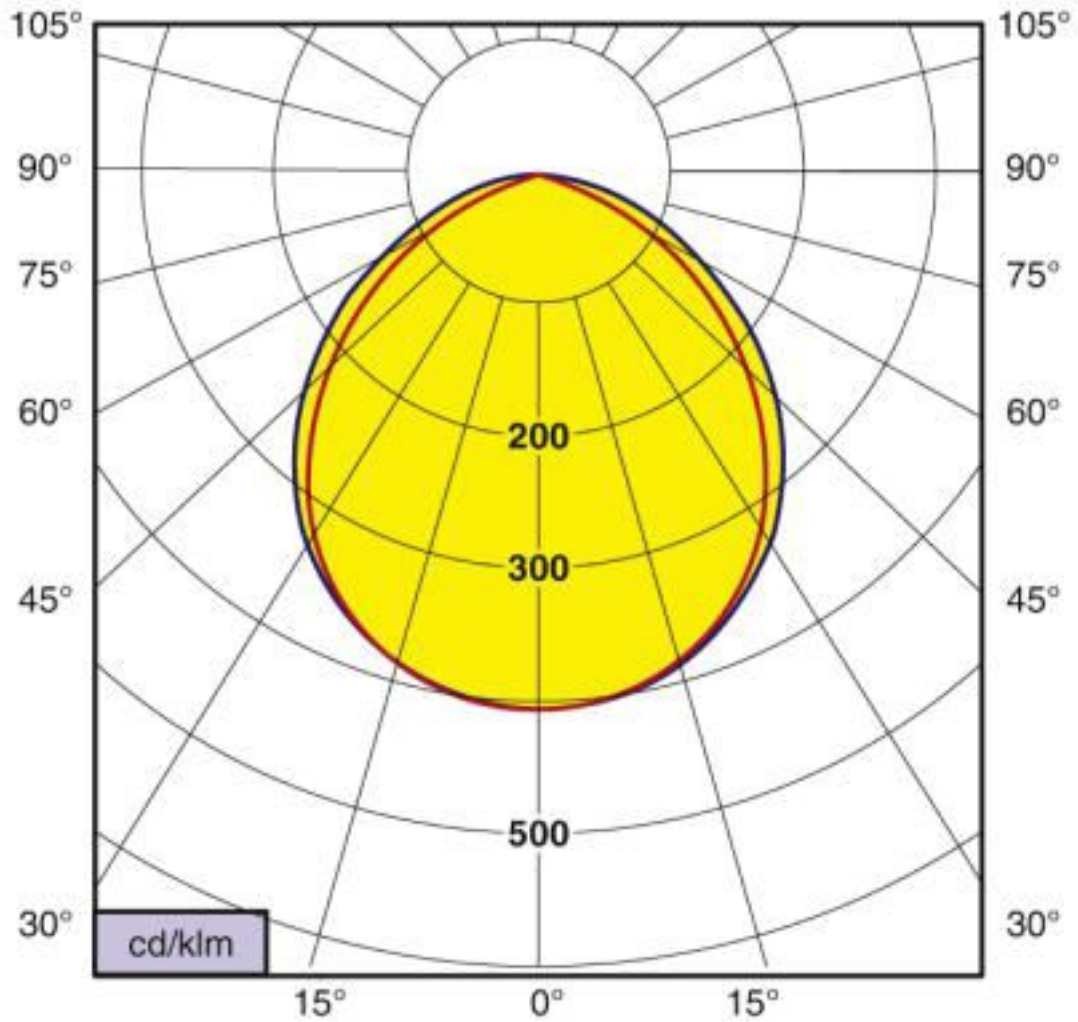
Diagram



Illuminance distribution  
(distance  $d = 0.5$  m)

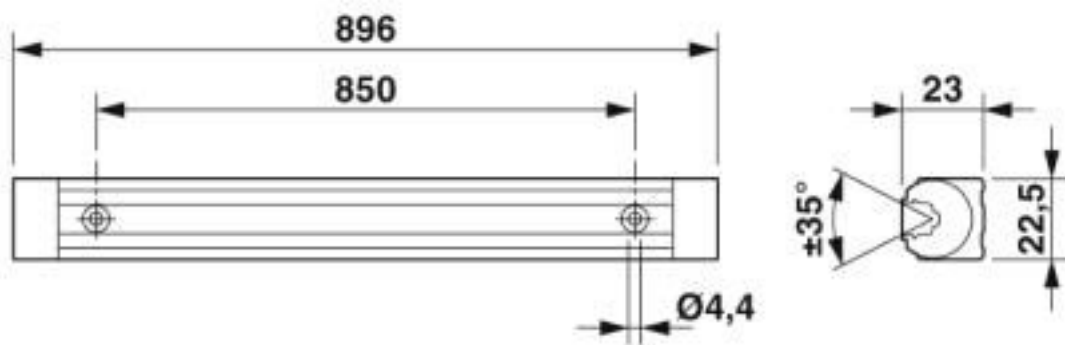
# LED machine light - PLD M 160 W-95/105 896 - 2702478

Diagram



Luminous intensity distribution (LID)  
(red line: C0 - C180, blue line: C90 - C270)

Dimensional drawing



# LED machine light - PLD M 160 W-95/105 896 - 2702478

## Classifications

### eCl@ss

eCl@ss 10.0.1	27110345
eCl@ss 4.0	27110800
eCl@ss 4.1	27110800
eCl@ss 5.0	27119100
eCl@ss 5.1	27119100
eCl@ss 7.0	27119010
eCl@ss 8.0	27119010
eCl@ss 9.0	27110345

### ETIM

ETIM 3.0	EC000348
ETIM 4.0	EC000348
ETIM 5.0	EC000348
ETIM 6.0	EC000302
ETIM 7.0	EC000302

### UNSPSC

UNSPSC 6.01	39111510
UNSPSC 7.0901	39111510
UNSPSC 11	39111510
UNSPSC 12.01	39111510
UNSPSC 13.2	39101601
UNSPSC 18.0	39101601
UNSPSC 19.0	39101601
UNSPSC 20.0	39101601
UNSPSC 21.0	39101601

## Approvals

### Approvals

---

Approvals

ETLus / cETL / cETLus

---


Ex Approvals


---

### Approval details

## LED machine light - PLD M 160 W-95/105 896 - 2702478

### Approvals

ETLus		<a href="http://www.intertek.com">http://www.intertek.com</a>	LV-Lighting-Systems
-------	---	---	---------------------

cETL		<a href="http://www.intertek.com">http://www.intertek.com</a>	Luminaire
------	---	---	-----------

cETLus			
--------	---	--	--

Phoenix Contact 2020 © - all rights reserved  
<http://www.phoenixcontact.com>

PHOENIX CONTACT GmbH & Co. KG  
Flachsmarktstr. 8  
32825 Blomberg  
Germany  
Tel. +49 5235 300  
Fax +49 5235 3 41200  
<http://www.phoenixcontact.com>

## X-ON Electronics

Largest Supplier of Electrical and Electronic Components

*Click to view similar products for [LED Lighting Fixtures](#) category:*

*Click to view products by [Phoenix Contact](#) manufacturer:*

Other Similar products are found below :

[1301080067](#) [XVEC21P](#) [XVEC2B7](#) [2576960000](#) [113163000-00662717](#) [113472000-00691461](#) [XVBC2B3](#) [XVBC2B7](#) [XVBC4B4](#) [XVBC4B5](#)  
[XVBC4B6](#) [XVBC4M3](#) [XVBC4M4](#) [XVBC4M5](#) [XVBC4M8](#) [XVBZ01](#) [XVBZ03A](#) [XVBZ04](#) [E35600](#) [NB-RLAMP01-LED](#) [FLK7LED](#)  
[XVBZ04A](#) [XVBC4M7](#) [XVBC4M6](#) [XVBC4B3](#) [XVBC2B8](#) [2700127](#) [2702933](#) [2702477](#) [2403122](#) [2403121](#) [2402991](#) [89406068](#) [148-00076](#)  
[113261000-00641180](#) [190007019-00014904](#) [226108019-00610754](#) [4823](#) [4824](#) [4868](#) [112887037-00076065](#) [113021000-00564565](#)  
[113473000-00704968](#) [NB-RLAMP01](#) [112577000-00539774](#) [113458000-00668976](#) [E35500](#) [408001403-00671626](#) [SL7/4-FW](#) [LML-6TER-](#)  
[CAB](#)