

Router - TC ROUTER 3002T-3G - 2702529

Please be informed that the data shown in this PDF Document is generated from our Online Catalog. Please find the complete data in the user's documentation. Our General Terms of Use for Downloads are valid (<http://phoenixcontact.com/download>)



Industrial 3G router, European version, fallback to 2G GPRS/EDGE, 2 Ethernet interfaces, firewall, NAT, IPsec and OpenVPN support, SMA-F antenna socket, SMS and e-mail transmission, 2 digital inputs, 1 digital output

Product Description


The TC ROUTER for cellular communication implements high-performance, high-speed data links of up to 150 Mbps via mobile 4G LTE networks. This enables you to establish a mobile broadband connection for highly flexible site networking even in places where a wired Internet connection is not available. These connections can be used to transmit sensitive data securely over cellular networks. Furthermore, the TC ROUTER offers a high level of security thanks to IPsec or OpenVPN tunnels, as well as an integrated stateful packet inspection firewall. This means that you can reliably protect your application against unauthorized access.

Your advantages

- ✓ Industrial 3G cellular router (UMTS/HSPA)
- ✓ Fallback to 2G (GPRS/EDGE)
- ✓ Virtual dedicated line to connect networks via cellular network
- ✓ IPsec and OpenVPN
- ✓ Up to three VPN tunnels simultaneously
- ✓ VPN remote start via call or SMS
- ✓ Stateful inspection firewall for dynamic filtering
- ✓ NAT table
- ✓ Two switching inputs and one switching output
- ✓ Configuration via web-based management or microSD card
- ✓ Two local Ethernet connections
- ✓ Switchable energy-saving mode
- ✓ Integrated logbook
- ✓ Connection monitoring
- ✓ Extended temperature range, -40 °C ... +70 °C



Key Commercial Data

Packing unit	1 pc
GTIN	 4 0 5 5 6 2 6 2 1 1 9 9 2
GTIN	4055626211992

Router - TC ROUTER 3002T-3G - 2702529

Technical data

Note

Utilization restriction	EMC: class A product, see manufacturer's declaration in the download area
-------------------------	---

Dimensions

Width	45 mm
Height	130 mm
Depth	126 mm

Ambient conditions

Ambient temperature (operation)	-40 °C ... 70 °C (Maximum transmission power 10 dBm)
	-40 °C ... 60 °C (Maximum transmission power 23 dBm)
Ambient temperature (storage/transport)	-40 °C ... 85 °C
Permissible humidity (operation)	10 % ... 95 % (non-condensing)
Permissible humidity (storage/transport)	10 % ... 95 % (non-condensing)
Altitude	≤ 5000 m (For restrictions, see the manufacturer's declaration for altitude operation)
Degree of protection	IP20
Noise immunity	EN 61000-6-2

General

Electrical isolation	VCC // UMTS // Ethernet // PE
Electromagnetic compatibility	Conformance with RED Directive 2014/53/EU
Net weight	232.8 g
Housing material	Plastic
Color	gray
MTTF	383 Years (SN 29500 standard, temperature 25°C, operating cycle 21%)
	184 Years (SN 29500 standard, temperature 40°C, operating cycle 34.25%)
	78 Years (SN 29500 standard, temperature 40°C, operating cycle 100%)

Power supply

Supply voltage range	10 V DC ... 30 V DC (Via pluggable Push-in terminal block)
Max. current consumption	1.7 A
Typical current consumption	< 200 mA (24 V DC)
	65 mA (With activated energy-saving mode)

Interfaces

Interface 1	Ethernet interface, 10/100Base-T(X) in accordance with IEEE 802.3
Interface	Ethernet
No. of ports	2
Connection method	RJ45 jack, shielded
Transmission length	100 m (shielded twisted pair)
Protocols supported	TCP/IP, UDP/IP, FTP, HTTP(S)

Router - TC ROUTER 3002T-3G - 2702529

Technical data

Interfaces

Auxiliary protocols	ARP, DHCP, PING (ICMP), SNMP V1/V2, SMTP(S), NTP, SSL/TLS, STARTTLS
Serial transmission speed	10/100 Mbps, auto negotiation

Wireless interface

Interface description	GSM / GPRS / EDGE / UMTS / HSPA
Frequency range	900 MHz (UMTS/HSPA B8)
	2100 MHz (UMTS/HSPA B1)
	850 MHz (2 W (EGSM))
	900 MHz (2 W (EGSM))
	1800 MHz (1 W (EGSM))
	1900 MHz (1 W (EGSM))
Data rate	≤ 21.6 Mbps (HSPA (DL))
	≤ 5.76 Mbps (HSPA (UL))
Antenna	50 Ω impedance SMA antenna socket
SIM interface 1	1.8 volt, 3 volt
GPRS	Class 12, Class B
	CS1 ... CS4
EDGE	Multislot Class 10
UMTS	HSPA 3GPP R7

Function

Web-based management	yes
Management	Web-based management, SNMP
Security functions	Supported 3DES, AES-128, -192, -256 ESP tunnel X.509v3, PSK MD5, SHA-1 RFC 3706 IP, port, protocol

Digital outputs

Output name	Digital output
Number of outputs	1
Voltage output signal	10 V DC ... 30 V DC (depending on the operating voltage)
Current output signal	≤ 50 mA (Not short-circuit proof)

Digital inputs

Description of the input	Digital input
Number of inputs	2
Switching level "1" signal	10 V DC ... 30 V DC
Voltage input signal	10 V DC ... 30 V DC

Conformance/approvals

Designation	CE
Identification	CE-compliant
Designation	Corrosive gas test
Identification	ISA-S71.04-1985 G3 Harsh Group A

Router - TC ROUTER 3002T-3G - 2702529

Technical data

Standards and Regulations

Electromagnetic compatibility	Conformance with RED Directive 2014/53/EU
Type of test	Vibration resistance in acc. with EN 60068-2-6/IEC 60068-2-6
Test result	5g, 10...150 Hz, 2.5 h, in XYZ direction
Type of test	Shock in acc. with EN 60068-2-27/IEC 60068-2-27
Test result	15g
Noise immunity	EN 61000-6-2
Standards/regulations	EN 61000-4-2
Contact discharge	± 6 kV (Test Level 3)
Standards/regulations	EN 61000-4-3
Frequency range	80 MHz ... 3 GHz (Test Level 3)
Standards/regulations	EN 61000-4-4
Comments	Criterion B
Standards/regulations	EN 61000-4-5
Signal	± 1 kV (Data line, asymmetrical)
Standards/regulations	EN 61000-4-6
Frequency range	0.15 MHz ... 80 MHz

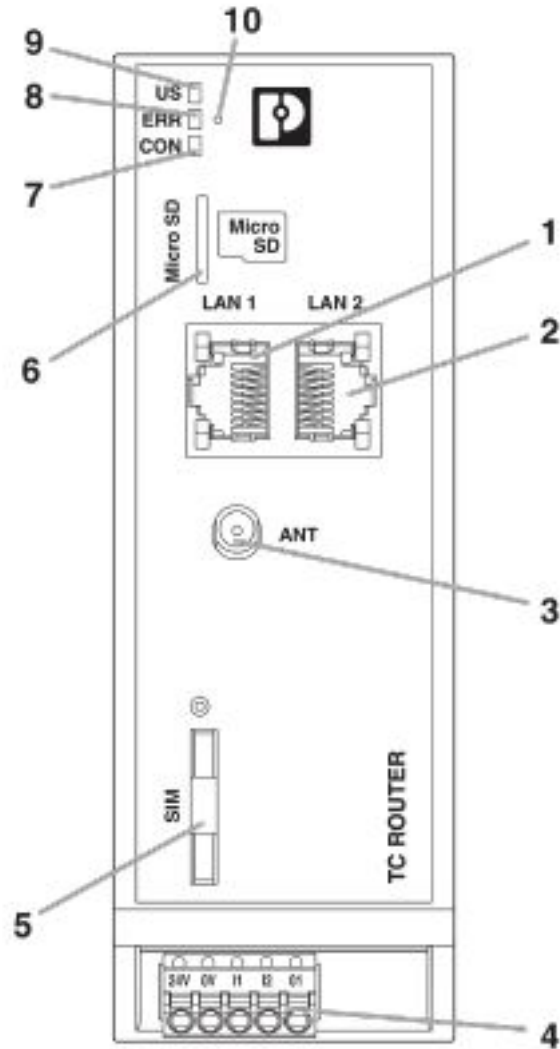
Environmental Product Compliance

REACH SVHC	Lead 7439-92-1
China RoHS	Environmentally Friendly Use Period = 50 years
	For details about hazardous substances go to tab "Downloads", Category "Manufacturer's declaration"

Drawings

Router - TC ROUTER 3002T-3G - 2702529

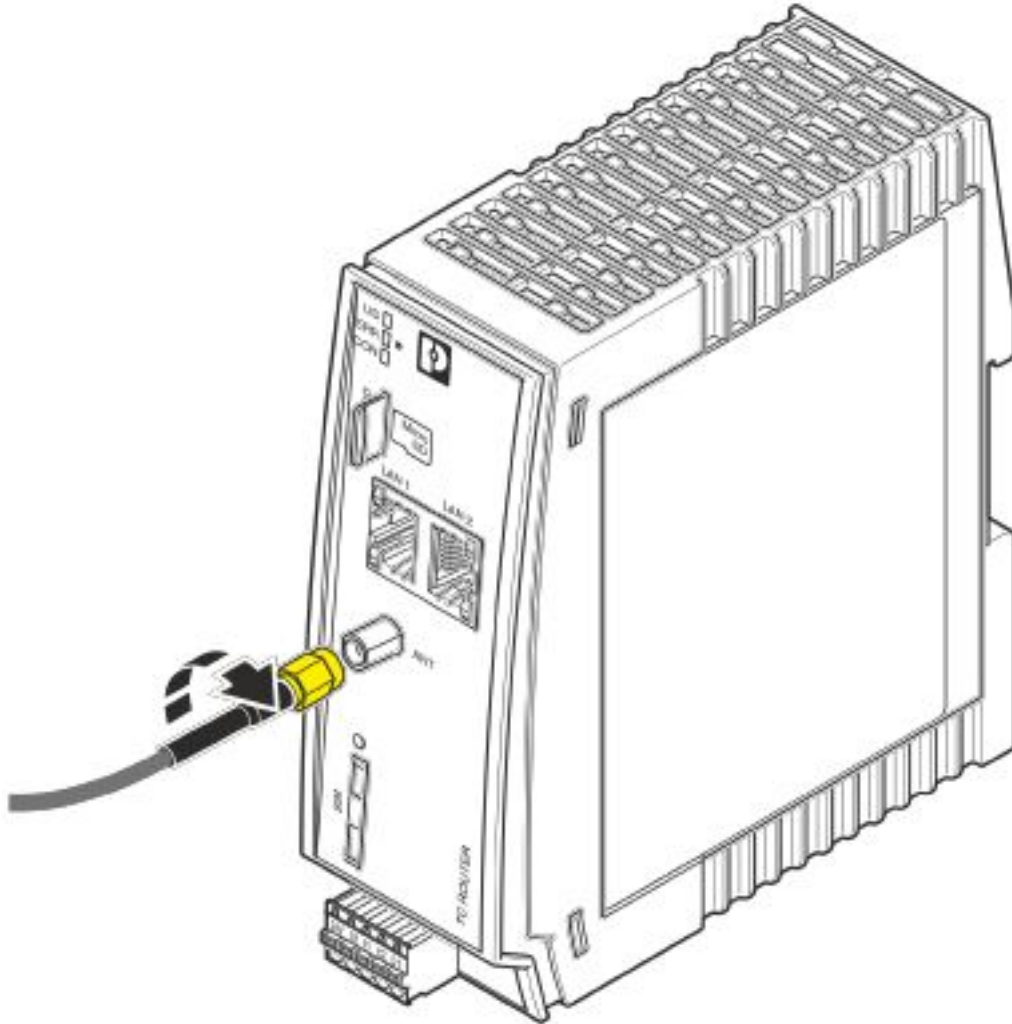
Schematic diagram



Front view

Router - TC ROUTER 3002T-3G - 2702529

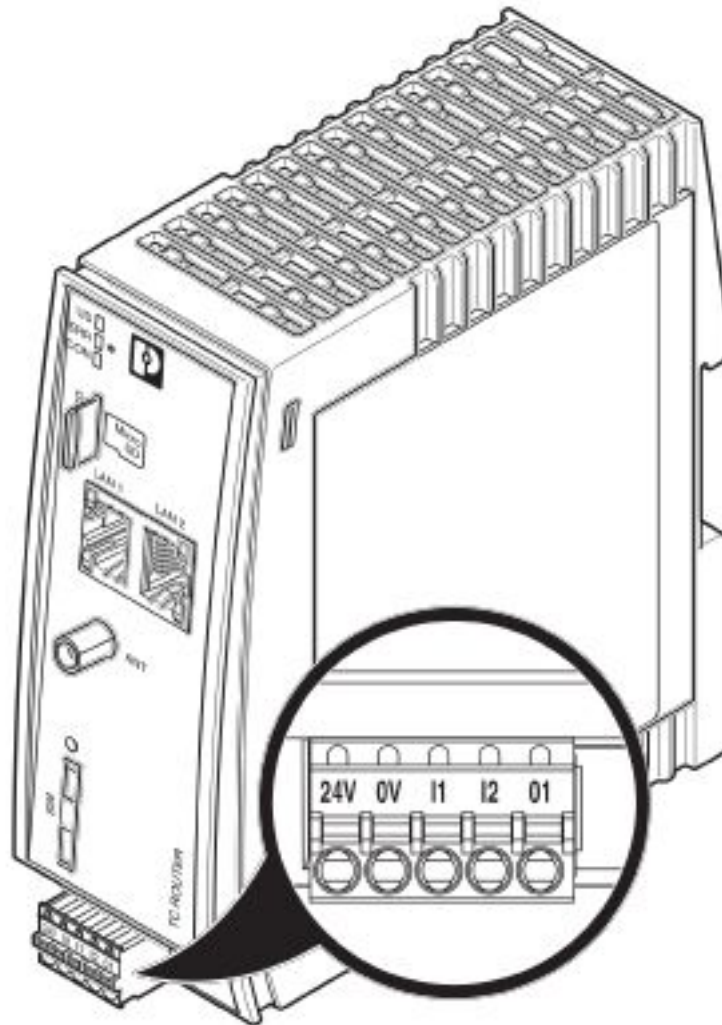
Schematic diagram



Connect the antenna

Router - TC ROUTER 3002T-3G - 2702529

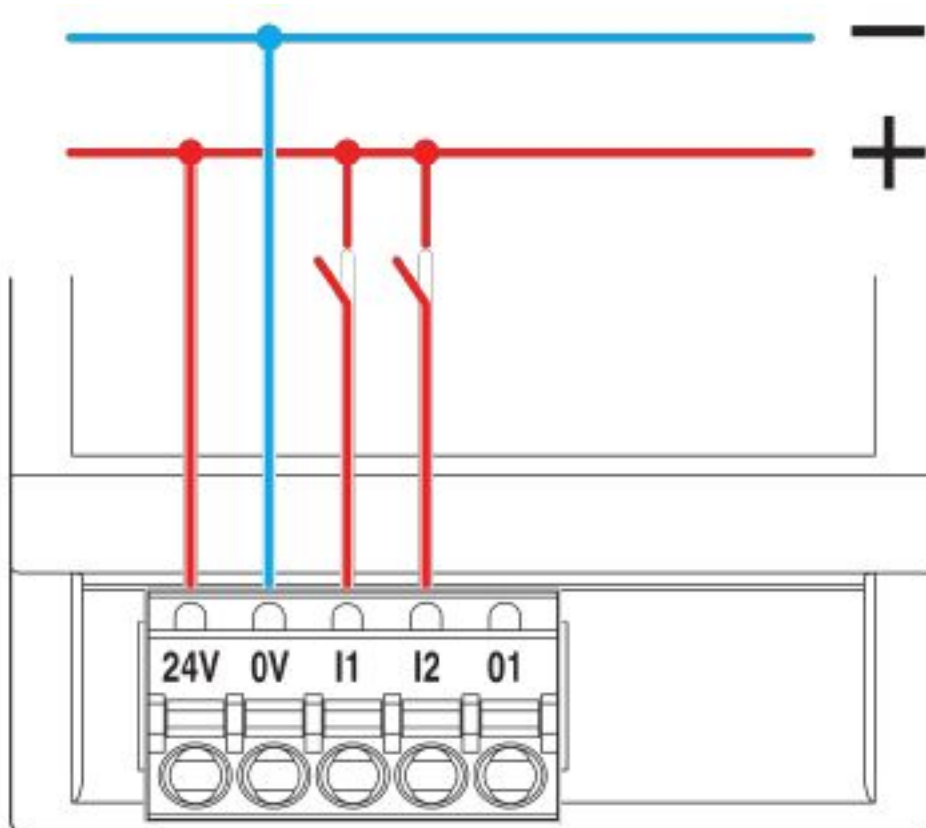
Schematic diagram



Device connections

Router - TC ROUTER 3002T-3G - 2702529

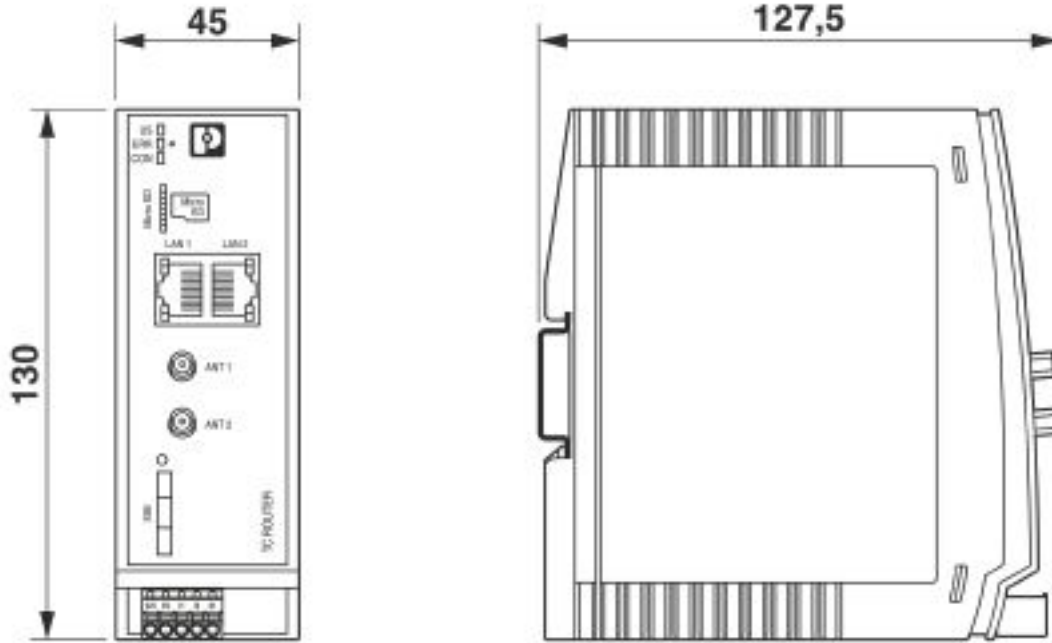
Connection diagram



Switching inputs

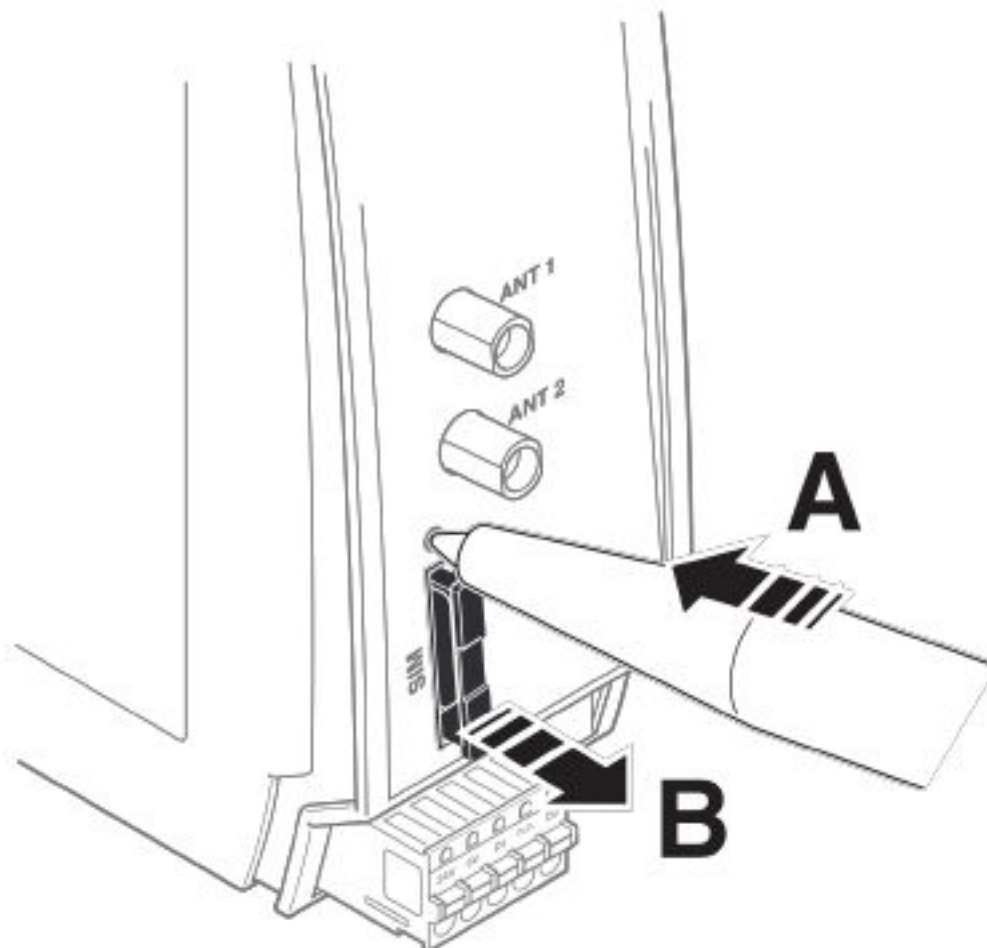
Router - TC ROUTER 3002T-3G - 2702529

Dimensional drawing



Router - TC ROUTER 3002T-3G - 2702529

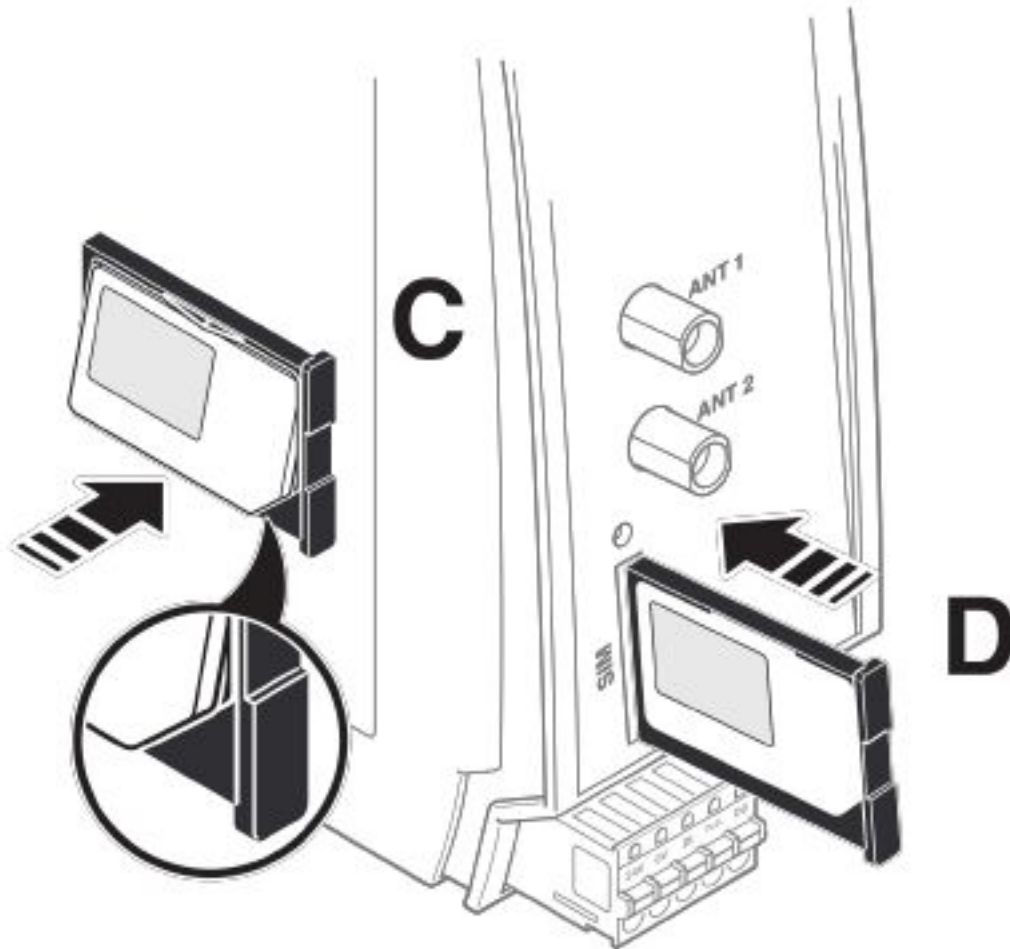
Schematic diagram



Remove SIM card holder

Router - TC ROUTER 3002T-3G - 2702529

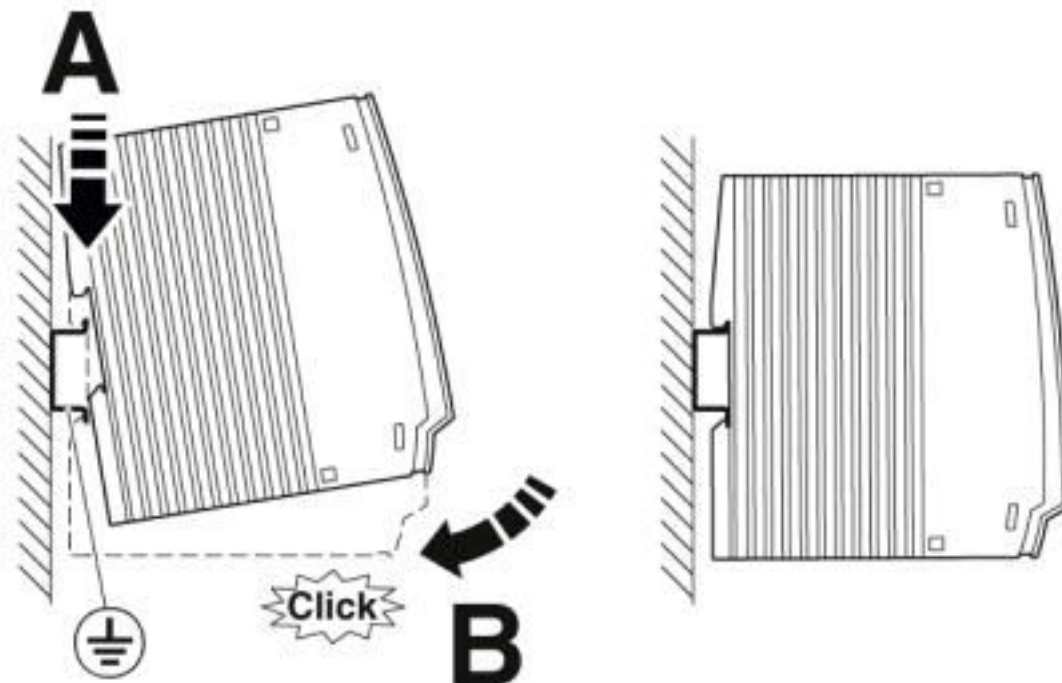
Schematic diagram



Insert the SIM card

Router - TC ROUTER 3002T-3G - 2702529

Schematic diagram



Mounting

Classifications

eCl@ss

eCl@ss 10.0.1	19170405
eCl@ss 4.0	27230200
eCl@ss 4.1	27230200
eCl@ss 5.0	19030100
eCl@ss 5.1	19030100
eCl@ss 6.0	19170100
eCl@ss 7.0	19170103
eCl@ss 8.0	19170103
eCl@ss 9.0	19170103

ETIM

ETIM 5.0	EC001478
ETIM 6.0	EC001478
ETIM 7.0	EC001478

Accessories

Accessories

Antenna

Router - TC ROUTER 3002T-3G - 2702529

Accessories

Antenna - TC ANT MOBILE WALL 5M - 2702273



Multiband cellular antenna with mounting bracket for outdoor installation, 5 m antenna cable with SMA circular connector, suitable for LTE/4G

Coaxial cable

Antenna cable - PSI-CAB-GSM/UMTS- 5M - 2900980



Cellular antenna cable, 5 m in length, SMA (male) -> SMA (female), 50 ohm impedance

Antenna cable - PSI-CAB-GSM/UMTS-10M - 2900981



Cellular antenna cable, 10 m in length, SMA (male) -> SMA (female), 50 ohm impedance

PCB plug

PCB connector - FK-MCP 1,5/ 5-ST-3,81GY35BD-01 - 1105115



PCB connector, nominal current: 8 A, rated voltage (III/2): 160 V, nominal cross section: 1.5 mm², number of positions: 5, pitch: 3.81 mm, connection method: Push-in spring connection, color: light gray, contact surface: Tin

Power supply

Power supply unit - TRIO-PS-2G/1AC/24DC/3/C2LPS - 2903147



Primary-switched TRIO POWER power supply with push-in connection for DIN rail mounting, input: 1-phase, output: 24 V DC/3 A C2LPS

Remote control software

Router - TC ROUTER 3002T-3G - 2702529

Accessories

License - MGuard SECURE VPN CLIENT LIC - 2702579



License for mGuard Secure VPN Client v11.x

Surge protection for transceiver systems

Surge protection device - CSMA-LAMBDA/4-2.0-BS-SET - 2800491



Attachment plug with Lambda/4 technology as surge protection for coaxial signal interfaces. Connection: Male/female SMA connectors.

Phoenix Contact 2020 © - all rights reserved
<http://www.phoenixcontact.com>

PHOENIX CONTACT GmbH & Co. KG
Flachsmarktstr. 8
32825 Blomberg
Germany
Tel. +49 5235 300
Fax +49 5235 3 41200
<http://www.phoenixcontact.com>

X-ON Electronics

Largest Supplier of Electrical and Electronic Components

Click to view similar products for [Routers category](#):

Click to view products by [Phoenix Contact manufacturer](#):

Other Similar products are found below :

[LR54-AA401](#) [WR44-L900-AE1-RF](#) [WR31-U92A-DE1-TB](#) [SR30500020-SWH](#) [SR30510120](#) [SR30508010](#) [SR30500410](#) [UR2B612011](#)
[UR2L610011-SWH](#) [UR2L610710](#) [BB-ERT311](#) [BB-UR2B610011](#) [BB-UR2B610021](#) [SL30210110-SWH](#) [SL30210110-XSWH](#) [SR30010110-](#)
[SWH](#) [SR30510420-SWH](#) [SR30500420-SWH](#) [SR30518120-SWH](#) [XR2F000711](#) [ASB-631R-DX06-OUS](#) [TX64-A121](#) [X2E-Z1R-E1-W](#) [X2E-](#)
[Z1R-W1-W](#) [X2E-Z1R-E1-A](#) [E224HPL2S](#) [1010462](#) [1010463](#) [1010461](#) [1010464](#) [1153078](#) [1153079](#) [2702529](#) [2702888](#) [RUT24006E000](#)
[RUT950U022C0](#) [RUTX09000000](#) [RUTX11000000](#) [FS-BENG-C](#) [FS-Router-BAC2](#) [IX14-M301](#) [IX14-M401](#) [IX14-M601](#) [RUT300000000](#)
[RUT360000000](#) [RUT950V022C0](#) [RUT950K02400](#) [RUT950J02400](#) [RUT950U025A0](#) [RUT955J034S0](#)