

Mounting base housing - ME 22,5 SF-UT GN - 2708009

Please be informed that the data shown in this PDF Document is generated from our Online Catalog. Please find the complete data in the user's documentation. Our General Terms of Use for Downloads are valid (<http://phoenixcontact.com/download>)




DIN rail housing, Lower housing part with metal foot catch, ultra-flat design, with vents, width: 22.6 mm, height: 99 mm, depth: 44.3 mm, cross connection: without bus connector, number of positions cross connector: not relevant, color: green (6021)

Your advantages

- Item is from the ME product range
- Tool-free mounting
- Available in overall widths from 12.5 mm to 90 mm, modular extension is possible
- Inflammability class V0 according to UL 94
- Variety of connection technologies
- Can be mounted on the DIN rail
- Optional bus connector that is either integrated or mounted on the DIN rail



Key Commercial Data

| | |
|--------------|---|
| Packing unit | 10 pc |
| GTIN |  4 017918 909147 |
| GTIN | 4017918909147 |

Technical data

Item properties

| | |
|------------------------------|---|
| Brief article description | Mounting base housing |
| Type | ME 22,5 SF-UT GN |
| Order No. | 2708009 |
| Housing type | DIN rail housing |
| Type | Lower housing part with metal foot catch, ultra-flat design |
| Max. IP code to attain | IP20 |
| Mounting type | DIN rail mounting |
| Ventilation openings present | no |

Dimensions

Mounting base housing - ME 22,5 SF-UT GN - 2708009

Technical data

Dimensions

| | |
|--|---------|
| Width [w] | 22.6 mm |
| Height [h] | 99 mm |
| Depth [d] | 44.3 mm |
| Depth from top edge of DIN rail [d] | 37.8 mm |
| Depth from top edge of DIN rail to support point on upper part [d] | 5.5 mm |

Material data

| | |
|--|--------------|
| Housing material | Polyamide |
| Color (RAL) | green (6021) |
| Flammability rating according to UL 94 | V0 |

Ambient conditions

| | |
|---|--|
| Ambient temperature (storage/transport) | -40 °C ... 55 °C |
| Ambient temperature (assembly) | -5 °C ... 100 °C |
| Ambient temperature (operation) | -40 °C ... 105 °C (depending on power dissipation) |
| Relative humidity (storage/transport) | 80 % |

PCB data

| | |
|-----------------------|--------------------------------|
| Number of PCB holders | 1 |
| PCB thickness | 1.4 mm ... 1.8 mm |
| Mounting position | Vertical (horizontal DIN rail) |
| Type of PCB mount | Latching |

Mechanical strength/tumbling barrel

| | |
|-----------------------|---------------------|
| Specification | IEC 60998-1:2002-12 |
| Height of fall | 50 cm |
| Number of drop cycles | 10 |

Vibration test

| | |
|------------------------|------------------------|
| Specification | IEC 60068-2-6:2007-12 |
| Frequency | 10 - 150 - 10 Hz |
| Sweep speed | 1 octave/min |
| Amplitude | 0.15 mm (10 - 58.1 Hz) |
| Acceleration | 2g (58.1 - 150 Hz) |
| Test duration per axis | 2.5 h |
| Test directions | X-, Y- and Z-axis |

Shock

| | |
|--------------------------------|-----------------------------------|
| Specification | IEC 60068-2-27:2008-02 |
| Pulse shape | Half-sine |
| Acceleration | 15g |
| Shock duration | 11 ms |
| Number of shocks per direction | 3 |
| Test directions | X-, Y- and Z-axis (pos. and neg.) |

Mounting base housing - ME 22,5 SF-UT GN - 2708009

Technical data

Thermostability (Ball Thrust Test)

| | |
|---------------|------------------------|
| Specification | IEC 60695-10-2:2014-02 |
| Temperature | 125 °C |
| Test duration | 1 h |
| Force | 20 N |

Test for assessing the risk of fire (glow wire)

| | |
|------------------|---|
| Specification | DIN EN 60695-2-11 (VDE 0471-2-11):2014-11 |
| Temperature | 850 °C |
| Time of exposure | 30 s |

Degrees of protection provided by housings (IP code)

| | |
|---------------------------------------|---|
| Specification | IEC 60529:1989-11 + AMD 1:1999-11 + AMD 2:2013-08 |
| Result, degree of protection, IP code | IP20 |

General information

| | |
|--------------|---|
| Type of note | Assembly instruction: |
| Note | Refer to the data sheet for the range in the download area. |
| Type of note | Recommendation |
| Note | Material of contact pads for bus connector, galvanic gold (hard gold) |

Packaging information

| | |
|----------------------------|---------------------|
| Type of packaging | packed in cardboard |
| Pieces per package | 10 |
| Denomination packing units | Pcs. |
| Outer packaging type | Carton |

Standards and regulations

| | |
|--|----|
| Flammability rating according to UL 94 | V0 |
|--|----|

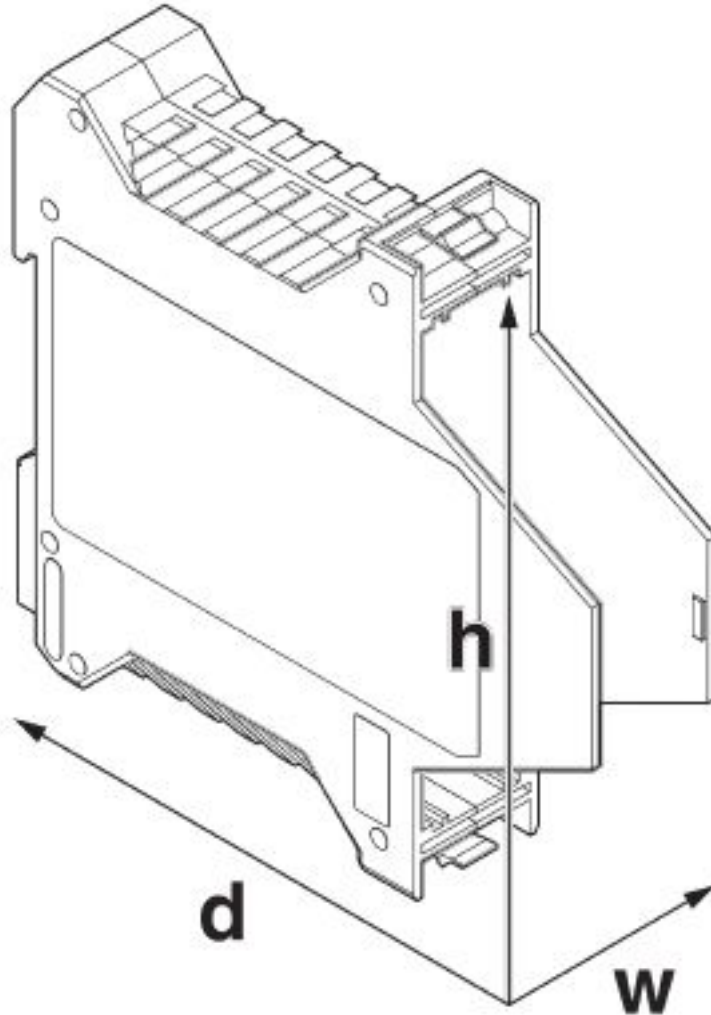
Environmental Product Compliance

| | |
|------------|---|
| China RoHS | Environmentally friendly use period: unlimited = EFUP-e |
| | No hazardous substances above threshold values |

Drawings

Mounting base housing - ME 22,5 SF-UT GN - 2708009

Dimensional drawing



Classifications

eCl@ss

| | |
|---------------|----------|
| eCl@ss 10.0.1 | 27182702 |
| eCl@ss 4.0 | 27180400 |
| eCl@ss 4.1 | 27180400 |
| eCl@ss 5.0 | 27180500 |
| eCl@ss 5.1 | 27180500 |
| eCl@ss 6.0 | 27180800 |
| eCl@ss 7.0 | 27182702 |
| eCl@ss 8.0 | 27182702 |
| eCl@ss 9.0 | 27182702 |

Mounting base housing - ME 22,5 SF-UT GN - 2708009

Classifications

ETIM

| | |
|----------|----------|
| ETIM 2.0 | EC001031 |
| ETIM 3.0 | EC001031 |
| ETIM 4.0 | EC001031 |
| ETIM 5.0 | EC001031 |
| ETIM 6.0 | EC001031 |
| ETIM 7.0 | EC001031 |

UNSPSC

| | |
|---------------|----------|
| UNSPSC 6.01 | 31261501 |
| UNSPSC 7.0901 | 31261501 |
| UNSPSC 11 | 31261501 |
| UNSPSC 12.01 | 31261501 |
| UNSPSC 13.2 | 31261501 |
| UNSPSC 18.0 | 31261501 |
| UNSPSC 19.0 | 31261501 |
| UNSPSC 20.0 | 31261501 |
| UNSPSC 21.0 | 31261501 |

Approvals

Approvals

Approvals

EAC

Ex Approvals

Approval details

| | | |
|-----|---|---------|
| EAC |  | B.01687 |
|-----|---|---------|

Accessories

Accessories

Device marking

Mounting base housing - ME 22,5 SF-UT GN - 2708009

Accessories

Label for ME ... SF-UT ... housing - EML (29X29)R-ME - 0828172



Label for ME ... SF-UT ... housing, Roll, white, unlabeled, can be labeled with: THERMOMARK ROLLMASTER 300/600, THERMOMARK X1.2, THERMOMARK ROLL X1, THERMOMARK ROLL 2.0, THERMOMARK ROLL, mounting type: adhesive, lettering field size: 29 x 29 mm, Number of individual labels: 2000

Mounting material

PCB stop - ME LPZS - 2906911



DIN rail housing, PCB stop, color: silver

PCB stop - ME LPZS - 2906911



DIN rail housing, PCB stop, color: silver

Shield connection clamp - ME-SAS - 2853899



Shield connection clamp for printed circuit terminal block

Necessary add-on products

Upper part of housing - ME 22,5 OT-1MSTBO GN - 2709558



DIN rail housing, Upper housing part for connectors with header, width: 22.6 mm, height: 99 mm, depth: 45.85 mm, color: green (6021)

Mounting base housing - ME 22,5 SF-UT GN - 2708009

Accessories

Upper part of housing - ME 22,5 OT-MSTBO GN - 2907169



DIN rail housing, Upper housing part for connectors with header, width: 22.6 mm, height: 99 mm, depth: 45.85 mm, color: green (6021)

Upper part of housing - ME 22,5 OT-MKDSO GN - 2907172



DIN rail housing, Upper housing part for PCB terminal blocks with screw connection, width: 22.6 mm, height: 99 mm, depth: 45.85 mm, color: green (6021)

Upper part of housing - ME 22,5 OTU-MKDSO GN - 2278966



DIN rail housing, Upper housing part for PCB terminal blocks with screw connection, width: 22.6 mm, height: 99 mm, depth: 45.85 mm, color: green (6021)

Upper part of housing - ME 22,5 OT-3MSTBO GN - 2735962



DIN rail housing, Upper housing part for connectors with header, width: 22.6 mm, height: 102 mm, depth: 60.15 mm, color: green (6021)

Upper part of housing - ME 22,5 OT-MKDSO SET - 2907473



DIN rail housing, Set consisting of upper housing part and connection technology, width: 22.6 mm, height: 99 mm, depth: 45.85 mm, color: green (6021)

Mounting base housing - ME 22,5 SF-UT GN - 2708009

Accessories

Upper part of housing - ME 22,5 OT-3MSTBO SET - 2707767

DIN rail housing, Set consisting of upper housing part and connection technology, width: 22.6 mm, height: 102 mm, depth: 60.15 mm, color: green (6021)



Upper part of housing - ME 22,5 OT-1MSTBO SET - 2707741

DIN rail housing, Set consisting of upper housing part and connection technology, width: 22.6 mm, height: 99 mm, depth: 45.85 mm, color: green (6021)



Upper part of housing - ME 22,5 OT-MSTBO SET - 2907444

DIN rail housing, Set consisting of upper housing part and connection technology, width: 22.6 mm, height: 99 mm, depth: 45.85 mm, color: green (6021)



Upper part of housing - ME 22,5 OTP-MSTBO PS GN - 2200424

DIN rail housing, Upper housing part for connectors with header, width: 22.6 mm, height: 99 mm, depth: 45.85 mm, color: green (6021)



X-ON Electronics

Largest Supplier of Electrical and Electronic Components

Click to view similar products for [Enclosures, Boxes & Cases](#) *category:*

Click to view products by [Phoenix Contact](#) *manufacturer:*

Other Similar products are found below :

[585-R-WH-PK](#) [M-10-PLATED](#) [60221-01](#) [60566-01-000](#) [HPL-9VB BATT DOOR](#) [M18-PLTD](#) [M-21-PLATED](#) [63310-01-000](#) [6711GSKT](#)
[71884-29-028](#) [LH45-100 Black](#) [72868-510-000](#) [CNS-0000 Black](#) [72883-510-000](#) [CNS-0101 Black](#) [72906-510-000](#) [CNS-0407 Black](#) [73092-](#)
[510-000](#) [CNM-0101 Black](#) [73105-510-000](#) [CNL-0101 Black](#) [73108-510-000](#) [CNL-0303 Black](#) [73395-510-039](#) [CNS-0006 Bone](#) [74257-510-000](#)
[CNL-0004](#) [MDC-1183-PLAIN-ALUM](#) [MDC-1183-PTD](#) [MDC-13104-PTD](#) [MDC-321-PTD](#) [MDC-973-PTD](#) [76](#) [77153-01-028](#) [FLX6030](#)
[83535-01-508](#) [90026-501-000](#) [PS36-200](#) [116-508](#) [120-407](#) [120-910](#) [127-908](#) [130-008](#) [1301170079](#) [1322GSKTEP](#) [1325GSKT3](#) [1434-1210](#)
[EAS-500 \(BLACK ANO\)](#) [1804RP-RB-PK](#) [190-005](#) [2202307](#) [KAB3321 BLACK](#) [KAB3421](#) [2697466](#) [S52213](#) [2901123](#) [2901699](#) [A0645271](#)
[A20P20](#) [2106-IR](#) [PERF-850-PLN](#)