

Inline terminal - IB IL 400 BR - 2727394

Please be informed that the data shown in this PDF Document is generated from our Online Catalog. Please find the complete data in the user's documentation. Our General Terms of Use for Downloads are valid (<http://phoenixcontact.com/download>)



Inline extension module, for brake control in conjunction with Inline power level terminals, brake module for 440 V DC or 440 V AC brakes

Product Description

The brake module is a passive, electronic brake control switch which can be snapped on the power-level terminal block using a 3-pos. inverted COMBICON plug.

The connection to the brake is made using a 2-pos. COMBICON plug with a connection cross section of up to 2.5 mm².

Your advantages

- Connection option for an external passive brake module
- Hand-held operator panel mode
- Integrated electronic motor protection in accordance with IEC 60947-4
- Diagnostic and status indicators
- Safe isolation between mains voltage and 24 V supply voltage according to EN 50178
- Motor control via OUT process data
- Motor current monitoring

Key Commercial Data

Packing unit	1 pc
GTIN	
GTIN	4017918168469

Technical data

Note

Utilization restriction	EMC: class A product, see manufacturer's declaration in the download area
-------------------------	---

Dimensions

Width	55 mm
Height	57 mm
Depth	16 mm

Ambient conditions

Degree of protection	IP20
Ambient temperature (operation)	-25 °C ... 55 °C (permitted)

Inline terminal - IB IL 400 BR - 2727394

Technical data

Ambient conditions

Ambient temperature (storage/transport)	-25 °C ... 85 °C (permitted)
Permissible humidity (operation)	75 % ... 85 % (75% average, 85% seldom)
Permissible humidity (storage/transport)	75 % ... 85 % (75% average, 85% seldom)
Air pressure (operation)	80 kPa ... 106 kPa (up to 2000 m above sea level)
Air pressure (storage/transport)	70 kPa ... 106 kPa (up to 3000 m above sea level)

General

Protection class	I (MЭК 61140, EN 61140, VDE 0140-1)
Weight	91 g

Electrical isolation

Test section	24 V supply (U _s), GND, brake control/protective earth ground (PE) 500 V AC 50 Hz 1 min.
	24 V supply (U _s), GND, brake control/brake output 500 V AC 50 Hz 1 min.
	Brake output/protective earth ground (PE) 500 V AC 50 Hz 1 min.

Brake module

Connection name	Connection to the power-level terminal block
Connection method	3-pos. COMBICON
Control voltage	24 V DC (= U _s from the power-level terminal block)
Control current	17 mA
Active current limitation	Through resistor

Brake to be connected

Connection name	Connection of the brake to the brake module
Connection method	COMBICON connectors
Cross section	2.5 mm ² (maximum conductor cross section)
Protective circuit	Surge voltage suppression > 750 V
Type of contact	Unpolarized semiconductor switch
Connection voltage	20 V AC ... 440 V AC (no tolerances permitted)
	12 V DC ... 440 V DC (no tolerances permitted)
Residual voltage	3.4 V (maximum)

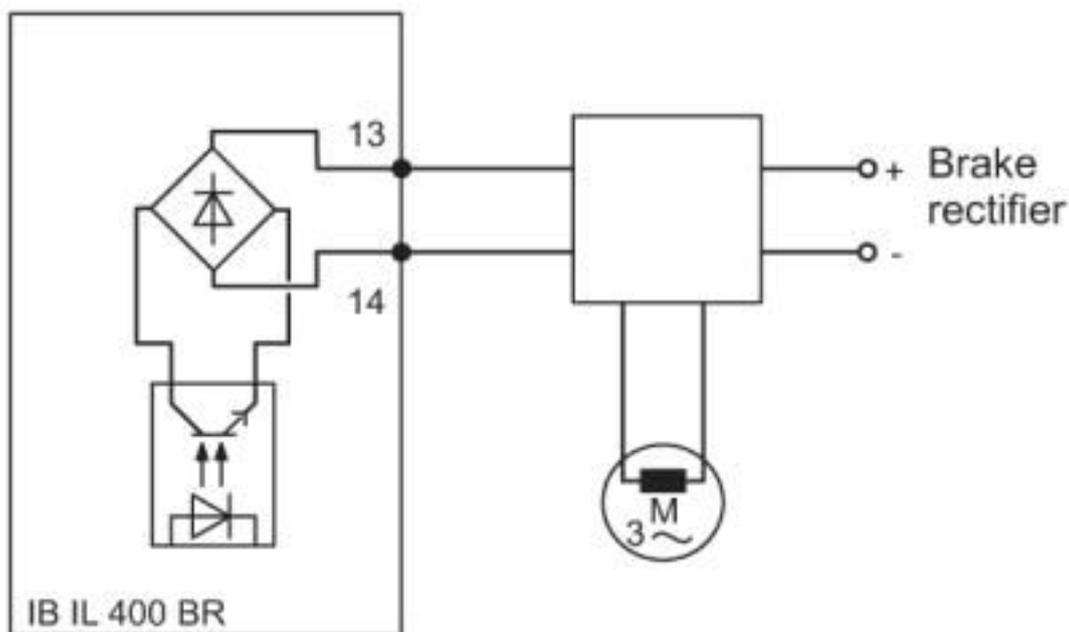
Environmental Product Compliance

REACH SVHC	Lead 7439-92-1
China RoHS	Environmentally Friendly Use Period = 50 years
	For details about hazardous substances go to tab "Downloads", Category "Manufacturer's declaration"

Drawings

Inline terminal - IB IL 400 BR - 2727394

Connection diagram



Classifications

eCl@ss

eCl@ss 10.0.1	27242609
eCl@ss 4.0	27250300
eCl@ss 4.1	27250300
eCl@ss 5.0	27250300
eCl@ss 5.1	27242600
eCl@ss 6.0	27242600
eCl@ss 7.0	27242609
eCl@ss 8.0	27242609
eCl@ss 9.0	27242609

ETIM

ETIM 2.0	EC001433
ETIM 3.0	EC001601
ETIM 4.0	EC001601
ETIM 5.0	EC001605
ETIM 6.0	EC001605
ETIM 7.0	EC001605

UNSPSC

UNSPSC 6.01	43172015
UNSPSC 7.0901	43201404
UNSPSC 11	43172015

Inline terminal - IB IL 400 BR - 2727394

Classifications

UNSPSC

UNSPSC 12.01	43201404
UNSPSC 13.2	32151602
UNSPSC 18.0	32151602
UNSPSC 19.0	32151602
UNSPSC 20.0	32151602
UNSPSC 21.0	32151602

Approvals

Approvals

Approvals

EAC

Ex Approvals

Approval details

EAC		EAC-Zulassung
-----	---	---------------

Phoenix Contact 2020 © - all rights reserved
<http://www.phoenixcontact.com>

PHOENIX CONTACT GmbH & Co. KG
Flachsmarktstr. 8
32825 Blomberg
Germany
Tel. +49 5235 300
Fax +49 5235 3 41200
<http://www.phoenixcontact.com>

X-ON Electronics

Largest Supplier of Electrical and Electronic Components

Click to view similar products for [I/O Modules](#) category:

Click to view products by [Phoenix Contact](#) manufacturer:

Other Similar products are found below :

[70L-IDC5S](#) [70L-OAC-L](#) [70Z3289-4](#) [G21960000700](#) [G21960002700](#) [G34960002700](#) [G88104401](#) [OACU](#) [C4SWOUT](#) [PB16H](#)
[G34960001700](#) [G3TA-OA101SZ-1](#) [DC24](#) [G77-S](#) [G78-16-E](#) [5607189](#) [DA5](#) [ODC-24A](#) [IDC5P](#) [FC6A-N16B1](#) [6421](#) [70MRCQ32-HL](#)
[G3TAOD201SDC24](#) [C200H-LK201-V1](#) [G3TA-OA202SZ-US](#) [DC12](#) [GT1-OD16](#) [GT1-AD04CST](#) [B7AM-6BS](#) [70GRCQ24-HS](#) [6422](#)
[84110410](#) [GT1-OD16MX](#) [G7VC-OC16-B7](#) [70MRCK24-DIN](#) [6202](#) [6402](#) [PI/NI-2D/24](#) [FC6A-J2C1](#) [FC6A-KC1C](#) [FC6A-R081](#) [FC6A-](#)
[J8CU1](#) [GP32900003700](#) [641-480-5022](#) [PB16H](#) [84145010](#) [84110210](#) [FRUSB1601](#) [PCL-720+-BE](#) [FRRJ451601](#) [AP24MX3DB25F](#) [ADAM-](#)
[5053S-AE](#)