

Distributed I/O device - FLS IB M12 DIO 4/4 M12-2A - 2736026

Please be informed that the data shown in this PDF Document is generated from our Online Catalog. Please find the complete data in the user's documentation. Our General Terms of Use for Downloads are valid (<http://phoenixcontact.com/download>)



The stand-alone device for INTERBUS has 4 digital inputs and 4 digital outputs each with a load capacity of 2 A. The M12 connection is established using fast connection technology. The 24 V DC supply is protected against short circuit and overload.

Product Description


This device is used for digital signal acquisition and output.

Your advantages

- Flexible power supply concept
- Short-circuit and overload protection
- SPEEDCON fast locking system
- Diagnostic and status indicators
- Consistent connection via M12 connectors



Key Commercial Data

Packing unit	1 pc
GTIN	 4 017918 899646
GTIN	4017918899646

Technical data

Note

Utilization restriction	EMC: class A product, see manufacturer's declaration in the download area
-------------------------	---

Dimensions

Caption	Dimensions of the module
Width	60 mm
Height	178 mm
Depth	49.3 mm
Drill hole spacing	168 mm

Ambient conditions

Distributed I/O device - FLS IB M12 DIO 4/4 M12-2A - 2736026

Technical data

Ambient conditions

Ambient temperature (operation)	-25 °C ... 60 °C
Ambient temperature (storage/transport)	-25 °C ... 85 °C
Permissible humidity (storage/transport)	95 %
Air pressure (operation)	80 kPa ... 106 kPa (up to 2000 m above sea level)
Air pressure (storage/transport)	70 kPa ... 106 kPa (up to 3000 m above sea level)
Degree of protection	IP65/IP67

General

Mounting type	Wall mounting
Net weight	340 g

Interfaces

Designation	INTERBUS
Connection method	2x M12 connectors, B-coded
Designation connection point	Copper cable
Transmission speed	500 kbps
Number of positions	5

Power supply for module electronics

Connection method	M12 connector, (A-coded)
Designation	U _L
Supply voltage	24 V DC
Supply voltage range	18 V DC ... 30 V DC (including ripple)

Fieldline potentials

Voltage supply U _L	24 V DC
Power supply at U _L	max. 4 A
Current consumption from U _L	typ. 60 mA
	max. 100 mA
Voltage supply U _S	24 V DC
Power supply at U _S	max. 4 A
Current consumption from U _S	typ. 10 mA (plus sensor current)
	max. 500 mA
Voltage supply U _{A11}	24 V DC
Power supply at U _{A11}	max. 4 A
Current consumption at U _{A11}	typ. 6 mA (plus actuator current)
	max. 4 A
Voltage supply U _{A12}	24 V DC
Power supply at U _{A12}	max. 4 A
Current consumption at U _{A12}	typ. 6 mA (plus actuator current)
	max. 4 A

Digital inputs

Distributed I/O device - FLS IB M12 DIO 4/4 M12-2A - 2736026

Technical data

Digital inputs

Input name	Digital inputs
Description of the input	IEC 61131-2 type 1
Connection method	M12 connector
Connection technology	2, 3, 4-wire
Number of inputs	4
Protective circuit	Reverse polarity protection
Nominal input voltage U_{IN}	24 V DC
Nominal input current at U_{IN}	5 mA
Filter time	3 ms
Input voltage	24 V DC
Input voltage range "0" signal	-30 V DC ... 5 V DC
Input voltage range "1" signal	13 V DC ... 30 V DC

Digital outputs

Output name	Digital outputs
Connection method	M12 connector
Connection technology	2, 3-wire
Number of outputs	4
Protective circuit	Short-circuit protection
Output voltage	24 V DC
Maximum output current per channel	2 A
Nominal load, inductive	48 VA (1,2 H, 12 Ω)
Nominal load, lamp	48 W
Nominal load, ohmic	48 W
Output current when switched off	max. 20 μ A
Behavior with overload	Auto restart
Behavior with inductive overload	Output can be destroyed

Electrical isolation

Test section	24 V supply (bus logics) / FE 500 V AC 50 Hz 1 s
	24 V supply (bus logics) / Digital inputs (sensor supply / I/O) 500 V AC 50 Hz 1 s
	24 V supply (bus logics) / Digital outputs (actuator supply) 500 V AC 50 Hz 1 s
	24 V supply (bus logics) / Incoming remote bus 500 V AC 50 Hz 1 s
	24 V supply (bus logics) / Outgoing remote bus 500 V AC 50 Hz 1 s
	Digital inputs (sensor supply / I/O) / FE 500 V AC 50 Hz 1 s
	Digital inputs (sensor supply) / Digital outputs (actuator supply) 500 V AC 50 Hz 1 s
	Digital inputs (sensor supply / I/O) / Incoming remote bus 500 V AC 50 Hz 1 s
	Digital inputs (sensor supply / I/O) / Outgoing remote bus 500 V AC 50 Hz 1 s

Distributed I/O device - FLS IB M12 DIO 4/4 M12-2A - 2736026

Technical data

Electrical isolation

	Digital outputs (actuator supply) / FE 500 V AC 50 Hz 1 s
	Digital outputs (actuator supply) / Incoming remote bus 500 V AC 50 Hz 1 s
	Incoming remote bus / FE 500 V AC 50 Hz 1 s
	Incoming remote bus / Outgoing remote bus 500 V AC 50 Hz 1 s
	Outgoing remote bus / FE 500 V AC 50 Hz 1 s
	Outgoing remote bus / FE 500 V AC 50 Hz 1 s

Standards and Regulations

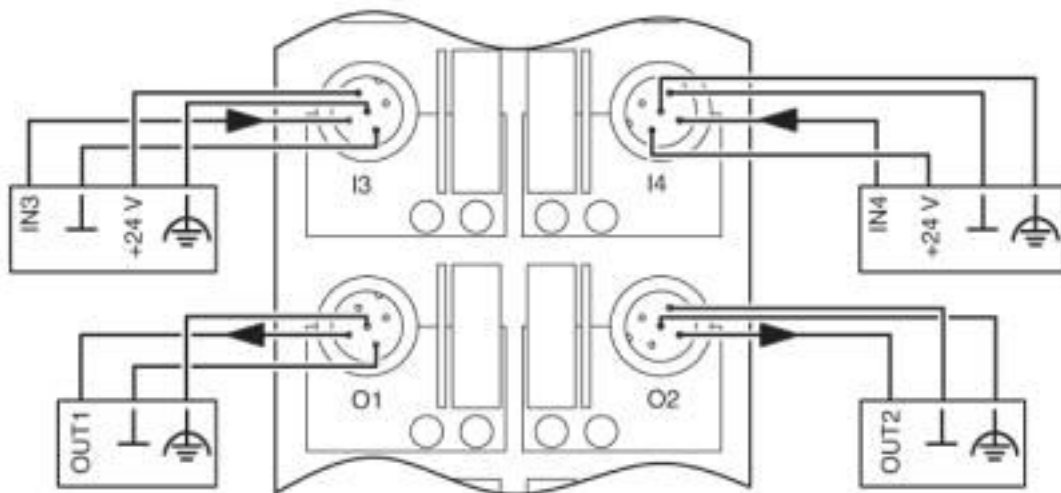
Connection in acc. with standard	CUL
Protection class	III (IEC 61140, EN 61140, VDE 0140-1)

Environmental Product Compliance

REACH SVHC	Lead 7439-92-1
China RoHS	Environmentally Friendly Use Period = 50 years
	For details about hazardous substances go to tab "Downloads", Category "Manufacturer's declaration"

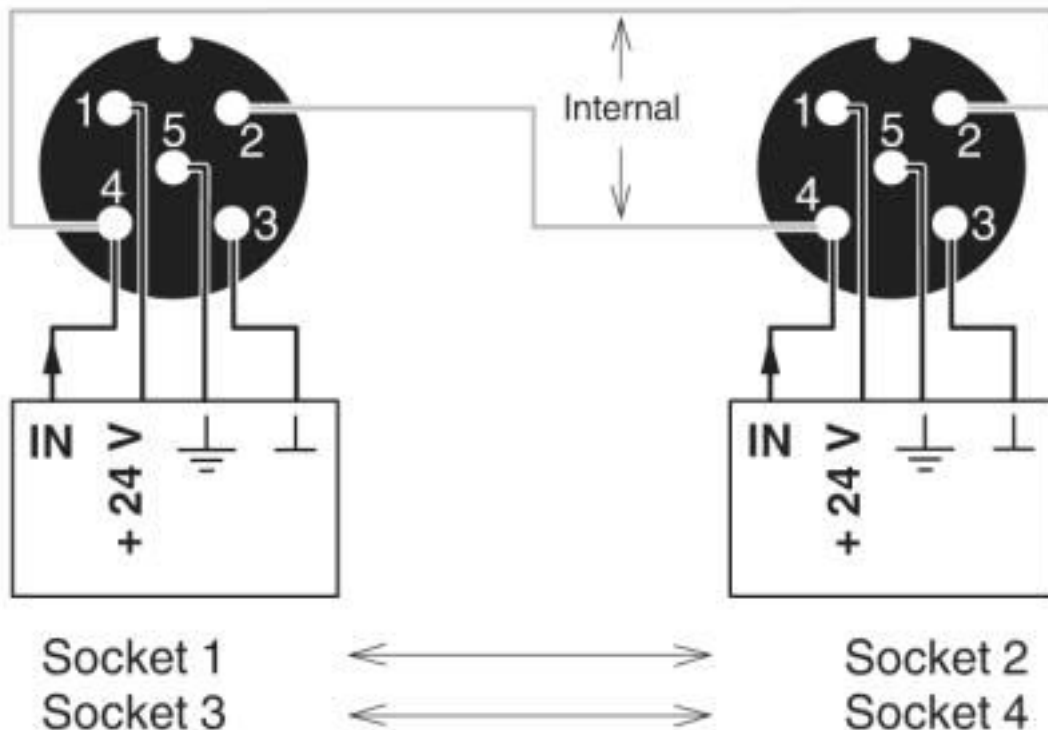
Drawings

Connection diagram



Distributed I/O device - FLS IB M12 DIO 4/4 M12-2A - 2736026

Connection diagram



Classifications

eCl@ss

eCl@ss 10.0.1	27242604
eCl@ss 4.0	27250300
eCl@ss 4.1	27250300
eCl@ss 5.0	27250300
eCl@ss 5.1	27242600
eCl@ss 6.0	27242600
eCl@ss 7.0	27242604
eCl@ss 8.0	27242604
eCl@ss 9.0	27242604

ETIM

ETIM 2.0	EC001430
ETIM 3.0	EC001599
ETIM 4.0	EC001599
ETIM 5.0	EC001599
ETIM 6.0	EC001599
ETIM 7.0	EC001599

Distributed I/O device - FLS IB M12 DIO 4/4 M12-2A - 2736026

Classifications

UNSPSC

UNSPSC 6.01	43172015
UNSPSC 7.0901	43201404
UNSPSC 11	43172015
UNSPSC 12.01	43201404
UNSPSC 13.2	32151602
UNSPSC 18.0	32151602
UNSPSC 19.0	32151602
UNSPSC 20.0	32151602
UNSPSC 21.0	32151602

Approvals

Approvals


Approvals


UL Recognized / cUL Recognized / INTERBUS CLUB / EAC / cULus Recognized

Ex Approvals

UL Recognized / cUL Recognized / cULus Recognized


Approval details

UL Recognized		http://database.ul.com/cgi-bin/XYV/template/LISEXT/1FRAME/index.htm	FILE E 140324
---------------	---	---	---------------

cUL Recognized		http://database.ul.com/cgi-bin/XYV/template/LISEXT/1FRAME/index.htm	FILE E 140324
----------------	---	---	---------------

INTERBUS CLUB	379/25.10.02
---------------	--------------

EAC		EAC-Zulassung
-----	---	---------------

cULus Recognized	
------------------	---

Distributed I/O device - FLS IB M12 DIO 4/4 M12-2A - 2736026

Accessories

Accessories

Circular connector (cable-side)

Data connector - SACC-M12MSB-5CON-PG9 SH AU - 1507764



Data connector, PROFIBUS, INTERBUS, 5-position, shielded, Plug straight M12, Coding: B, Screw connection, knurl material: Zinc die-cast, nickel-plated, cable gland Pg9, external cable diameter 6.5 mm ... 8.5 mm

Data connector - SACC-M12FSB-5CON-PG9 SH AU - 1507777



Data connector, PROFIBUS, INTERBUS, 5-position, shielded, Socket straight M12, Coding: B, Screw connection, knurl material: Zinc die-cast, nickel-plated, cable gland Pg9, external cable diameter 6.5 mm ... 8.5 mm

Data cable preassembled

Bus system cable - SAC-5P-M12MSB/ 2,0-900 - 1507065



Bus system cable, INTERBUS (16 Mbps), 5-position, PUR halogen-free, may green RAL 6017, shielded, Plug straight M12, coding: B, on free cable end, cable length: 2 m

Bus system cable - SAC-5P-M12MSB/ 5,0-900 - 1507078



Bus system cable, INTERBUS (16 Mbps), 5-position, PUR halogen-free, may green RAL 6017, shielded, Plug straight M12, coding: B, on free cable end, cable length: 5 m

Bus system cable - SAC-5P-M12MSB/10,0-900 - 1507081



Bus system cable, INTERBUS (16 Mbps), 5-position, PUR halogen-free, may green RAL 6017, shielded, Plug straight M12, coding: B, on free cable end, cable length: 10 m

Distributed I/O device - FLS IB M12 DIO 4/4 M12-2A - 2736026

Accessories

Bus system cable - SAC-5P-M12MSB/15,0-900 - 1507094



Bus system cable, INTERBUS (16 Mbps), 5-position, PUR halogen-free, may green RAL 6017, shielded, Plug straight M12, coding: B, on free cable end, cable length: 15 m

Bus system cable - SAC-5P- 2,0-900/M12FSB - 1507117



Bus system cable, INTERBUS (16 Mbps), 5-position, PUR halogen-free, may green RAL 6017, shielded, free cable end, on Socket straight M12, coding: B, cable length: 2 m

Bus system cable - SAC-5P- 5,0-900/M12FSB - 1507120



Bus system cable, INTERBUS (16 Mbps), 5-position, PUR halogen-free, may green RAL 6017, shielded, free cable end, on Socket straight M12, coding: B, cable length: 5 m

Bus system cable - SAC-5P-10,0-900/M12FSB - 1507133



Bus system cable, INTERBUS (16 Mbps), 5-position, PUR halogen-free, may green RAL 6017, shielded, free cable end, on Socket straight M12, coding: B, cable length: 10 m

Bus system cable - SAC-5P-15,0-900/M12FSB - 1507146



Bus system cable, INTERBUS (16 Mbps), 5-position, PUR halogen-free, may green RAL 6017, shielded, free cable end, on Socket straight M12, coding: B, cable length: 15 m

Distributed I/O device - FLS IB M12 DIO 4/4 M12-2A - 2736026

Accessories

Bus system cable - SAC-5P-M12MSB/ 0,3-900/M12FSB - 1507162



Bus system cable, INTERBUS (16 Mbps), 5-position, PUR halogen-free, may green RAL 6017, shielded, Plug straight M12, coding: B, on Socket straight M12, coding: B, cable length: 0.3 m

Bus system cable - SAC-5P-M12MSB/ 0,5-900/M12FSB - 1507175



Bus system cable, INTERBUS (16 Mbps), 5-position, PUR halogen-free, may green RAL 6017, shielded, Plug straight M12, coding: B, on Socket straight M12, coding: B, cable length: 0.5 m

Bus system cable - SAC-5P-M12MSB/ 1,0-900/M12FSB - 1507188



Bus system cable, INTERBUS (16 Mbps), 5-position, PUR halogen-free, may green RAL 6017, shielded, Plug straight M12, coding: B, on Socket straight M12, coding: B, cable length: 1 m

Bus system cable - SAC-5P-M12MSB/ 2,0-900/M12FSB - 1507191



Bus system cable, INTERBUS (16 Mbps), 5-position, PUR halogen-free, may green RAL 6017, shielded, Plug straight M12, coding: B, on Socket straight M12, coding: B, cable length: 2 m

Bus system cable - SAC-5P-M12MSB/ 5,0-900/M12FSB - 1507201



Bus system cable, INTERBUS (16 Mbps), 5-position, PUR halogen-free, may green RAL 6017, shielded, Plug straight M12, coding: B, on Socket straight M12, coding: B, cable length: 5 m

Distributed I/O device - FLS IB M12 DIO 4/4 M12-2A - 2736026

Accessories

Bus system cable - SAC-5P-M12MSB/10,0-900/M12FSB - 1507214



Bus system cable, INTERBUS (16 Mbps), 5-position, PUR halogen-free, may green RAL 6017, shielded, Plug straight M12, coding: B, on Socket straight M12, coding: B, cable length: 10 m

Bus system cable - SAC-5P-M12MSB/15,0-900/M12FSB - 1507227



Bus system cable, INTERBUS (16 Mbps), 5-position, PUR halogen-free, may green RAL 6017, shielded, Plug straight M12, coding: B, on Socket straight M12, coding: B, cable length: 15 m

Device marking

Zack marker strip - ZBN 18:UNBEDRUCKT - 2809128



Zack marker strip, Strip, white, unlabeled, can be labeled with: CMS-P1-PLOTTER, PLOTMARK, mounting type: snap into tall marker groove, for terminal block width: 18 mm, lettering field size: 18 x 5 mm, Number of individual labels: 5

Distributor with cable

Sensor/actuator cable - SAC-4P-M12Y/2X0,3-PUR/M12FS VP - 1510722



Sensor/actuator cable, 4-position, PUR halogen-free, black-gray RAL 7021, Plug straight M12, coding: A, on Socket straight M12, coding: A and Socket straight M12, coding: A, cable length: 0.3 m, Parallel distributor

Sensor/actuator cable

Sensor/actuator cable - SAC-4P-M12MS/ 2,0-186 - 1509445



Sensor/actuator cable, 4-position, PUR, black-gray RAL 7021, Plug straight M12, coding: A, on free cable end, cable length: 2 m

Distributed I/O device - FLS IB M12 DIO 4/4 M12-2A - 2736026

Accessories

Sensor/actuator cable - SAC-4P-M12MS/ 5,0-186 - 1509458



Sensor/actuator cable, 4-position, PUR, black-gray RAL 7021, Plug straight M12, coding: A, on free cable end, cable length: 5 m

Sensor/actuator cable - SAC-4P-M12MS/10,0-186 - 1509461



Sensor/actuator cable, 4-position, PUR, black-gray RAL 7021, Plug straight M12, coding: A, on free cable end, cable length: 10 m

Sensor/actuator cable - SAC-4P-M12MS/15,0-186 - 1509474



Sensor/actuator cable, 4-position, PUR, black-gray RAL 7021, Plug straight M12, coding: A, on free cable end, cable length: 15 m

Sensor/actuator cable - SAC-4P- 2,0-186/M12FS - 1509487



Sensor/actuator cable, 4-position, PUR, black-gray RAL 7021, free cable end, on Socket straight M12, coding: A, cable length: 2 m

Sensor/actuator cable - SAC-4P- 5,0-186/M12FS - 1509490



Sensor/actuator cable, 4-position, PUR, black-gray RAL 7021, free cable end, on Socket straight M12, coding: A, cable length: 5 m

Distributed I/O device - FLS IB M12 DIO 4/4 M12-2A - 2736026

Accessories

Sensor/actuator cable - SAC-4P-10,0-186/M12FS - 1509500



Sensor/actuator cable, 4-position, PUR, black-gray RAL 7021, free cable end, on Socket straight M12, coding: A, cable length: 10 m

Sensor/actuator cable - SAC-4P-15,0-186/M12FS - 1509513



Sensor/actuator cable, 4-position, PUR, black-gray RAL 7021, free cable end, on Socket straight M12, coding: A, cable length: 15 m

Sensor/actuator cable - SAC-4P-M12MS/ 0,3-186/M12FS - 1509526



Sensor/actuator cable, 4-position, PUR, black-gray RAL 7021, Plug straight M12, coding: A, on Socket straight M12, coding: A, cable length: 0.3 m

Sensor/actuator cable - SAC-4P-M12MS/ 0,5-186/M12FS - 1509539



Sensor/actuator cable, 4-position, PUR, black-gray RAL 7021, Plug straight M12, coding: A, on Socket straight M12, coding: A, cable length: 0.5 m

Sensor/actuator cable - SAC-4P-M12MS/ 1,0-186/M12FS - 1509542



Sensor/actuator cable, 4-position, PUR, black-gray RAL 7021, Plug straight M12, coding: A, on Socket straight M12, coding: A, cable length: 1 m

Distributed I/O device - FLS IB M12 DIO 4/4 M12-2A - 2736026

Accessories

Sensor/actuator cable - SAC-4P-M12MS/ 2,0-186/M12FS - 1509555



Sensor/actuator cable, 4-position, PUR, black-gray RAL 7021, Plug straight M12, coding: A, on Socket straight M12, coding: A, cable length: 2 m

Sensor/actuator cable - SAC-4P-M12MS/ 5,0-186/M12FS - 1509568



Sensor/actuator cable, 4-position, PUR, black-gray RAL 7021, Plug straight M12, coding: A, on Socket straight M12, coding: A, cable length: 5 m

Sensor/actuator cable - SAC-4P-M12MS/10,0-186/M12FS - 1509571



Sensor/actuator cable, 4-position, PUR, black-gray RAL 7021, Plug straight M12, coding: A, on Socket straight M12, coding: A, cable length: 10 m

Sensor/actuator cable - SAC-4P-M12MS/15,0-186/M12FS - 1509584



Sensor/actuator cable, 4-position, PUR, black-gray RAL 7021, Plug straight M12, coding: A, on Socket straight M12, coding: A, cable length: 15 m

Terminal marking

Zack Marker strip, flat - ZBF 12:UNBEDRUCKT - 0809735



Zack Marker strip, flat, Strip, white, unlabeled, can be labeled with: PLOTMARK, CMS-P1-PLOTTER, mounting type: snap into flat marker groove, for terminal block width: 12 mm, lettering field size: 5.15 x 12.15 mm, Number of individual labels: 5

Distributed I/O device - FLS IB M12 DIO 4/4 M12-2A - 2736026

Accessories

User manual - FLS FLM SYS INST UM - 2698834

User Manual, German, for installing Fieldline devices



Phoenix Contact 2020 © - all rights reserved
<http://www.phoenixcontact.com>

PHOENIX CONTACT GmbH & Co. KG
Flachsmarktstr. 8
32825 Blomberg
Germany
Tel. +49 5235 300
Fax +49 5235 3 41200
<http://www.phoenixcontact.com>

X-ON Electronics

Largest Supplier of Electrical and Electronic Components

Click to view similar products for [I/O Modules](#) category:

Click to view products by [Phoenix Contact](#) manufacturer:

Other Similar products are found below :

[70L-IDC5S](#) [70L-OAC-L](#) [70Z3289-4](#) [G21960000700](#) [G21960002700](#) [G34960002700](#) [G88104401](#) [OACU](#) [C4SWOUT](#) [PB16H](#)
[G34960001700](#) [G3TA-OA101SZ-1](#) [DC24](#) [G77-S](#) [G78-16-E](#) [5607189](#) [DA5](#) [ODC-24A](#) [IDC5P](#) [FC6A-N16B1](#) [6421](#) [70MRCQ32-HL](#)
[G3TAOD201SDC24](#) [C200H-LK201-V1](#) [G3TA-OA202SZ-US](#) [DC12](#) [GT1-OD16](#) [GT1-AD04CST](#) [B7AM-6BS](#) [70GRCQ24-HS](#) [6422](#)
[84110410](#) [GT1-OD16MX](#) [G7VC-OC16-B7](#) [70MRCK24-DIN](#) [6202](#) [6402](#) [PI/NI-2D/24](#) [FC6A-J2C1](#) [FC6A-KC1C](#) [FC6A-R081](#) [FC6A-](#)
[J8CU1](#) [GP32900003700](#) [641-480-5022](#) [PB16H](#) [84145010](#) [84110210](#) [FRUSB1601](#) [PCL-720+-BE](#) [FRRJ451601](#) [AP24MX3DB25F](#) [ADAM-](#)
[5053S-AE](#)