

Interface converter - PSM-EG-RS232/RS422-P/4K - 2761266

Please be informed that the data shown in this PDF Document is generated from our Online Catalog. Please find the complete data in the user's documentation. Our General Terms of Use for Downloads are valid (<http://phoenixcontact.com/download>)




Interface converter, for converting RS-232 (V.24) to RS-422 (V.11), with electrical isolation, 4 channels, rail-mountable

Your advantages

- RS-422 4-wire point-to-point operation
- Transmission speed of up to 64 kbps
- High-quality 3-way isolation between power supply, RS-232, and RS-422 for safe electrical isolation of potentials with 2.5 kV
- Integrated surge protection with transient discharge to the DIN rail
- As an alternative, data cables can be connected via D-SUB plugs or plug-in screw terminal blocks



Key Commercial Data

Packing unit	1 pc
GTIN	 4 017918 064631
GTIN	4017918064631

Technical data

Note

Utilization restriction	EMC: class A product, see manufacturer's declaration in the download area
-------------------------	---------------------------------------------------------------------------

Dimensions

Width	45 mm
Height	75 mm
Depth	110 mm

Ambient conditions

Ambient temperature (operation)	0 °C ... 50 °C
Noise immunity	EN 50 082-2

General

Transmission channels	4 (2/2), RxD, TxD, RTS, CTS; full duplex
Bit delay	≤ 3 μs
Bit distortion	≤ 5 %

Interface converter - PSM-EG-RS232/RS422-P/4K - 2761266

Technical data

General

Electrical isolation	VCC // V.24 (RS-232) // RS-422
Test voltage data interfaces	2.5 kV AC
Test voltage data interface/power supply	2.5 kV AC
	2.5 kV
Electromagnetic compatibility	Conformance with EMC Directive 2014/30/EU
Noise emission	EN 50 081-1
Net weight	250.08 g
Housing material	ABS
Color	green
MTBF	1045 Years (Telcordia standard, 25°C temperature, 21% operating cycle (5 days a week, 8 hours a day))
	223 Years (Telcordia standard, 40°C temperature, 34.25% operating cycle (5 days a week, 12 hours a day))

Power supply

Supply voltage range	19.2 V DC ... 28.8 V DC
Typical current consumption	130 mA (24 V DC)

Interfaces

Interface 1	V.24 (RS-232) interface in acc. with ITU-T V.28, EIA/TIA-232, DIN 66259-1
Connection method	D-SUB 9 plug
	Pluggable screw connection
Transmission length	15 m (twisted pair)
Conductor cross section flexible min.	0.2 mm ²
Conductor cross section flexible max.	2.5 mm ²
Conductor cross section AWG min.	24
Conductor cross section AWG max.	13
Serial transmission speed	64 kbps
Interface 2	RS-422 interface in acc. with ITU-T V.11, EIA/TIA-422, DIN 66348-1
Connection method	D-SUB-15 male connector
	Pluggable screw connection
Transmission length	1200 m (twisted pair)
Termination resistor	510 Ω
	150 Ω
	510 Ω (Can be connected)
Conductor cross section flexible min.	0.2 mm ²
Conductor cross section flexible max.	2.5 mm ²
Conductor cross section AWG min.	24
Conductor cross section AWG max.	13
Serial transmission speed	64 kbps

Conformance/approvals

Interface converter - PSM-EG-RS232/RS422-P/4K - 2761266

Technical data

Conformance/approvals

Designation	EAC
Identification	EAC
Designation	UL, USA/Canada
Identification	508 Recognized

Standards and Regulations

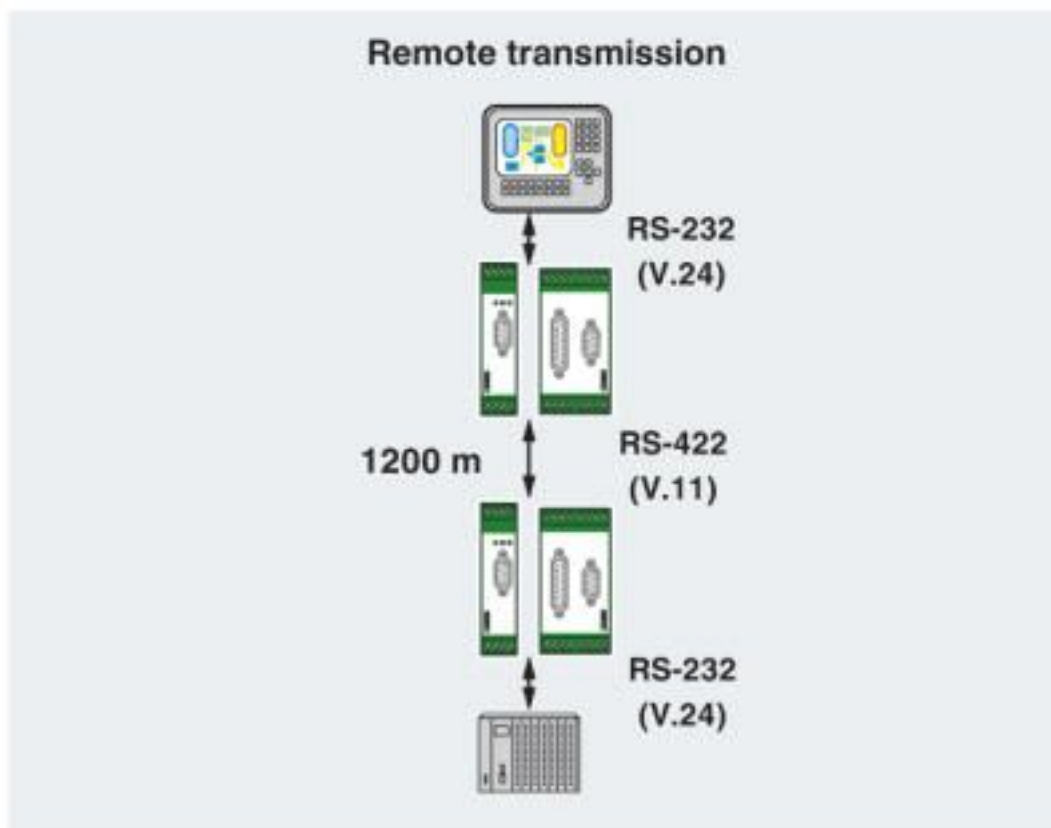
Electromagnetic compatibility	Conformance with EMC Directive 2014/30/EU
Noise emission	EN 50 081-1
Noise immunity	EN 50 082-2
Connection in acc. with standard	CUL

Environmental Product Compliance

REACH SVHC	Lead 7439-92-1
China RoHS	Environmentally Friendly Use Period = 50 years
	For details about hazardous substances go to tab "Downloads", Category "Manufacturer's declaration"

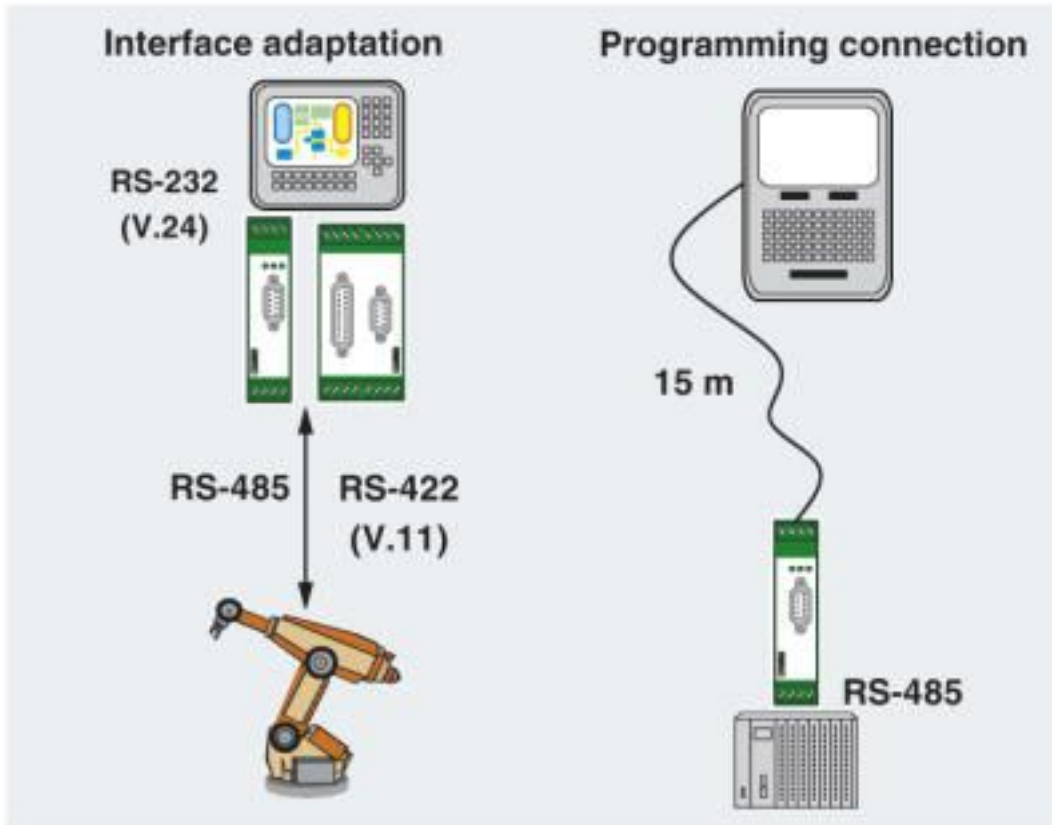
Drawings

Application drawing



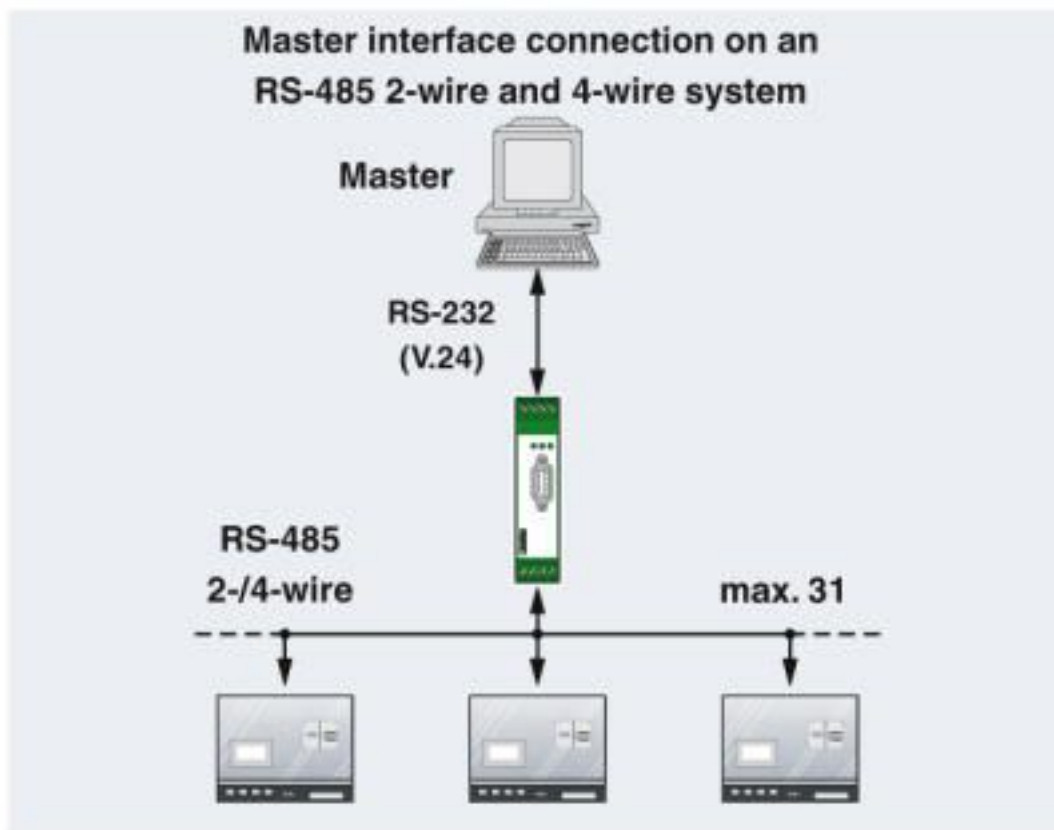
Interface converter - PSM-EG-RS232/RS422-P/4K - 2761266

Application drawing



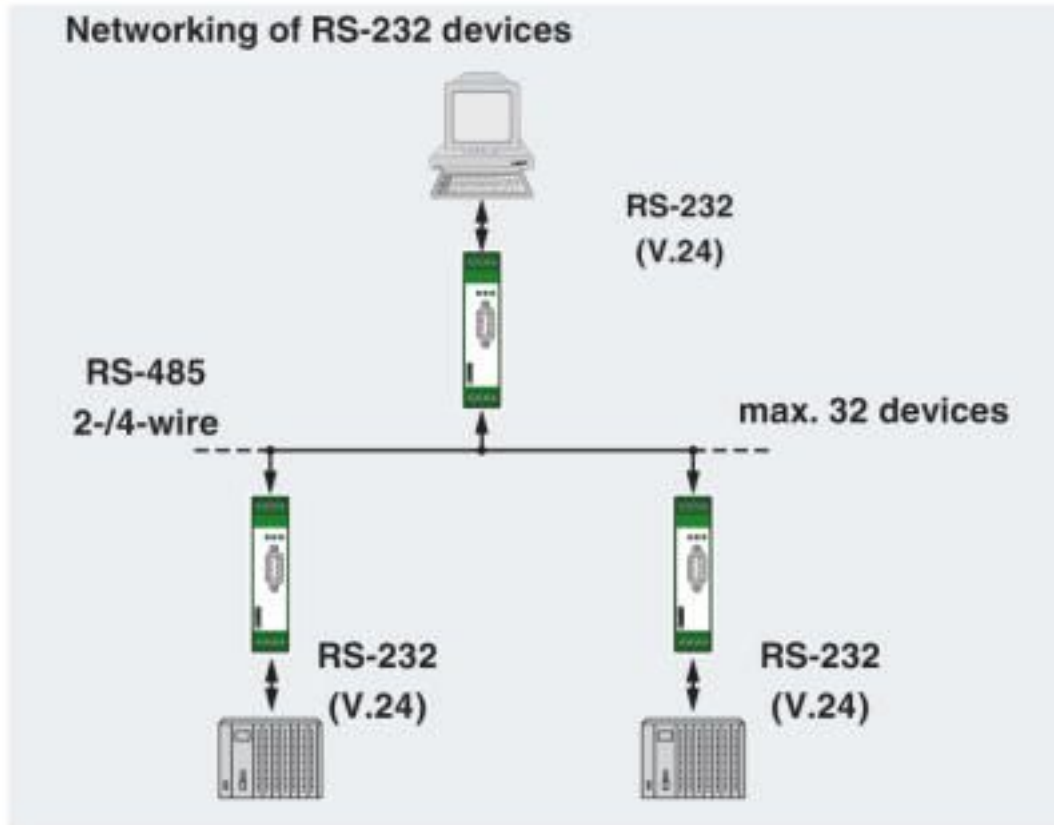
Interface converter - PSM-EG-RS232/RS422-P/4K - 2761266

Application drawing



Interface converter - PSM-EG-RS232/RS422-P/4K - 2761266

Application drawing



Classifications

eCl@ss

eCl@ss 10.0.1	19179290
eCl@ss 4.0	27250300
eCl@ss 4.1	27250300
eCl@ss 5.0	27242200
eCl@ss 5.1	27242200
eCl@ss 6.0	19179200
eCl@ss 7.0	19179290
eCl@ss 8.0	19179290
eCl@ss 9.0	19179290

ETIM

ETIM 2.0	EC000310
ETIM 3.0	EC000310
ETIM 4.0	EC000310
ETIM 5.0	EC000310
ETIM 6.0	EC000310

Interface converter - PSM-EG-RS232/RS422-P/4K - 2761266

Classifications

ETIM

ETIM 7.0	EC000310
----------	----------

UNSPSC

UNSPSC 6.01	30211506
UNSPSC 7.0901	39121008
UNSPSC 11	39121008
UNSPSC 12.01	39121008
UNSPSC 13.2	43222604
UNSPSC 18.0	43222604
UNSPSC 19.0	43222604
UNSPSC 20.0	43222604
UNSPSC 21.0	43222604

Approvals

Approvals

Approvals

UL Recognized / cUL Recognized / EAC / EAC / cULus Recognized

Ex Approvals

Approval details

UL Recognized		http://database.ul.com/cgi-bin/XYV/template/LISEXT/1FRAME/index.htm	FILE E 238705
---------------	--	-------------------------------------------------------------------------------------------------------------------------------------------------------	---------------

cUL Recognized		http://database.ul.com/cgi-bin/XYV/template/LISEXT/1FRAME/index.htm	FILE E 238705
----------------	--	-------------------------------------------------------------------------------------------------------------------------------------------------------	---------------

EAC		EAC-Zulassung
-----	--	---------------

EAC		RU *- DE.A*30.B.01735
-----	--	--------------------------

Interface converter - PSM-EG-RS232/RS422-P/4K - 2761266

Approvals

cULus Recognized



Accessories

Accessories

Adapter cable

Data cable - PSM-KA9SUB9/BB/2METER - 2799474



RS-232 cable, 9-pos. D-SUB socket on 9-pos. D-SUB socket, 9-wire, 1:1

Data plug

D-SUB bus connector - SUBCON 9/M-SH - 2761509



D-SUB connector, 9-pos., male connector, one cable entry < 35°, universal type for all systems, pin assignment: 1, 2, 3, 4, 5, 6, 7, 8, 9 to screw connection terminal block

Interface converter

Interface converter - PSM-ME-RS232/RS485-P - 2744416



Interface converter, for converting RS-232 (V.24) to RS-422 (V.11) and RS-485, with electrical isolation, 2 channels, rail-mountable

Mounting material

Shield connection clamp - ME-SAS - 2853899



Shield connection clamp for printed circuit terminal block

Interface converter - PSM-EG-RS232/RS422-P/4K - 2761266

Accessories

Screwdriver tools

Screwdriver - SZF 1-0,6X3,5 - 1204517



Actuation tool, for ST terminal blocks, also suitable for use as a bladed screwdriver, size: 0.6 x 3.5 x 100 mm, 2-component grip, with non-slip grip

Phoenix Contact 2020 © - all rights reserved
<http://www.phoenixcontact.com>

PHOENIX CONTACT GmbH & Co. KG
Flachsmarktstr. 8
32825 Blomberg
Germany
Tel. +49 5235 300
Fax +49 5235 3 41200
<http://www.phoenixcontact.com>

X-ON Electronics

Largest Supplier of Electrical and Electronic Components

Click to view similar products for [Terminal Block Interface Modules](#) category:

Click to view products by [Phoenix Contact](#) manufacturer:

Other Similar products are found below :

[73-551-6002I](#) [GCN1MX25B](#) [DIN-50P-01](#) [DIN-68H-01](#) [DIN-96DI-01](#) [2291901](#) [2295185](#) [2907794](#) [2M10FCL](#) [FLKM-2I/O](#) [FLKM-4I/O](#)
[2281759](#) [2906251](#) [2907808](#) [5601749](#) [5541962](#) [1776613-1](#) [GCN1-004A](#) [ADAM-3920R-AE](#) [060-6827-06](#) [2311030](#) [2287708](#) [XW2C-20G6-](#)
[IO16](#) [GCN1-T](#) [MACX](#) [MCR-VAC](#) [5775235](#) [ADAM-3956-BE](#) [XW6T-COM2.5X20YL](#) [XW6T-COM1.5X8BL](#) [XW6T-COM1.5X16BL](#)
[XW6T-COM1.5X20YL](#) [XW6T-COM1.5X16YL](#) [XW6T-COM1.5X20RD](#) [XW6T-COM1.5X20BL](#) [XW6T-COM2.5X8BL](#) [1976610000](#) [UM](#)
[45-D50SUB/B/ZFKDS](#) [5541234](#) [410-261](#) [2906243](#) [2906915](#) [2907706](#) [ADAM-3909-AE](#) [ADAM-3920-AE](#) [ADAM-3925-AE](#) [ADAM-3937-](#)
[BE](#) [ADAM-3950-AE](#) [ADAM-3951-BE](#) [ADAM-3968-AE](#) [ADAM-3968/50-AE](#)