

## Surge protection device - C-UB/E - 2763701

Please be informed that the data shown in this PDF Document is generated from our Online Catalog. Please find the complete data in the user's documentation. Our General Terms of Use for Downloads are valid (<http://phoenixcontact.com/download>)



Attachment plug with surge protection, for coaxial signal interfaces with floating shield. Connection: BNC socket/plug



### Key Commercial Data

Packing unit	10 pc
GTIN	
GTIN	4017918065638

### Technical data

#### Dimensions

Height	25.4 mm
Width	25.4 mm
Depth	80 mm

#### Ambient conditions

Ambient temperature (operation)	-40 °C ... 80 °C
Altitude	≤ 2000 m (amsl (above mean sea level))
Degree of protection	IP20

#### General

Housing material	Aluminum
Mounting type	Connection-specific intermediate plugging
Type	Attachment plug
Direction of action	Line-Shield/Earth Ground

#### Additional descriptions

Note	To meet the discharge conditions for DC voltages, please note the following information: "The surge protective device should be used together with a transmitter unit, which shuts down in the event of a short-circuit."
------	---

# Surge protection device - C-UB/E - 2763701

## Technical data

### Protective circuit

IEC test classification	C2
	C3
	D1
Maximum continuous voltage $U_c$	180 V DC
	130 V AC
Rated current	3.5 A (25 °C)
Operating effective current $I_c$ at $U_c$	$\leq 1 \mu A$
Residual current $I_{PE}$	$\leq 2 \mu A$
Nominal discharge current $I_n$ (8/20) $\mu s$ (line-earth)	5 kA
Nominal discharge current $I_n$ (8/20) $\mu s$ (line-shield)	5 kA
Nominal discharge current $I_n$ (8/20) $\mu s$ (shield-earth)	5 kA
Pulse discharge current $I_{imp}$ (10/350) $\mu s$ (line-earth)	2.5 kA
Pulse discharge current $I_{imp}$ (10/350) $\mu s$ (line-shield)	2.5 kA
Total discharge current $I_{total}$ (8/20) $\mu s$	10 kA
Output voltage limitation at 1 kV/ $\mu s$ (line-earth) spike	$\leq 470 V$
Output voltage limitation at 1 kV/ $\mu s$ (line-shield) spike	$\leq 590 V$
Output voltage limitation at 1 kV/ $\mu s$ (shield-earth) spike	$\leq 470 V$
Output voltage limitation at 1 kV/ $\mu s$ (line-earth) static	$\leq 33 V$
Output voltage limitation at 1 kV/ $\mu s$ (line-shield) static	$\leq 33 V$
Output voltage limitation at 1 kV/ $\mu s$ (shield-earth) static	$\leq 33 V$
Residual voltage at $I_n$ (line-earth)	$\leq 160 V$ (1.5 m cable)
Residual voltage at $I_n$ (line-shield)	$\leq 55 V$
Residual voltage at $I_n$ (shield-earth)	$\leq 160 V$ (1.5 m cable)
Voltage protection level $U_p$ (line-earth)	$\leq 500 V$ (C2 - 10 kV / 5 kA)
Voltage protection level $U_p$ (line-shield)	$\leq 700 V$ (C2 - 10 kV / 5 kA)
Voltage protection level $U_p$ (shield-earth)	$\leq 500 V$ (C2 - 10 kV / 5 kA)
Response time $t_A$	$\leq 100 ns$
Input attenuation aE, asym.	typ. 0.1 dB ( $\leq 100 MHz/50 \Omega$ )
Cut-off frequency $f_g$ (3 dB), asym. (shield) in 50 Ohm system	typ. 1 GHz
Standing wave ratio SWR in a 50 $\Omega$ system	typ. 1.3 ( $\leq 150 MHz$ )
Permissible HF power $P_{max}$ at VSWR = xx (50 ohm system)	300 W (VSWR = 1.1)
	80 W (VSWR = $\infty$ )
Capacity asymmetrical (shield)	typ. 6 pF
Surge protection fault message	none
Impulse durability (line-earth)	C2 - 10 kV / 5 kA
	C3 - 100 A
	D1 - 2.5 kA
Impulse durability (line-shield)	C2 - 10 kV/5 kA
	C3 - 100 A
	D1 - 2.5 kA

## Surge protection device - C-UB/E - 2763701

### Technical data

#### Connection data

Connection method	BNC 50 $\Omega$
Connection method IN	BNC socket
Connection method OUT	BNC plug

#### Connection, equipotential bonding

Connection method	PVC litz wire
-------------------	---------------

#### Standards and Regulations

Standards/specifications	IEC 61643-21 2012
	EN 61643-21 2013

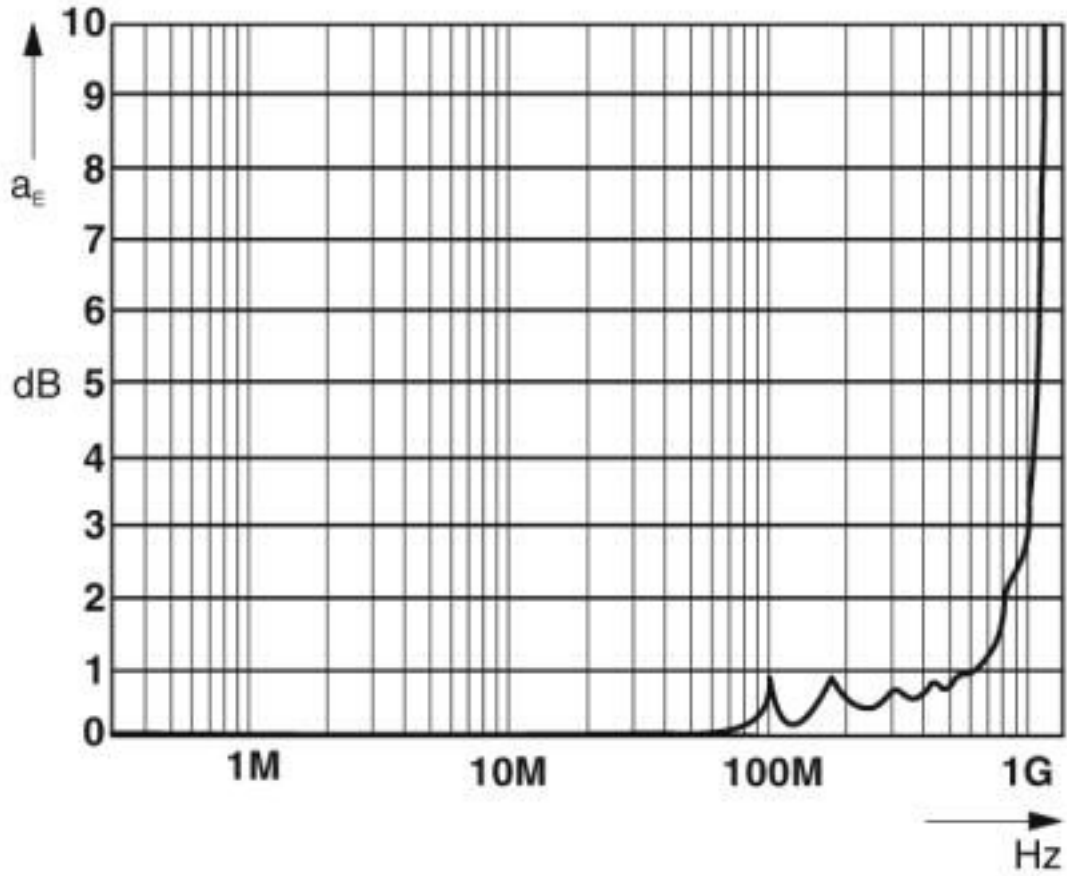
#### Environmental Product Compliance

China RoHS	Environmentally Friendly Use Period = 50 years
	For details about hazardous substances go to tab "Downloads", Category "Manufacturer's declaration"

### Drawings

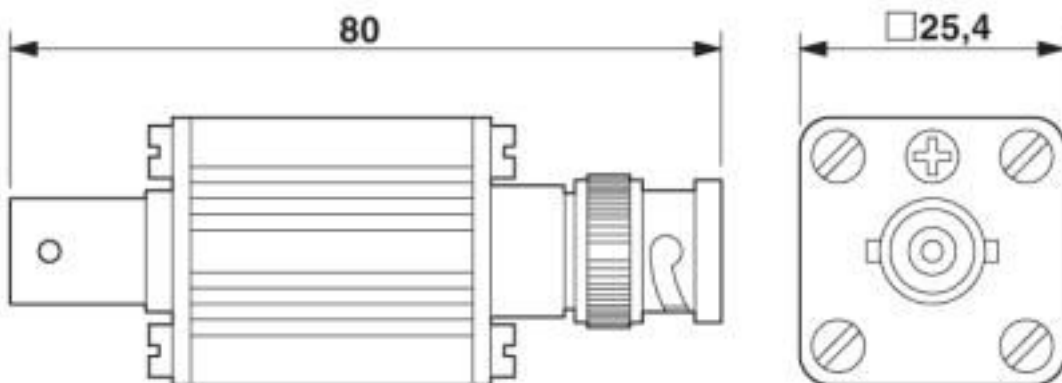
# Surge protection device - C-UB/E - 2763701

Diagram



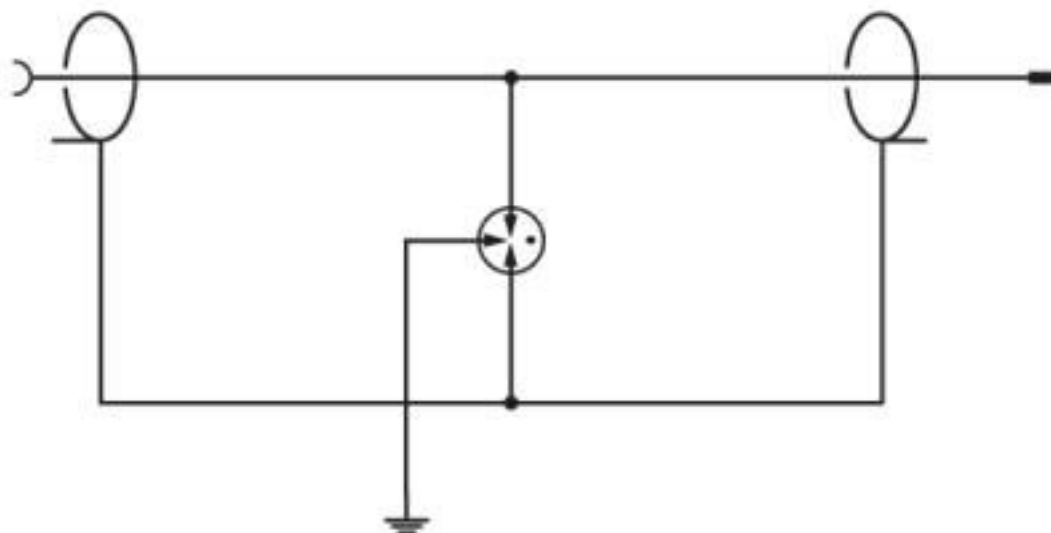
The figure shows the asymmetrical characteristic curve for 50

Dimensional drawing



# Surge protection device - C-UB/E - 2763701

Circuit diagram



## Classifications

### eCl@ss

eCl@ss 10.0.1	27130807
eCl@ss 4.0	27130800
eCl@ss 4.1	27130800
eCl@ss 5.0	27130800
eCl@ss 5.1	27130800
eCl@ss 6.0	27130800
eCl@ss 7.0	27130807
eCl@ss 8.0	27130807
eCl@ss 9.0	27130807

### ETIM

ETIM 2.0	EC000943
ETIM 3.0	EC000943
ETIM 4.0	EC000943
ETIM 5.0	EC000943
ETIM 6.0	EC000943
ETIM 7.0	EC000943

### UNSPSC

UNSPSC 6.01	30212010
UNSPSC 7.0901	39121610
UNSPSC 11	39121610
UNSPSC 12.01	39121610
UNSPSC 13.2	39121620

# Surge protection device - C-UB/E - 2763701

## Classifications

### UNSPSC

UNSPSC 18.0	39121620
UNSPSC 19.0	39121620
UNSPSC 20.0	39121620
UNSPSC 21.0	39121620

## Approvals

### Approvals

Approvals

EAC / EAC

Ex Approvals

### Approval details

EAC		EAC-Zulassung
-----	--	---------------

EAC		RU C- DE.*09.B.00169
-----	--	-------------------------

## Accessories

### Accessories

#### Flange coupling

Connector/Adapter - BNC-V 50 - 2805041



BNC connector, single-level, for mounting on NS 32 or NS 35/7.5, wave impedance: 50 Ohm

## Surge protection device - C-UB/E - 2763701

### Accessories

Connector/Adapter - BNC-DV 50 - 2805038



BNC connector, double-level, for mounting on NS 32 or NS 35/7.5, wave impedance: 50 Ohm

---

Phoenix Contact 2020 © - all rights reserved  
<http://www.phoenixcontact.com>

PHOENIX CONTACT GmbH & Co. KG  
Flachsmarktstr. 8  
32825 Blomberg  
Germany  
Tel. +49 5235 300  
Fax +49 5235 3 41200  
<http://www.phoenixcontact.com>

## X-ON Electronics

Largest Supplier of Electrical and Electronic Components

*Click to view similar products for [Surge Suppressors](#) category:*

*Click to view products by [Phoenix Contact](#) manufacturer:*

Other Similar products are found below :

[GUS1](#) [GUS12](#) [BSPM1A600D600LVR](#) [2800521](#) [29-2053](#) [GUS11](#) [GUS2](#) [GUS3](#) [GUS4](#) [30460](#) [SRA64C060X](#) [PC642C015](#) [1810-15-A3](#)  
[2713175](#) [4B06B-EC1-150LF](#) [SRA6LC](#) [BPMA75D100LV](#) [CX06M](#) [CCTV1](#) [GUS13](#) [GUS14](#) [GUS5](#) [GUS6](#) [VAL-MS 320/3+0-FM](#) [VAL-US-](#)  
[120/40/1+1-FM](#) [VAL-US-120/65/1+1-FM](#) [VAL-US-480D/30/3+0-FM](#) [VAL-US-120/40/1+0-FM](#) [STCHSP121BT1RU](#) [LP-BFDN-CW](#) [LP-](#)  
[STRL-NFF](#) [LP-STRL-DFE](#) [GUS22](#) [0804111](#) [5053609](#) [5053201](#) [SPD2-150-1P0](#) [SPD2-550-1P0](#) [6720005416](#) [6720005417](#) [1-2191595-2](#)  
[STC-CAT6-P0E-I](#) [SPD2-350-1P0](#) [FLT-CP-350-ST](#) [TTC-6P-3-HF-F-M-12DC-UT-I](#) [SMTPA200](#) [2800989](#) [2906776](#) [2906810](#) [2906847](#)