

## Limit value switches - MCR-SWS-U - 2766465

Please be informed that the data shown in this PDF Document is generated from our Online Catalog. Please find the complete data in the user's documentation. Our General Terms of Use for Downloads are valid (<http://phoenixcontact.com/download>)



MCR threshold value switches, with adjustable hysteresis and relay/transistor output, input signal 0..10 V

### Your advantages

- Adjustable hysteresis
- Monitoring of three signal states
- Relay/transistor output
- Limit value indication
- 0 ... 10 V or 0 ... 20 mA input



### Key Commercial Data

Packing unit	1 pc
GTIN	
GTIN	4017918066710

### Technical data

#### Note

Utilization restriction	EMC: class A product, see manufacturer's declaration in the download area
-------------------------	---

#### Dimensions

Width	17.5 mm
Height	99 mm
Depth	114.5 mm

#### Ambient conditions

Ambient temperature (operation)	-20 °C ... 65 °C
---------------------------------	------------------

#### Input data

Description of the input	Voltage input
--------------------------	---------------

# Limit value switches - MCR-SWS-U - 2766465

## Technical data

### Input data

Voltage input signal	0 V ... 10 V
max. input voltage	11 V
Input resistance of voltage input	≥ 100 kΩ
Min setting range of the voltage threshold value	0 V ... 10 V
Setting range of the hysteresis	0.1 V ... 10 V (setting accuracy: ± 30 mV)
Internal hysteresis	± 30 mV (around the lower/upper switching point)
Setting option	Setting potentiometer, scaled 270° potentiometer

### Switching output

Output name	Transistor output, pnp
Number of outputs	3
Output voltage range	20 V DC ... 30 V DC
Continuous load current	100 mA
Output name	Relay output
Contact type	1 PDT
Contact material	AgNi 0,15 + HTV (hard gold-plated)
Maximum switching voltage	250 V AC (30 V DC)
Max. switching current	2 A
Mechanical service life	10 <sup>7</sup> cycles
Status display	LED

### Power supply

Supply voltage range	20 V DC ... 30 V DC
Max. current consumption	typ. 60 mA

### Connection data

Connection method	Pluggable screw connection
Conductor cross section solid min.	0.2 mm <sup>2</sup>
Conductor cross section solid max.	2.5 mm <sup>2</sup>
Conductor cross section AWG min.	24
Conductor cross section AWG max.	14
Conductor cross section flexible min.	0.2 mm <sup>2</sup>
Conductor cross section flexible max.	2.5 mm <sup>2</sup>
Stripping length	8 mm
Screw thread	M3

### General

No. of channels	1
Maximum temperature coefficient	≤ 0.02 %/K
Step response (10-90%)	< 25 ms
Color	green
Housing material	Polyamide PA non-reinforced
Mounting position	any

# Limit value switches - MCR-SWS-U - 2766465

## Technical data

### General

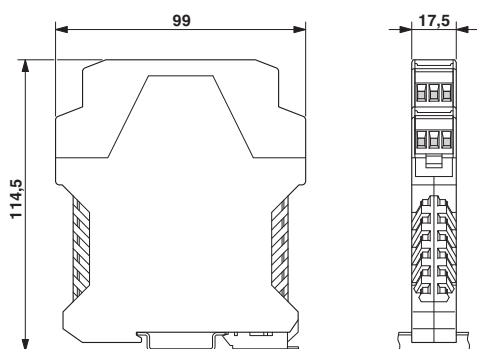
Conformance	CE-compliant
UL, USA/Canada	UL 508 Recognized

### Standards and Regulations

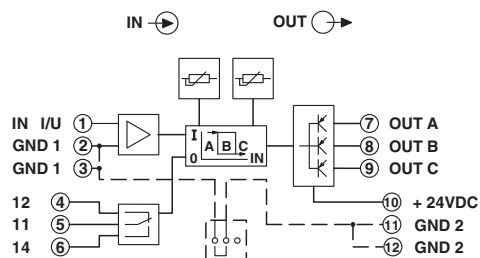
Connection in acc. with standard	CUL
Conformance	CE-compliant
UL, USA/Canada	UL 508 Recognized

## Drawings

Dimensional drawing



Circuit diagram



## X-ON Electronics

Largest Supplier of Electrical and Electronic Components

*Click to view similar products for [Basic / Snap Action Switches](#) category:*

*Click to view products by [Phoenix Contact](#) manufacturer:*

Other Similar products are found below :

[5SM901-S12](#) [5SM9-S12N195](#) [602EN532](#) [602EN535-RB](#) [602HE5-RB1](#) [604HE162](#) [604HE223-6B](#) [624HE17-RB](#) [6HM82](#) [6HM89](#) [6SE1](#)  
[6SX1-H58](#) [70500216](#) [70599106](#) [MBD5B1](#) [MBH2731](#) [73-316-0012](#) [EXD-AR20](#) [79211923](#) [79218589](#) [7AS12](#)  
[MIL30126AB6BBMD4A12XAU](#) [ML-1155](#) [ML-1376](#) [831010C3.0](#) [831090C2.EL](#) [83131904](#) [84212012](#) [8AS239](#) [8HM73-3](#) [8SX26-H33](#)  
[914CE1-6G](#) [PL-100](#) [11SM1077-H4](#) [11SM1077-H58](#) [11SM1-TN107](#) [11SM405](#) [11SM8423-H2](#) [11SX37-T](#) [11SX48-H58](#) [11SM2442-T](#)  
[11SM76-T](#) [11SM77-H58](#) [11SM77-T](#) [11SM863-T](#) [11SM866](#) [A7CN-1M-1-LEFT](#) [A831700C7.0](#) [121EN187-R](#) [121EN188-R](#)